

**RoHS
Compliant**



Features

- Surface mount buzzer with small dimensions – 4mm × 4mm × 2mm
- Operating voltage 2-4Vp-p
- Reflow solderable but not washable
- Sound output from the top of the device
- Requires additional circuitry to generate sound

Specifications

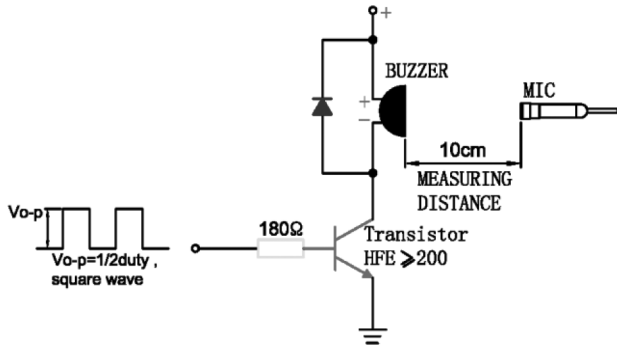
Rated Voltage (Square Wave)	: 3 Vp-p
Operating Voltage	: 2-4 Vp-p
*Rated Current (Max)	: 90 mA
*Min Sound Output at 10cm	: 70 dB
*Resonant Frequency	: 4000 Hz
Coil Resistance	: 17 ±3Ω
Operating Temperature	: -40°C to +85°C
Storage Temperature	: -40°C to +85°C
Weight	: 0.1g
Housing Material	: LCP
Lead Pin Material	: Brass

Environmental Test

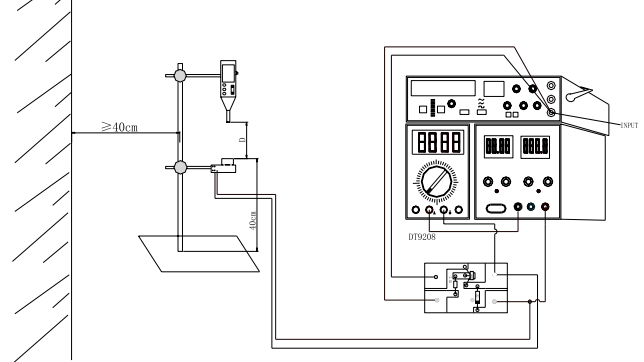
Item	Specifications
Storage in High temp.	Storage in +85°C±2°C test box for 96 hours, then expose to the room temperature for 2 hours without applying power.
Storage in Low temp.	Storage in -40°C±2°C test box for 96 hours, then expose to the room temperature for 2 hours without applying power.
Storage in Low temp.	Storage in +40°C±2°C 90-95%RH test box for 96 hours, then expose to the room temperature for 2 hours without applying power.
Thermal cycle test.	<p>Make this test for 5 cycles without applying power, then expose to the room temperature for 2 hours.</p>
Vibration test	<p>Make this test for the directions of X, Y, Z for 2 hours each (total 6 hours).</p>
Drop test	Free drop a unit from the height 100cm to the surface of 10mm thick board, three directions(X,Y,Z).
Solderability test	Soldering temp.:260 ±5°C Heat applying time: 3 ±0.5sec.

Surface Mount Buzzer

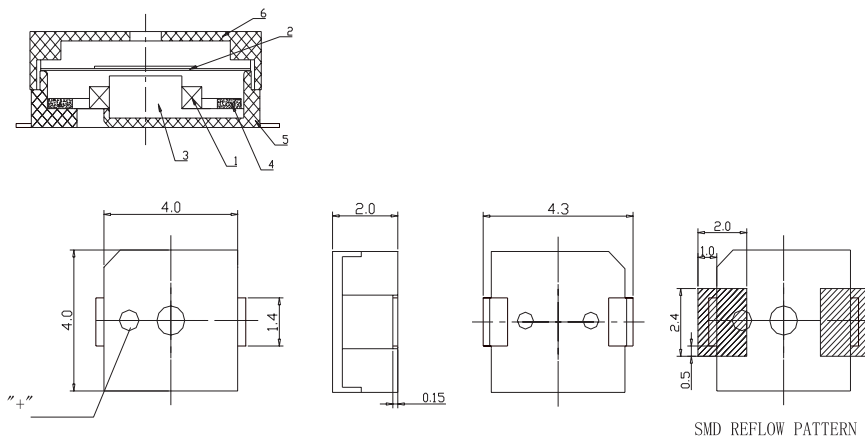
Standard Drive Circuit



Standard test fixture



Diagram



SMD REFLOW PATTERN

Cadmium (Cd) / Cndmium Compounds	$\leq 100\text{ppm}$
Lead (Pb) / Lead Compounds	$\leq 800\text{ppm}$
Mercury (Hg) Mercury Compounds	$\leq 800\text{ppm}$
Hexavalent-Chromium (Cr6+) Compounds	$\leq 800\text{ppm}$
PBB	$\leq 800\text{ppm}$
PBDE	$\leq 800\text{ppm}$

Dimensions : Millimetres

Material Specification

No.	Part Name	Q'ty	Material
1	Coil Part	1	Copper Iron
2	Diaphragm		Iron
3	Iron		Ferrite
4	Core		LCP
5	Case		
6	Cover		

Part Number Table

Description	Part Number
Surface Mount Buzzer, 70 dB	MCABT-475-RC

Important Notice : This data sheet and its contents (the "Information") belong to the members of the AVNET group of companies (the "Group") or are licensed to it. No licence is granted for the use of it other than for information purposes in connection with the products to which it relates. No licence of any intellectual property rights is granted. The Information is subject to change without notice and replaces all data sheets previously supplied. The Information supplied is believed to be accurate but the Group assumes no responsibility for its accuracy or completeness, any error in or omission from it or for any use made of it. Users of this data sheet should check for themselves the Information and the suitability of the products for their purpose and not make any assumptions based on information included or omitted. Liability for loss or damage resulting from any reliance on the Information or use of it (including liability resulting from negligence or where the Group was aware of the possibility of such loss or damage arising) is excluded. This will not operate to limit or restrict the Group's liability for death or personal injury resulting from its negligence. Multicomp Pro is the registered trademark of Premier Farnell Limited 2019.