

**RoHS
Compliant**



Features

- Piezo buzzer with PCB pins
- Operating voltage 1-25Vp-p
- High operating temperature up to 105°C
- Diameter 17mm
- Requires additional circuitry to generate sound

Specifications

Rated Voltage (Square Wave)	: 3 Vp-p
Operating Voltage	: 3-25 Vp-p
*Rated Current (Max)	: 5mA
*Min Sound Output at 2.0kHz/10cm	: 70 dB
*Resonant Frequency	: 2000 Hz
Capacitance at 1KHz	: 25000±30%pF
Operating Temperature	: -40°C to +105°C
Storage Temperature	: -40°C to +105°C
Weight	: 1g
Housing Material	: Black PBT
Lead Pin Material	: Phosphor Bronze (DSn)
Tone Nature	: Single

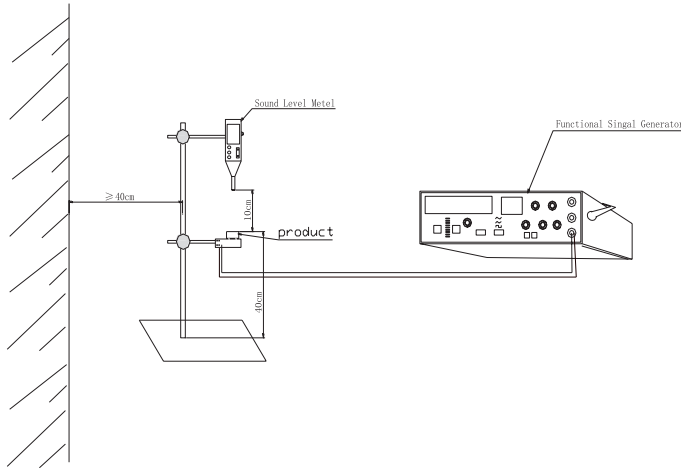
*Value Applying at Rated Voltage (resonant frequency, 1/2 duty, square wave)

Requires additional electronic circuitry to operate as a sounder.

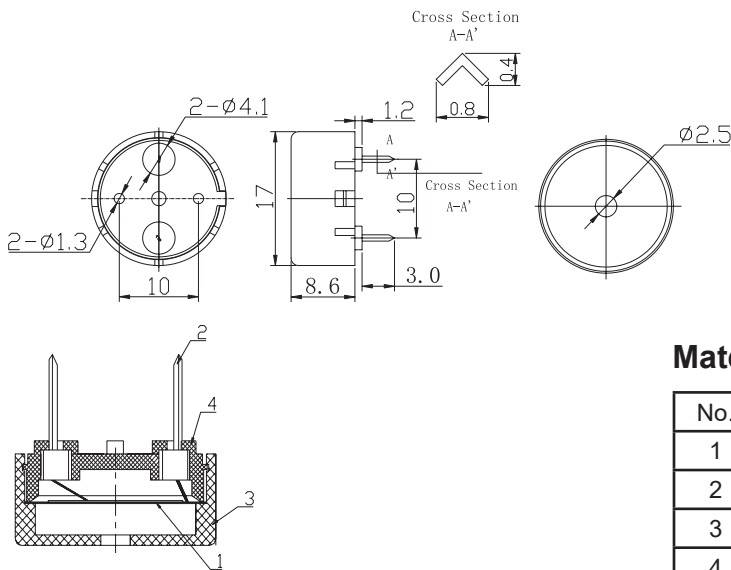
Environmental Test

Item	Specifications
Storage in High temp.	Storage in +85°C±2°C test box for 96 hours, then expose to the room temperature for 2 hours without applying power.
Storage in Low temp.	Storage in -40°C±2°C test box for 96 hours, then expose to the room temperature for 2 hours without applying power.
Storage in Humidity	Storage in +40°C±2°C 90-95%RH test box for 96 hours, then expose to the room temperature for 2 hours without applying power.
Thermal cycle test.	<p>Make this test for 5 cycles without applying power, then expose to the room temperature for 2 hours.</p>
Vibration test	<p>Make this test for the directions of X,Y, Z for 2 hours each (total 6 hours).</p>
Drop test	Free drop a unit from the height 70cm to the surface of 10mm thick board, three directions (X,Y,Z).
Solderability test	Soldering temp.: 260 ±5°C Heat applying time: 3 ±0.5sec.

Diagram



Unless otherwise specified, tolerance: ±0.5 (unit: mm)



Material Specification

No.	Part Name	Q'ty	Material
1	Piezo element	1	Brass
2	Pin	2	Phosphor Bronze (DSn)
3	Housing	1	Black PBT
4	Cover	1	

Part Number Table

Description	Part Number
Piezo Buzzer, PCB Pins, High Operating Temperature, 70 dB	MCABT-477-RC

Dimensions : Millimetres

Important Notice : This data sheet and its contents (the "Information") belong to the members of the AVNET group of companies (the "Group") or are licensed to it. No licence is granted for the use of it other than for information purposes in connection with the products to which it relates. No licence of any intellectual property rights is granted. The Information is subject to change without notice and replaces all data sheets previously supplied. The Information supplied is believed to be accurate but the Group assumes no responsibility for its accuracy or completeness, any error in or omission from it or for any use made of it. Users of this data sheet should check for themselves the Information and the suitability of the products for their purpose and not make any assumptions based on information included or omitted. Liability for loss or damage resulting from any reliance on the Information or use of it (including liability resulting from negligence or where the Group was aware of the possibility of such loss or damage arising) is excluded. This will not operate to limit or restrict the Group's liability for death or personal injury resulting from its negligence. Multicomp Pro is the registered trademark of Premier Farnell Limited 2019.