

Anti Vandal Pushbutton Switch 25mm

multicomp PRO

**RoHS
Compliant**

Specifications

Rating	: lth 5A/250V AC Resistive Load 3A/250V AC
Contact Resistance	: 50mΩ max. @ 1A 12V DC (initial value)
Insulation Resistance	: 1,000MΩ min. at 500V DC
Dielectric Strength	: 2,000V RMS @ sea level
Operation Temperature	: -20°C to 55°C
Mechanical Life	: Momentary 1,000,000 Cycles Self-Lock 500,000 Cycles
Electrical Life	: 50,000 Make-And-Break Cycles At Full Load
Torque	: 5Nm to 14Nm
Operation Pressure	: 1Pole 2.5±1N / 2Poles 3.5±1N
Travel	: About 3.2mm
Ingress Protection	: IP67, IK08(Stainless)

Materials

Bushing	: Stainless Steel / Brass / Aluminum Alloy
Base	: PBT (UL 94-V0) , PC(UL 94-V2)
Actuator	: PC; Stainless Steel / Aluminum alloy
Inner Assembly	: POM / PA66.
Spring	: Spring steel.
Sealing	: Silicone.
O-Ring	: Silicone.
Terminal	: Brass, silver or gold plated.
Contact	: Brass, coin silver, silver or gold plated.
Hex Nut	: Nickel plated brass.



Single Pole

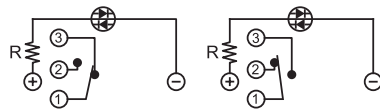
Without LED



Position 1

Position 2

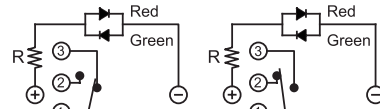
Single Color LED



Position 1

Position 2

Dual Color LED



Position 1

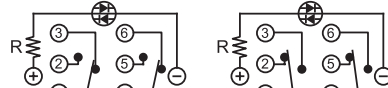
Position 2

Double Pole



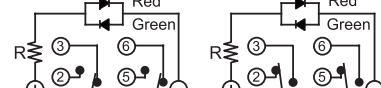
Position 1

Position 2



Position 1

Position 2



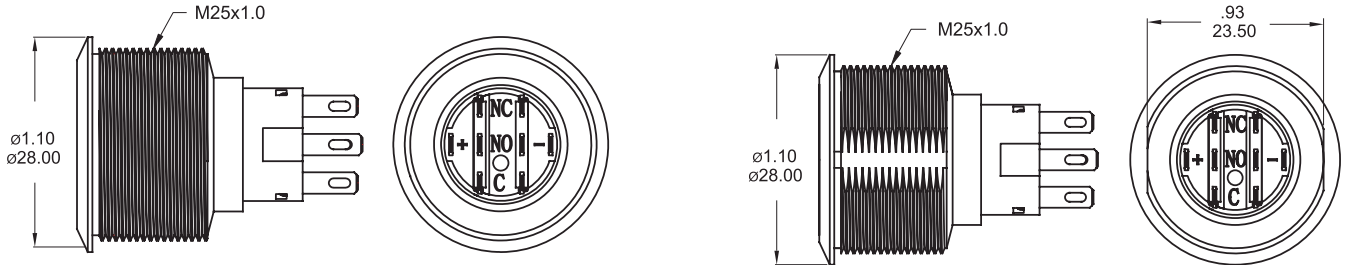
Position 1

Position 2

Anti Vandal Pushbutton Switch 25mm

multicomp PRO

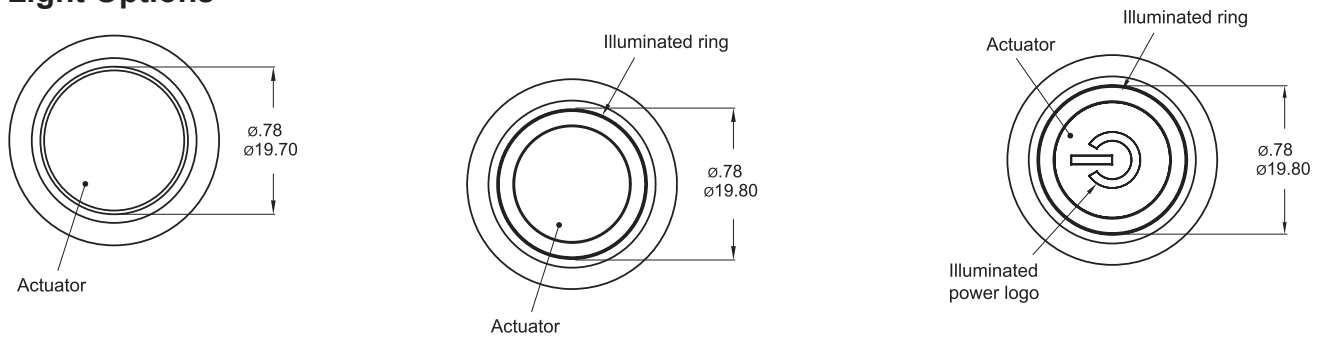
Body Options



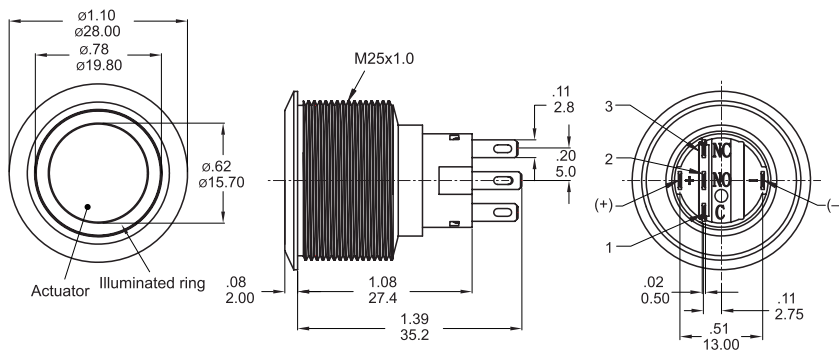
Button Options



Light Options



Dimension



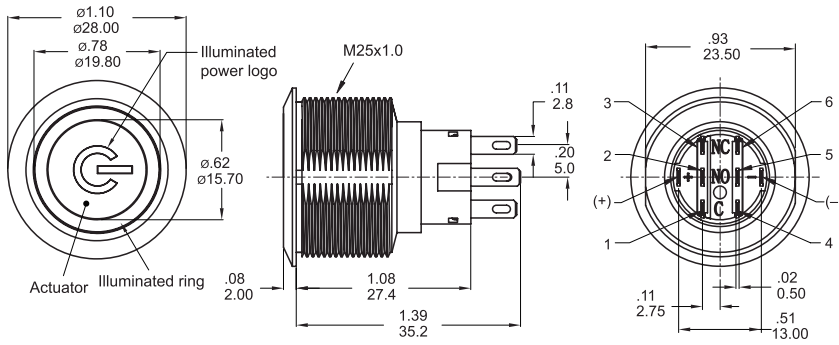
Dimensions : Millimetres

Newark.com/multicomp-pro
Farnell.com/multicomp-pro
sg.element14.com/b/multicomp-pro

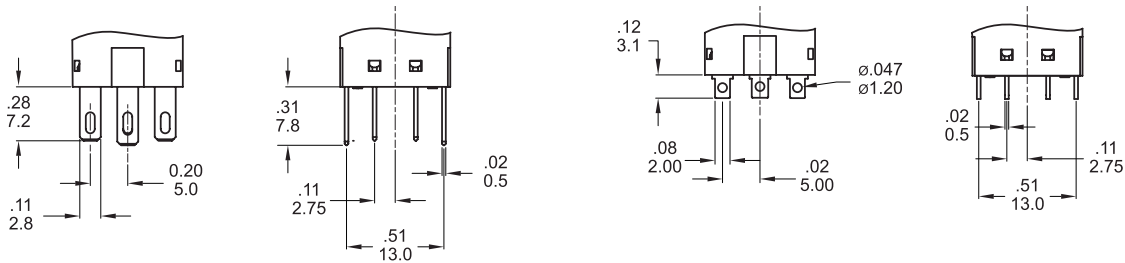
multicomp PRO

Anti Vandal Pushbutton Switch 25mm

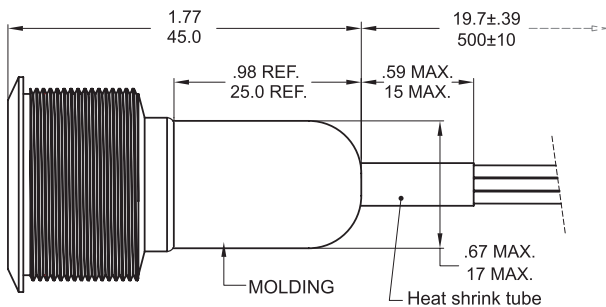
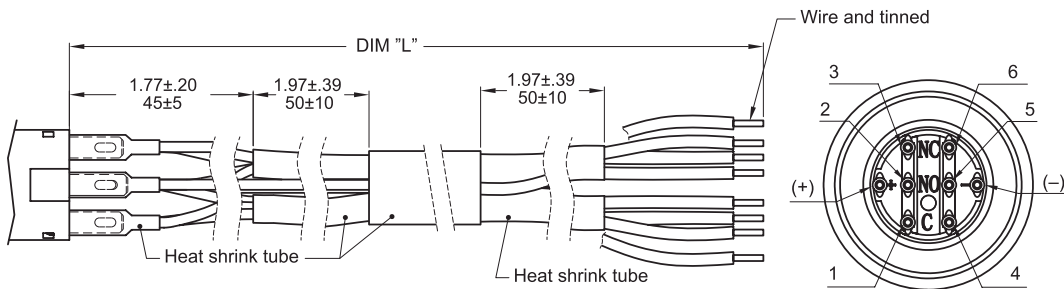
multicomp PRO



Terminal Options



Wire Options



Dimensions : Millimetres

Newark.com/multicomp-pro
Farnell.com/multicomp-pro
sg.element14.com/b/multicomp-pro

multicomp PRO

Anti Vandal Pushbutton Switch 25mm

multicomp PRO

Part Number Table

Description	Part Number
Anti Vandal Push Button Switch, 3V, Momentary, Double Pole, Blue LED	MPB25-A0F20E-73-JQ
Anti Vandal Push Button Switch, 3V, Momentary, Single Pole, Green LED	MPB25-A0F10E-63-JQ
Anti Vandal Push Button Switch, 3V, Momentary, Single Pole, RED LED	MPB25-A0F10E-33-JQ
Anti Vandal Push Button Switch, 3V, Latching, Double Pole, Blue LED	MPB25-A0F21E-73-JQ
Anti Vandal Push Button Switch, 24V, Latching, Single Pole, Green LED	MPB25-D0F11E1-624-JQ
Anti Vandal Push Button Switch, 12V, Momentary, Single Pole, Green LED	MPB25-A0F10E-612-JQ
Anti Vandal Push Button Switch, 3V, Latching, Single Pole, Red LED	MPB25-A0F11E-33-JQ
Anti Vandal Push Button Switch, 24V, Latching, Double Pole, Red and Green LED	MPB25-A0F21E-A24-JQ
Anti Vandal Push Button Switch, 12V, Momentary, Single Pole, White LED	MPB25-A0F10E-112-JQ
Anti Vandal Push Button Switch, 24V, Momentary, Double Pole, Red and Green LED	MPB25-A0F20E-A24-JQ
Anti Vandal Push Button Switch, 24V, Momentary, Double Pole, Red and Blue LED	MPB25-A0F20E-B24-JQ
Anti Vandal Push Button Switch, 12V, Momentary, Single Pole, Blue LED	MPB25-A0F10E-712-JQ
Anti Vandal Push Button Switch, 24V, Latching, Double Pole, Green LED	MPB25-A0F21E-624-JQ
Anti Vandal Push Button Switch, 12V, Momentary, Single Pole, Red and Green LED	MPB25-A0F10E-A12-JQ
Anti Vandal Push Button Switch, 24V, Latching, Single Pole, White LED	MPB25-A0F11E-124-JQ
Anti Vandal Push Button Switch, 12V, Latching, Single Pole, Green LED	MPB25-A0F11E-612-JQ
Anti Vandal Push Button Switch, 6V, Latching, Single Pole, White LED	MPB25-A0F11E-66-JQ
Anti Vandal Push Button Switch, 3V, Momentary, Double Pole, Blue LED	MPB25-A0F20E-73-T1Q
Anti Vandal Push Button Switch, 3V, Momentary, Single Pole, Green LED	MPB25-A0F10E-63-T1Q
Anti Vandal Push Button Switch, 3V, Momentary, Single Pole, Red LED	MPB25-A0F10E-33-T1Q
Anti Vandal Push Button Switch, 3V, Latching, Double Pole, Blue LED	MPB25-A0F21E-73-T1Q
Anti Vandal Push Button Switch, 24V, Latching, Single Pole, Green Led	MPB25-D0F11E1-624-T1Q
Anti Vandal Push Button Switch, 12V, Momentary, Single Pole, Green LED	MPB25-A0F10E-612-T1Q
Anti Vandal Push Button Switch, 3V, Latching, Single Pole, Red LED	MPB25-A0F11E-33-T1Q
Anti Vandal Push Button Switch, 24V, Latching, Double Pole, Red and Green Led	MPB25-A0F21E-A24-T1Q
Anti Vandal Push Button Switch, 12V, Momentary, Single Pole, White LED	MPB25-A0F10E-112-T1Q
Anti Vandal Push Button Switch, 24V, Momentary, Double Pole, Red and Green Led	MPB25-A0F20E-A24-T1Q
Anti Vandal Push Button Switch, 24V, Momentary, Double Pole, Red and Blue Led	MPB25-A0F20E-B24-T1Q
Anti Vandal Push Button Switch, 12V, Momentary, Single Pole, Blue LED	MPB25-A0F10E-712-T1Q
Anti Vandal Push Button Switch, 24V, Latching, Double Pole, Green LED	MPB25-A0F21E-624-T1Q
Anti Vandal Push Button Switch, 12V, Momentary, Single Pole, Red and Green Led	MPB25-A0F10E-A12-T1Q
Anti Vandal Push Button Switch, 24V, Latching, Single Pole, White LED	MPB25-A0F11E-124-T1Q
Anti Vandal Push Button Switch, 12V, Latching, Single Pole, Green LED	MPB25-A0F11E-612-T1Q
Anti Vandal Push Button Switch, 6V, Latching, Single Pole, Green LED	MPB25-A0F11E-66-T1Q

Important Notice : This data sheet and its contents (the "Information") belong to the members of the AVNET group of companies (the "Group") or are licensed to it. No licence is granted for the use of it other than for information purposes in connection with the products to which it relates. No licence of any intellectual property rights is granted. The Information is subject to change without notice and replaces all data sheets previously supplied. The Information supplied is believed to be accurate but the Group assumes no responsibility for its accuracy or completeness, any error in or omission from it or for any use made of it. Users of this data sheet should check for themselves the Information and the suitability of the products for their purpose and not make any assumptions based on information included or omitted. Liability for loss or damage resulting from any reliance on the Information or use of it (including liability resulting from negligence or where the Group was aware of the possibility of such loss or damage arising) is excluded. This will not operate to limit or restrict the Group's liability for death or personal injury resulting from its negligence. Multicomp Pro is the registered trademark of Premier Farnell Limited 2019.

Newark.com/multicomp-pro
Farnell.com/multicomp-pro
sg.element14.com/b/multicomp-pro

multicomp PRO