

963530-1 ✓ ACTIVE

AMP | Timer Connector System

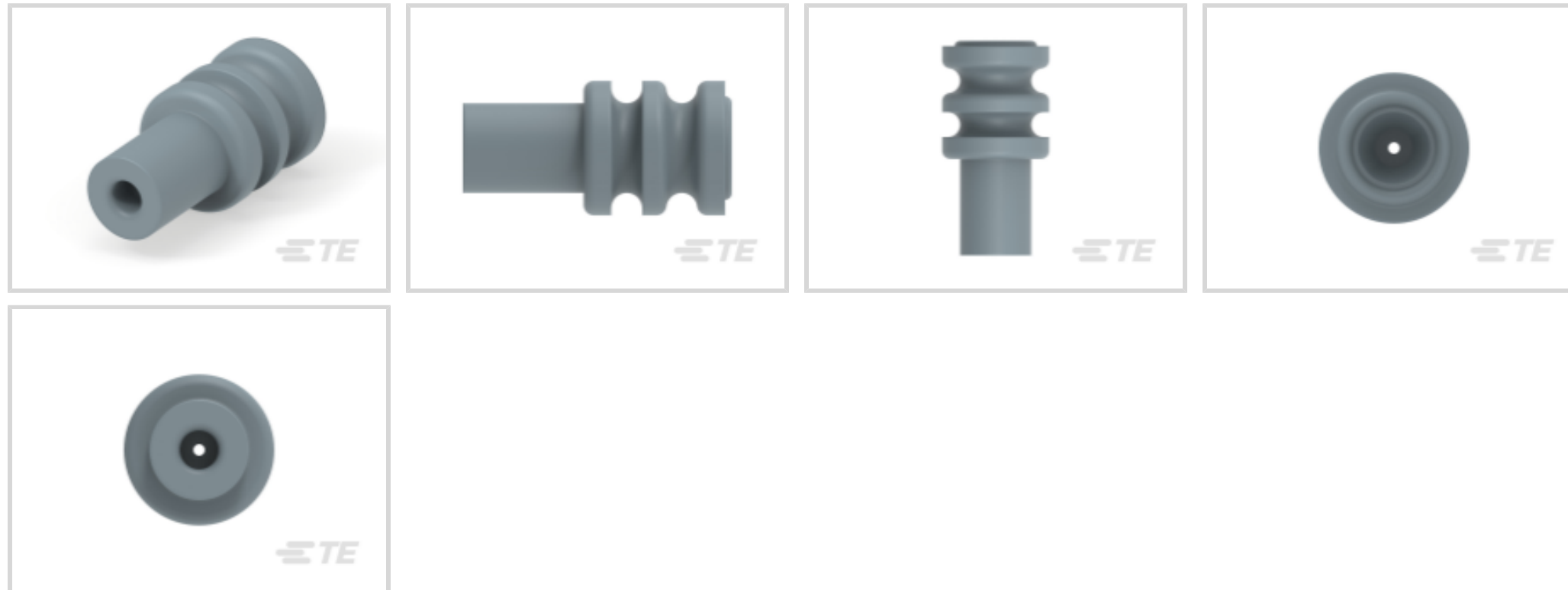
TE Internal #: 963530-1

Single Wire Seal (SWS), Silicone, Gray, 3.6 mm [.142 in] Cavity Diameter, .074 in [1.9 mm] Insulation Diameter, Timer Connector System

[View on TE.com >](#)



Connectors > Connector Accessories > Connector Seals & Cavity Plugs



Connector Seal & Plug Type: **Single Wire Seal (SWS)**

Primary Product Material: **Silicone**

Primary Product Color: **Gray**

Cavity Diameter: **3.6 mm [.142 in]**

Compatible Insulation Diameter Range: **1.9 mm [.074 in]**

## Features

### Product Type Features

Connector Seal & Plug Type	Single Wire Seal (SWS)
----------------------------	------------------------

### Body Features

Primary Product Material	Silicone
Primary Product Color	Gray

### Dimensions

Cavity Diameter	3.6 mm [.142 in]
Compatible Insulation Diameter Range	1.9 mm [.074 in]

### Usage Conditions

Operating Temperature (Max)	65 °C, 70 °C, 75 °C, 80 °C, 85 °C, 90 °C, 100 °C, 105 °C, 110 °C, 120 °C, 125 °C, 130 °C [149 °F][158 °F][167 °F][176 °F][185 °F][194 °F][212 °F][221 °F][230 °F][248 °F][257 °F][266 °F]
Operating Temperature Range	-40 – 130 °C [-40 – 266 °F]

### Industry Standards



UL Flammability Rating	None
------------------------	------

### Other

Resistance to Hydrocarbons	Poor
----------------------------	------

Shore A Hardness	50
------------------	----

Contains Lubricant	Yes
--------------------	-----

## Product Compliance

[For compliance documentation, visit the product page on TE.com>](#)

EU RoHS Directive 2011/65/EU	Compliant
------------------------------	-----------

EU ELV Directive 2000/53/EC	Compliant
-----------------------------	-----------

China RoHS 2 Directive MIIT Order No 32, 2016	No Restricted Materials Above Threshold
---	---

EU REACH Regulation (EC) No. 1907/2006	Current ECHA Candidate List: JAN 2024 (240) Candidate List Declared Against: JAN 2024 (240) Does not contain REACH SVHC
--	---

Halogen Content	Low Halogen - Br, Cl, F, I < 900 ppm per homogenous material. Also BFR/CFR/PVC Free
-----------------	---

Solder Process Capability	Not applicable for solder process capability
---------------------------	--

### Product Compliance Disclaimer

This information is provided based on reasonable inquiry of our suppliers and represents our current actual knowledge based on the information they provided. This information is subject to change. The part numbers that TE has identified as EU RoHS compliant have a maximum concentration of 0.1% by weight in homogenous materials for lead, hexavalent chromium, mercury, PBB, PBDE, DBP, BBP, DEHP, DIBP, and 0.01% for cadmium, or qualify for an exemption to these limits as defined in the Annexes of Directive 2011/65/EU (RoHS2). Finished electrical and electronic equipment products will be CE marked as required by Directive 2011/65/EU. Components may not be CE marked. Additionally, the part numbers that TE has identified as EU ELV compliant have a maximum concentration of 0.1% by weight in homogenous materials for lead, hexavalent chromium, and mercury, and 0.01% for cadmium, or qualify for an exemption to these limits as defined in the Annexes of Directive 2000/53/EC (ELV). Regarding the REACH Regulation, the information TE provides on SVHC in articles for this part number is based on the latest European Chemicals Agency (ECHA) 'Guidance on requirements for substances in articles' posted at this URL: <https://echa.europa.eu/guidance-documents/guidance-on-reach>

## Compatible Parts



TE Part # CAT-T4827-CH8172  
Timer Connector Housing



TE Part # CAT-M9194-CH8172  
MULTILOCK, CONNECTOR HOUSING



TE Part # 2306960-1  
3POS,AMP MCP 1.5K,REC HSG ASSY,  
SLD,COD A



TE Part # CAT-T4827-T273  
TIMER, RECEPTACLE AND TAB



TE Part # CAT-AM705-CH8172  
AMP MCP, SEALED CONNECTOR  
HOUSING



TE Part # CAT-AM705-T273  
AMP MCP, RECEPTACLE AND TAB



TE Part # CAT-L489-CH8172  
LEAVYSEAL Housings



TE Part # CAT-H3399-CH8172  
Heavy Duty Sealed Connector Series  
Housings



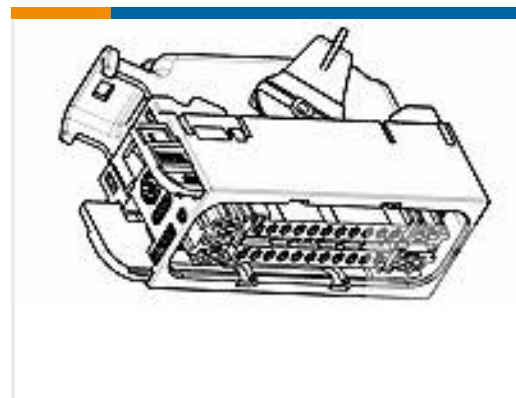
TE Part # 2299450-1  
14P TAB HOUSING ASSY



TE Part # 1393436-4  
V23542C1028B300=KABELBAUMST. 8



TE Part # 444046-4  
HSG ASSY 4P MULTI-LOCK REC.



TE Part # 1-1379208-1  
26W ASSY RECEPTACLE HSG



TE Part # 1-1743059-2  
MT-2/JPT SLD 36P PLUG ASSY BLK



TE Part # 1-284716-3  
6 POS REC. CONNECTOR FOR MTII



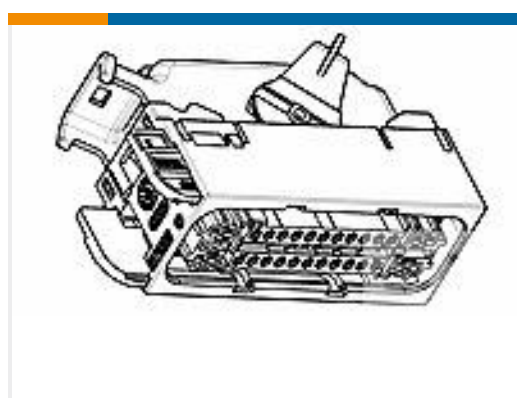
TE Part # 2-1897726-3  
MT-2 SLD 10 PLUG ASSY GRY



TE Part # 2299987-1  
65W PLUG ASSEMBLY



TE Part # 2299987-4  
65W PLUG ASSEMBLY



TE Part # 1379208-3  
26W ASSY RECEPTACLE HSG



TE Part # 1241381-1  
AMP MCP 1.5K, CONTACT, SWS, (LP)

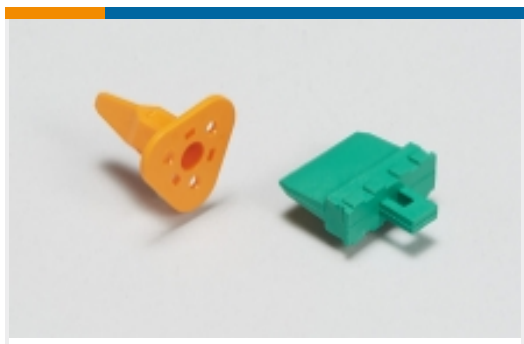


TE Part # 1241381-3  
AMP MCP 1.5K, CONTACT, SWS, (LP)

Also in the Series | **Timer Connector System**



Automotive Connector Caps & Covers (14)



Automotive Connector Locks & Position Assurance(15)



Automotive Housings(214)



Automotive Terminals(135)



Connector Seals & Cavity Plugs(30)



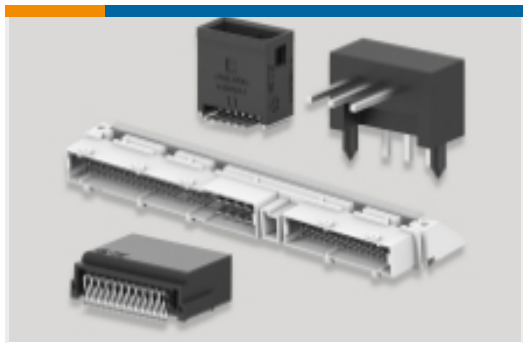
Crimp Terminal Housings(13)



Insertion & Extraction Tools(18)



Other Automotive Connector Accessories(1)



PCB Headers & Receptacles(40)



Quick Disconnects(4)

## Customers Also Bought



TE Part #1-1563759-1  
18POS,AMP MCP1.5K,REC HSG,ASSY



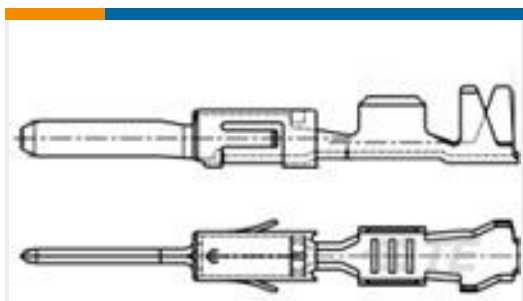
TE Part #1-1418883-1  
62.POS.MIXED REC.HSG



TE Part #1670364-1  
COVER,180 GROUP C



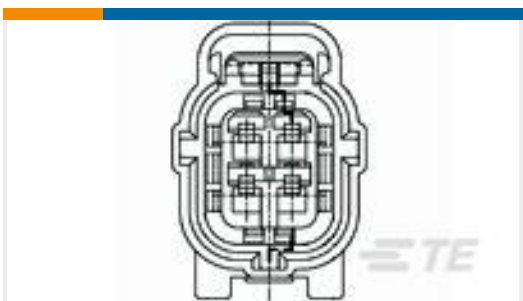
TE Part #1418884-1  
AMP MCP, RECEPTACLE AND TAB



TE Part #963904-1  
TAB A 1.6x0.6 CONTACT CS SWS Sn



TE Part #11100565-00  
20 BAR, 3/8-24UNF Male, 0.5-4.5V, Packar



TE Part #368123-3  
ES MKII(+) 4P PLUG ASSY(GRAY)



**CRIMPER** REPRESENTATION ONLY

TE Part #4-1333296-6  
CRIMPER, WIRE LOOSE PC



## Documents

### Product Drawings

#### EINZELLEITERDICHTUNG

English

### CAD Files

#### 3D PDF

3D

#### Customer View Model

[ENG\\_CVM\\_CVM\\_963530-1\\_B.2d\\_dxf.zip](#)

English

#### Customer View Model

[ENG\\_CVM\\_CVM\\_963530-1\\_B.3d\\_igs.zip](#)

English

#### Customer View Model

[ENG\\_CVM\\_CVM\\_963530-1\\_B.3d\\_stp.zip](#)

English

By downloading the CAD file I accept and agree to the [Terms and Conditions](#) of use.

### Datasheets & Catalog Pages

#### HDSCS CAN Bus Y-Connector and 120 Resistor Brochure

English

#### HDSCS Catalog

English

#### CONNECTOR SELECTOR

English

### Product Specifications

#### Application Specification

English

#### Application Specification

English

[APPLICATION SPECIFICATION FOR: \(Specifica di applicazione per:\) MICRO-TIMER 2 CONTACT WITH RUBBER SEAL](#)

English

### Instruction Sheets

#### Instruction Sheet (non U.S.)

963530-1

Single Wire Seal (SWS), Silicone, Gray, 3.6 mm [.142 in] Cavity Diameter, .074 in [1.9 mm] Insulation Diameter, Timer Connector System



French

[Instruction Sheet \(non U.S.\)](#)

French