

Selector Switch 22mm

multicomp PRO

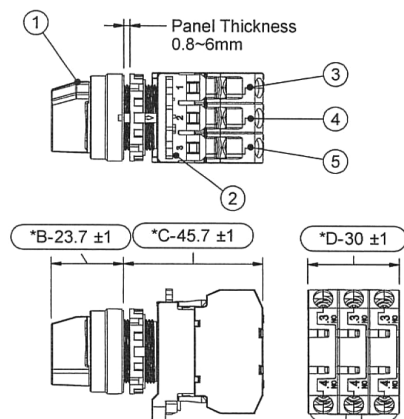
**RoHS
Compliant**

Specifications

Mechanical life	: >0.25 million operations
Electrical life	: >0.1 million operations
Rated insulation voltage	: 600V
Rated thermal current	: 10A
Contact resistance	: 100 mΩ max. (at 1A 6-8V DC)
Insulation resistance	: 100MΩ min. (at 500V DC)
Dielectric strength	: 2500V AC 1 min (Max. 1mA)
Panel Thickness	: 0.8mm to 6mm
Degree of protection	: IP65
Storage temperature	: -45°C to 85°C
Operating temperatur	: -25°C to 70°C

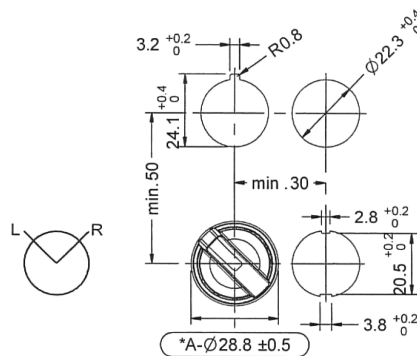
Diagram

Screw Type Selector Switches



Hole Dia

Using in nameplates or anti-rotation ring or badges Application of the general



Contact Ratings

Dimensions : Millimetres

Rated insulation Voltage (Ui)		600V			
Rated terminal Current (Ith)		10A			
Rate Operation Voltage (Ue)		24V	120V	240V	380V
AC 50/60 Hz	Resistive load (AC-12) (Ie)	10A	10A	6A	2A
	Inductive load (AC-15) (Ie)	10A	6A	3A	1.9V
DC	Resistive load (DC-12) (Ie)	8A	2.2A	1.1A	--
	Inductive load (DC-13) (Ie)	4A	1.1A	0.55A	--

Item	Name	QTY
1	MPA20S-2E30/10	1
2	MPA20B-E00P	
3		
4	see Sheet 2/2	
5		

Newark.com/multicomp-pro
Farnell.com/multicomp-pro
sg.element14.com/b/multicomp-pro

multicomp PRO

Selector Switch 22mm

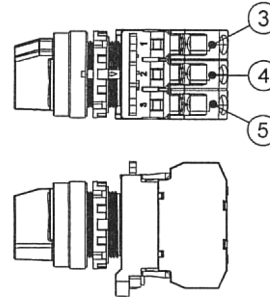
multicomp PRO

MPA20S-2E30

Contact Block Mounting Position

Mounting	Position	Operation	
		L	R
1	No		●
2	No		●
3	No		●

Item	Name	QTY
3	MPA20-E10P/035	1
4		
5		

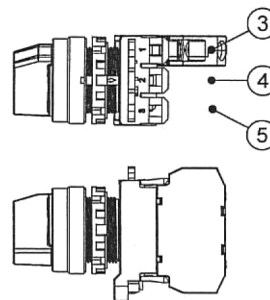


MPA20S-2E10

Contact Block Mounting Position

Mounting	Position	Operation	
		L	R
1	No		●
2	x		
3	x		

Item	Name	QTY
3	MPA20-E10P/035	1
4		
5		

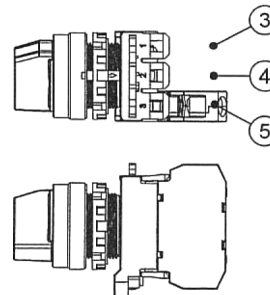


MPA20S-2E01

Contact Block Mounting Position

Mounting	Position	Operation	
		L	R
1	x		
2	x		
3	NC	●	

Item	Name	QTY
3		
4		
5	MPA20-E10P/035	1



● = On (Closed Contact)
Blank = Off (Open Contact)

Part Number Table

Description	Part Number
Selector Switch, 2 Position, 90°, Black, 3NO	MPA20S-2E30
Selector Switch, 2 Position, 90°, Black, 1NO	MPA20S-2E10
Selector Switch, 2 Position, 90°, Black, 1NC	MPA20S-2E01

Important Notice : This data sheet and its contents (the "Information") belong to the members of the AVNET group of companies (the "Group") or are licensed to it. No licence is granted for the use of it other than for information purposes in connection with the products to which it relates. No licence of any intellectual property rights is granted. The Information is subject to change without notice and replaces all data sheets previously supplied. The Information supplied is believed to be accurate but the Group assumes no responsibility for its accuracy or completeness, any error in or omission from it or for any use made of it. Users of this data sheet should check for themselves the Information and the suitability of the products for their purpose and not make any assumptions based on information included or omitted. Liability for loss or damage resulting from any reliance on the Information or use of it (including liability resulting from negligence or where the Group was aware of the possibility of such loss or damage arising) is excluded. This will not operate to limit or restrict the Group's liability for death or personal injury resulting from its negligence. Multicomp Pro is the registered trademark of Premier Farnell Limited 2019.

Newark.com/multicomp-pro
Farnell.com/multicomp-pro
sg.element14.com/b/multicomp-pro

multicomp PRO