

Anti Vandal Pushbutton Switch 16mm

multicomp PRO

**RoHS
Compliant**



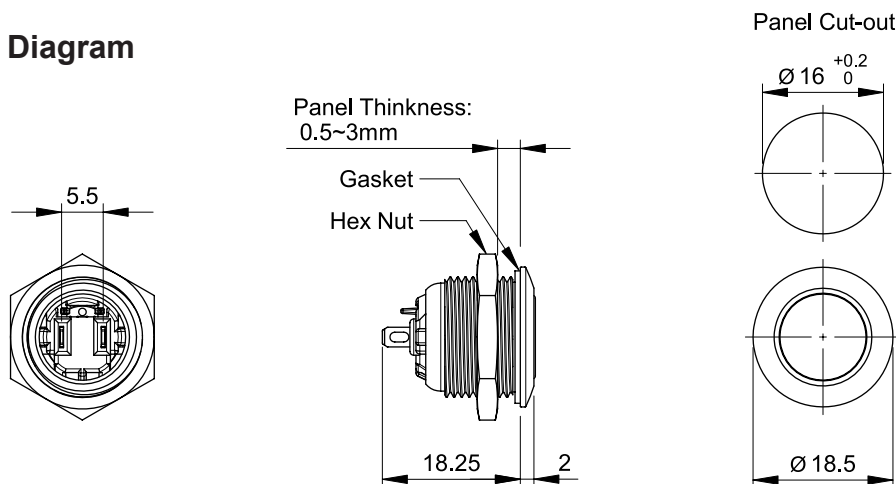
Features

- For a mounting hole diameter of 16 mm
- Contact blocks with gold plated contacts
- Degree of Protection. IP67
- Three different top type; Flush, Prominent or Domed

Specifications

Rated Voltage	: 48V DC
Rated Current	: 100mA
Dielectric Strength	: Between live part and ground: 2,000V AC, 1 min. Between terminals of the same poles: 1,000V AC, 1 min.
Contact Resistance	: 50mΩ maximum (initial value)
Insulation Resistance	: 100MΩ minimum (500V DC)
Operating Humidity	: 45 to 85% RH (no condensation)
Storage Temperature	: -30°C to +70°C (no freezing)
Operating Temperature	: -25°C to +50°C (no freezing)
Vibration Resistance	: Operating extremes/Damage limits: 10 to 55 Hz, amplitude 0.5 mm
Shock Resistance	: Damage limits: 500 m/s ² Operating extremes: 200 m/s ²
Mechanical Life	: Momentary: 250,000 Maintained: 100,000
Electrical Life	: 50,000
Degree of Protection	: IP 67
Terminal Style	: Solder terminal
Weight (approx.)	: 11/7g (Stainless Steel/Aluminum)

Diagram



Dimensions : Millimetres

Newark.com/multicomp-pro
Farnell.com/multicomp-pro
sg.element14.com/b/multicomp-pro

multicomp PRO

Anti Vandal Pushbutton Switch 16mm

multicomp PRO

Part Number Table

Description	Part Number
Anti Vandal Pushbutton Switch, Momentary, 1NO	MPF12S1-1210NPS000
Anti Vandal Pushbutton Switch, Momentary, Green LED, 1NO, 6V	MPF12S1-1212GFS001
Anti Vandal Pushbutton Switch, Momentary, Aluminium, 1NO	MPF12S1-1210NFA000
Anti Vandal Pushbutton Switch, Momentary, Brushed Stainless Steel, 1NO	MPF12S1-1210NPA000
Anti Vandal Pushbutton Switch, Momentary, Blue LED, 1NO, 12V	MPF12S1-1213BFS002
Anti Vandal Pushbutton Switch, Domed, Green LED, 1NO, 6V	MPF12S1-1212GDS002

Important Notice : This data sheet and its contents (the "Information") belong to the members of the AVNET group of companies (the "Group") or are licensed to it. No licence is granted for the use of it other than for information purposes in connection with the products to which it relates. No licence of any intellectual property rights is granted. The Information is subject to change without notice and replaces all data sheets previously supplied. The Information supplied is believed to be accurate but the Group assumes no responsibility for its accuracy or completeness, any error in or omission from it or for any use made of it. Users of this data sheet should check for themselves the Information and the suitability of the products for their purpose and not make any assumptions based on information included or omitted. Liability for loss or damage resulting from any reliance on the Information or use of it (including liability resulting from negligence or where the Group was aware of the possibility of such loss or damage arising) is excluded. This will not operate to limit or restrict the Group's liability for death or personal injury resulting from its negligence. Multicomp Pro is the registered trademark of Premier Farnell Limited 2019.

Newark.com/multicomp-pro
Farnell.com/multicomp-pro
sg.element14.com/b/multicomp-pro

multicomp PRO