

# Anti Vandal Pushbutton Switch 19mm

**multicomp** PRO

**RoHS  
Compliant**



## Features

- $\varnothing$ 16mm /  $\varnothing$ 19mm /  $\varnothing$ 22.5mm /  $\varnothing$ 30.5mm mounting hole diameter
- Stainless steel body with impact resistance and damage resistance
- Available in flat head, convex head, and dome shapes
- Features silver contact contact blocks
- Protection level: IP67
- Commonly used in public places
- UL certification

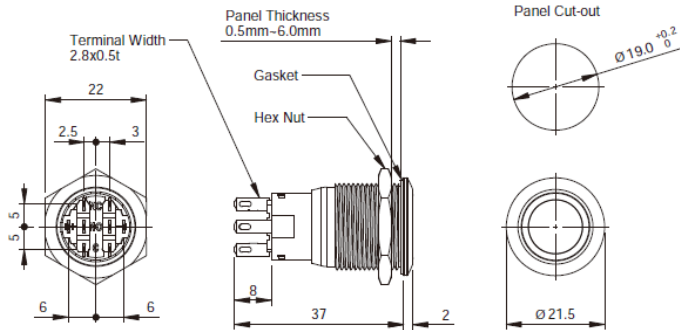
## Specifications

Rated Voltage	: 250V
Rated Current	: 5A
Dielectric Strength	: Between live part and ground: 2,000V AC, 1 min. Between terminals of the same poles: 1,000V AC, 1 min.
Contact Resistance	: 50m $\Omega$ maximum (initial value)
Insulation Resistance	: 100M $\Omega$ minimum (500V DC)
Operating Humidity	: 45 to 85% RH (no condensation)
Storage Temperature	: -30°C to +80°C (no freezing)
Operating Temperature	: -25°C to +50°C (no freezing)
Vibration Resistance	: Operating extremes/Damage limits : 5 to 55 Hz, amplitude 0.5 mm
Shock Resistance	: Damage limits: 500 m/s <sup>2</sup> Operating extremes: 200 m/s <sup>2</sup>
Mechanical Life	: Momentary: 1,000,000
Maintained: 250,000	
Electrical Life	: 50,000
Degree of Protection	: IP 67
Terminal Style	: Solder terminal
Weight (approx.)	: 22/13g (Stainless Steel/Aluminum)

# Anti Vandal Pushbutton Switch 19mm

**multicomp** PRO

## Diagram



Dimensions : Millimetres

## Part Number Table

Description	Part Number
Anti Vandal Pushbutton Switch, Momentary, White LED, 1NO1NC, 24V	MPF24S1-12G34WFS002
Anti Vandal Pushbutton Switch, Momentary, Green LED, 2NO2NC, 24V	MPF24S1-12G44GFS002

**Important Notice :** This data sheet and its contents (the "Information") belong to the members of the AVNET group of companies (the "Group") or are licensed to it. No licence is granted for the use of it other than for information purposes in connection with the products to which it relates. No licence of any intellectual property rights is granted. The Information is subject to change without notice and replaces all data sheets previously supplied. The Information supplied is believed to be accurate but the Group assumes no responsibility for its accuracy or completeness, any error in or omission from it or for any use made of it. Users of this data sheet should check for themselves the Information and the suitability of the products for their purpose and not make any assumptions based on information included or omitted. Liability for loss or damage resulting from any reliance on the Information or use of it (including liability resulting from negligence or where the Group was aware of the possibility of such loss or damage arising) is excluded. This will not operate to limit or restrict the Group's liability for death or personal injury resulting from its negligence. Multicomp Pro is the registered trademark of Premier Farnell Limited 2019.

Newark.com/multicomp-pro  
Farnell.com/multicomp-pro  
sg.element14.com/b/multicomp-pro

**multicomp** PRO