

Anti Vandal Pushbutton Switch 19mm

multicomp PRO

**RoHS
Compliant**



Features

- For a mounting hole diameter of 19mm
- Contact blocks with silver contacts
- Degree of Protection. IP67
- Three different top type; Flush, Prominent or Domed

Specifications

| | |
|-----------------------------|---|
| Rated Voltage | : 250V |
| Rated Cur4 | : 5A |
| Operating Voltage(AC/DC) | : 12V, 30V, 125V, 250V |
| AC(50/60 Hz) Resistive Load | : 5A, 5A, 4A, 2A |
| AC(50/60 Hz) Inductive Load | : 5A, 5A, 3A, 1.5A |
| DC Resistive Load | : 1A, 1A, 0.32A, 0.16A |
| DC Inductive Load | : 1A, 1A, 0.22A, 0.11A |
| Dielectric Strength | : Between live part and ground: 2,000V AC, 1 min. Between terminals of the same poles: 1,000V AC, 1 min. |
| Contact Resistance | : 50mΩ maximum (initial value) |
| Insulation Resistance | : 100MΩ minimum (500V DC) |
| Operating Humidity | : 45 to 85% RH (no condensation) |
| Storage Temperature | : -30°C to +50°C (no freezing) |
| Operating Temperature | : -25°C to +50°C (no freezing) |
| Vibration Resistance | : Operating extremes/Damage limits: 10 to 55 Hz, amplitude 0.5 mm |
| Shock Resistance | : Damage limits: 500 m/s ² Operating extremes: 200 m/s ² |
| Mechanical Life | : Momentary: 250,000 Maintained: 100,000 |
| Electrical Life | : 50,000 |
| Degree of Protection | : IP 67 |
| Terminal Style | : Solder terminal |
| Weight (approx.) | : 22/13g (Stainless Steel/Aluminum) |

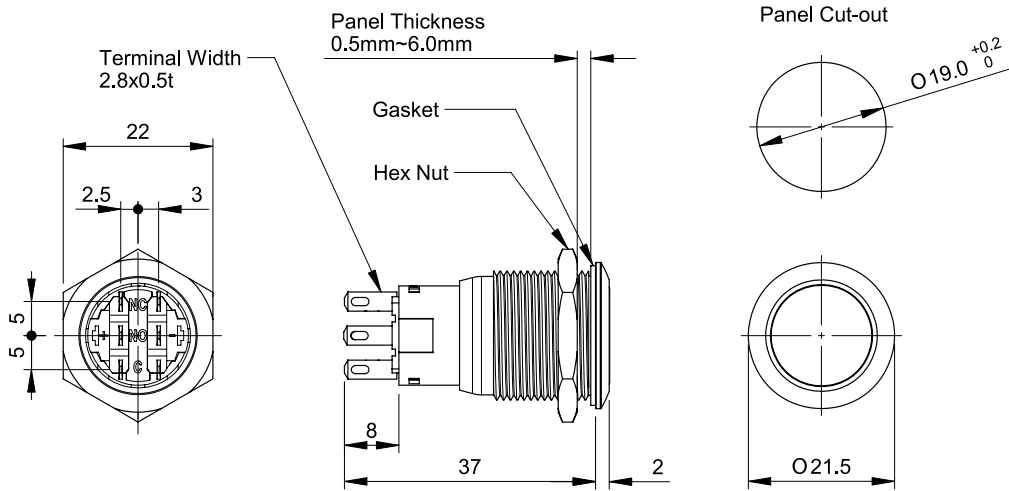
Newark.com/multicomp-pro
Farnell.com/multicomp-pro
sg.element14.com/b/multicomp-pro

multicomp PRO

Anti Vandal Pushbutton Switch 19mm

multicomp PRO

Diagram



Dimensions : Millimetres

Part Number Table

| Description | Part Number |
|--|--------------------|
| Anti Vandal Pushbutton Switch, Momentary, White LED, 1NO1NC, 24V | MPF24S1-1234WFS002 |
| Anti Vandal Pushbutton Switch, Maintained, Brushed Stainless Steel, 1NO1NC | MPF24S1-2230NFP000 |
| Anti Vandal Pushbutton Switch, Momentary, Stainless Steel, 1NO1NC | MPF24S1-2230NFS000 |
| Anti Vandal Pushbutton Switch, Momentary, Stainless Steel, 1NO1NC | MPF24S1-1230NFS000 |

Important Notice : This data sheet and its contents (the "Information") belong to the members of the AVNET group of companies (the "Group") or are licensed to it. No licence is granted for the use of it other than for information purposes in connection with the products to which it relates. No licence of any intellectual property rights is granted. The Information is subject to change without notice and replaces all data sheets previously supplied. The Information supplied is believed to be accurate but the Group assumes no responsibility for its accuracy or completeness, any error in or omission from it or for any use made of it. Users of this data sheet should check for themselves the Information and the suitability of the products for their purpose and not make any assumptions based on information included or omitted. Liability for loss or damage resulting from any reliance on the Information or use of it (including liability resulting from negligence or where the Group was aware of the possibility of such loss or damage arising) is excluded. This will not operate to limit or restrict the Group's liability for death or personal injury resulting from its negligence. Multicomp Pro is the registered trademark of Premier Farnell Limited 2019.

Newark.com/multicomp-pro
Farnell.com/multicomp-pro
sg.element14.com/b/multicomp-pro

multicomp PRO