

Anti Vandal Pushbutton Switch 22mm

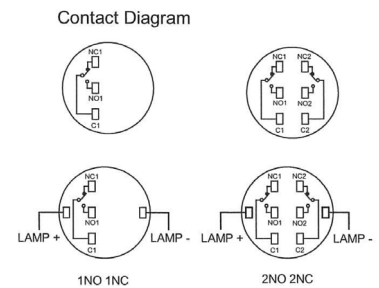
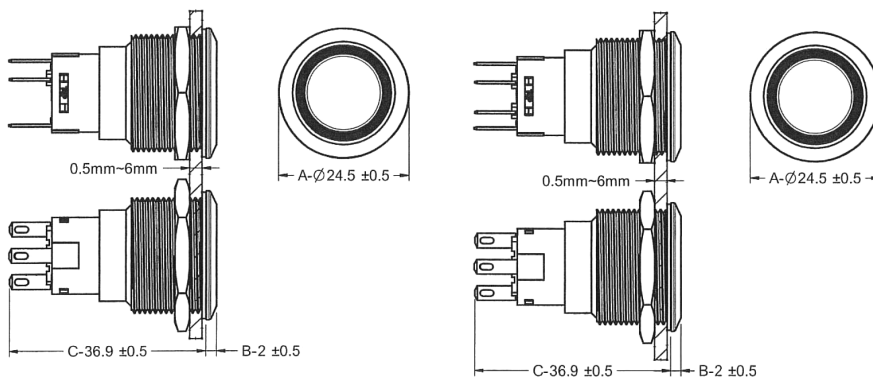
multicomp PRO

**RoHS
Compliant**

Specifications

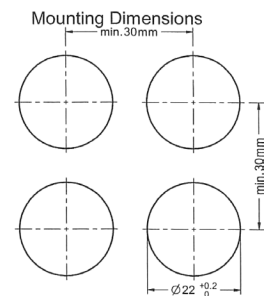
Terminal	: Solder
Mechanical life	: >0.1 million operations
Electrical lifetime	: >50,000 million operations
Dielectric strength	: 1500V AC 1 minute
Insulation resistance	: 100MΩ 1min. (500V DC megger)
Panel Thickness	: 0.5mm to 6mm
Degree of protection	: IP67
Operating temperature	: -25°C to 50°C
Contact Resistance	: 50mΩ (initial)

Diagram



Contact Ratings

Rated Insulation Voltage (Ui)		250V			
Rated Terminal Current (Ith)		5A			
Operation Voltage (AC/DC) (Ue)		12V	30V	125V	250V
AC 50/60 Hz	Resistive load (Ie)	5A	5A	4A	2A
	Inductive load (Ie)			3A	1.5A
DC	Resistive load (Ie)	1A	1A	0.32A	0.16A
	Inductive load (Ie)			0.22A	0.11A



Dimensions : Millimetres

Part Number Table

Description	Part Number
Anti Vandal Pushbutton Switch, Momentary, Green LED, 1NO1NC, 24V	MPF34S1-12G34GFS002

Important Notice : This data sheet and its contents (the "Information") belong to the members of the AVNET group of companies (the "Group") or are licensed to it. No licence is granted for the use of it other than for information purposes in connection with the products to which it relates. No licence of any intellectual property rights is granted. The Information is subject to change without notice and replaces all data sheets previously supplied. The Information supplied is believed to be accurate but the Group assumes no responsibility for its accuracy or completeness, any error in or omission from it or for any use made of it. Users of this data sheet should check for themselves the Information and the suitability of the products for their purpose and not make any assumptions based on information included or omitted. Liability for loss or damage resulting from any reliance on the Information or use of it (including liability resulting from negligence or where the Group was aware of the possibility of such loss or damage arising) is excluded. This will not operate to limit or restrict the Group's liability for death or personal injury resulting from its negligence. Multicomp Pro is the registered trademark of Premier Farnell Limited 2019.

Newark.com/multicomp-pro
Farnell.com/multicomp-pro
sg.element14.com/b/multicomp-pro

multicomp PRO