

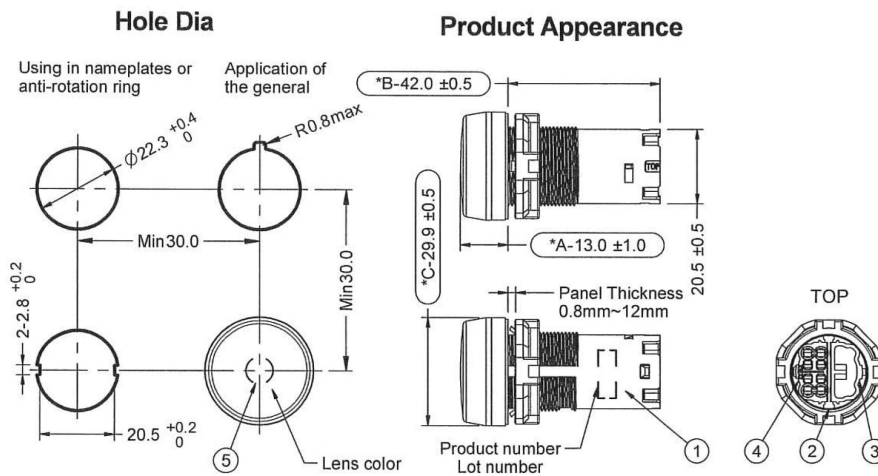
**RoHS
Compliant**



Specifications

Operation Voltage	: 450V
Rated Power	: 5W
Insulation resistance	: 100MΩ min. (at 500V DC)
Dielectric strength	: 2000V AC 50/60 Hz for 1 min
Degree of protection	: IP66, Type 4X indoor use only & Type 13 IP30 (under Panel)
Storage temperature	: -40°C to 85°C
Operating temperature	: -25°C to 55°C
Operating humidity	: 45% to 85% RH
Wire diameter	: 16 AWG to 26 AWG, 0.2mm ² to 1.5mm ²
Stripping length	: 8mm

Diagram



Component

Item	Name	Material	Number
1	MPCP24P-3E	--	1
2	Partition	PA66	
3	Empty Contact	PA66+G20	
4	SCP2-E00P	--	
5	LED	--	

Dimensions : Millimetres

LED Lamp Ratings

	Rate Current (mA)	
Code	Voltage	Green
Q4	24V AC/DC	2.2

Lens & LED Colour

	Code							
	A	G	R	S	Y	W	PW	C
Lens	Amber	Green	Red	Blue	Yellow	White	Clear	Clear
LED	Amber	Green	Red	Blue	Yellow	White	White	Yellow

Part Number Table

Description	Part Number
Panel Indicator, Green Lens With LED, 24V	MPCP24P-3EQ4G

Important Notice : This data sheet and its contents (the "Information") belong to the members of the AVNET group of companies (the "Group") or are licensed to it. No licence is granted for the use of it other than for information purposes in connection with the products to which it relates. No licence of any intellectual property rights is granted. The Information is subject to change without notice and replaces all data sheets previously supplied. The Information supplied is believed to be accurate but the Group assumes no responsibility for its accuracy or completeness, any error in or omission from it or for any use made of it. Users of this data sheet should check for themselves the Information and the suitability of the products for their purpose and not make any assumptions based on information included or omitted. Liability for loss or damage resulting from any reliance on the Information or use of it (including liability resulting from negligence or where the Group was aware of the possibility of such loss or damage arising) is excluded. This will not operate to limit or restrict the Group's liability for death or personal injury resulting from its negligence. Multicomp Pro is the registered trademark of Premier Farnell Limited 2019.