

Clamp on Breaker Lockout multicomp^{PRO}

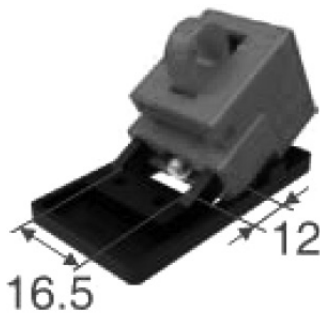
RoHS
Compliant



Features

- The base seat is made of PA66+20%GF, lock body is made of modified lock body is made of PA+ABS.
- A wide range of applications, suitable for a variety of medium - sized built-in tripping plastic case circuit breakers.
- Use thumbscrew to clamp lockout securely onto switch tongue, then pull cover and lock in place to prevent clamp from being loosened.
- New blade design provides tighter grip with less torque on thumb screw.
- Detachable cleats expand the range of application breakers.
- The lockouts can take padlocks with a shackle Dia. up to 7mm.
- The base can clamp the bottom of the lock body very easily.
- Long sliding splint ensures locking of the circuit breaker.
- Compared with the old models, the new one is not easy to be broken.
- Maximum locking range, handle width 16mm, thickness 10mm

Diagram



Dimensions : Millimetres

Part Number Table

Description	Part Number
Breaker Lockout, Clamp-On, 120 to 277, 16mm × 10mm	MP014062

Important Notice : This data sheet and its contents (the "Information") belong to the members of the AVNET group of companies (the "Group") or are licensed to it. No licence is granted for the use of it other than for information purposes in connection with the products to which it relates. No licence of any intellectual property rights is granted. The Information is subject to change without notice and replaces all data sheets previously supplied. The Information supplied is believed to be accurate but the Group assumes no responsibility for its accuracy or completeness, any error in or omission from it or for any use made of it. Users of this data sheet should check for themselves the Information and the suitability of the products for their purpose and not make any assumptions based on information included or omitted. Liability for loss or damage resulting from any reliance on the Information or use of it (including liability resulting from negligence or where the Group was aware of the possibility of such loss or damage arising) is excluded. This will not operate to limit or restrict the Group's liability for death or personal injury resulting from its negligence. Multicomp Pro is the registered trademark of Premier Farnell Limited 2019.

Newark.com/multicomp-pro
Farnell.com/multicomp-pro
sg.element14.com/b/multicomp-pro

multicomp^{PRO}