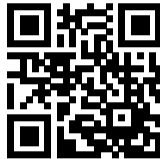


EMC/EMI line filter for lighting equipment



- Voltage rating up to 350 VAC
- Current rating 2 A, 5 A and 8 A
- Offers attenuation fitting to lighting application
- Compact, space-saving design
- Cable outlets with enhanced length give freedom for flexible installation



Technical Specifications

Rated operating voltage	350 VAC
Operating frequency	DC to 60 Hz
Rated currents	2 A, 5 A and 8 A @ 60°C
High potential test voltage	P → PE 3000 VDC for 2 sec P → N 1500 VDC for 2 sec
Temperature range (operation and storage)	-40°C to 90°C (40/90/21)
Overvoltage category	II acc. IEC 60664-1
Pollution degree	2 acc. IEC 60664-1
Certified to	UL 60939-3, CSA Std C22.2 No. 8, IEC/EN 60939-3, GB/T 15287, GB/T 15288
MTBF @ Rated amb. Temp./Voltage (Mil-HB-217F)	1,400,000 hours

Approvals & Compliances



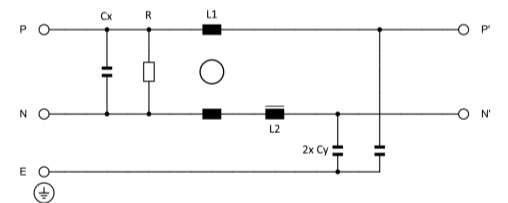
Features and Benefits

- FN 2580 are specially developed for lighting application
- Offering high differential and common mode performance in low profile housing
- Cable outlets are flexible in terms of connection and make the assembly easy
- Voltage rating according to high voltage LED lighting market

Typical Applications

- Lighting Equipment
- LED Driver and displays
- Street Lamps and signage
- Industrial and architectural lighting
- Fluorescent ballasts
- Other applications with high demand for differential mode performance

Typical electrical schematic



Filter Selection Table

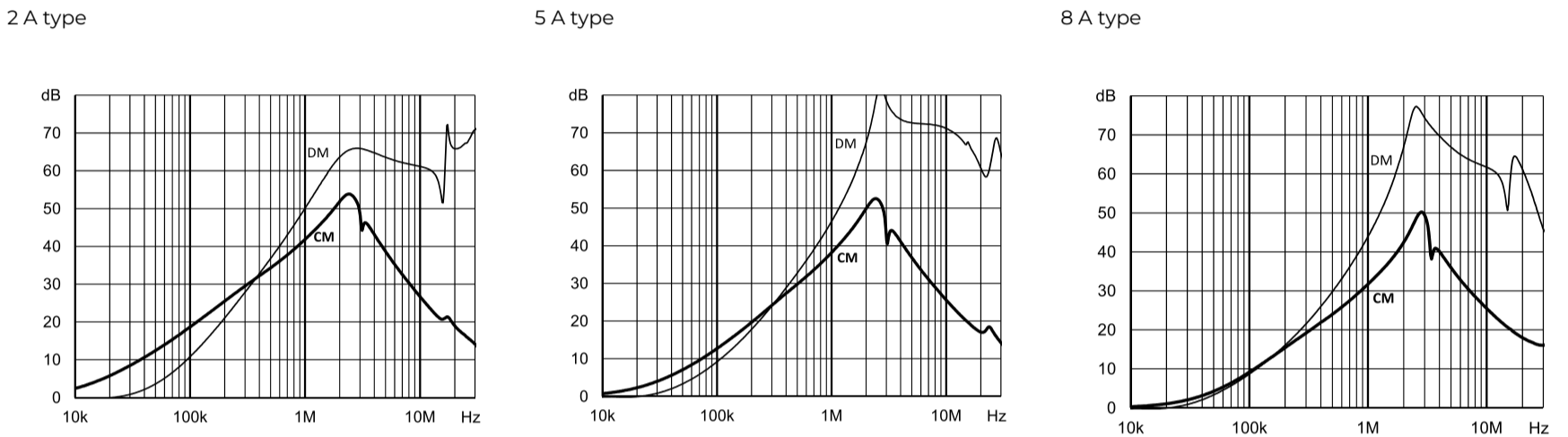
Filter	Rated current @ 60°C [A]	Leakage current* @ 350 VAC/60 Hz [mA]	Inductance**		Capacitance**		Dis. Resistor** R [kΩ]	Weight [g]
			L1 [mH]	L2 [uH]	Cx [μF]	Cy [nF]		
FN 2580-2-07	2	0.66	1.56	78	0.165	5	1000	130
FN 2580-5-07	5	0.66	0.88	52	0.165	5	1000	140
FN 2580-8-07	8	0.66	0.49	35	0.165	5	1000	145

* Maximum leakage under usual AC operating conditions (acc. IEC 60939-3). Note: if the neutral line is interrupted, worst case leakage could reach twice this level.

** Tolerances apply: Inductance: -30/+50%, Capacitance: ±20%, Resistance: ±10%

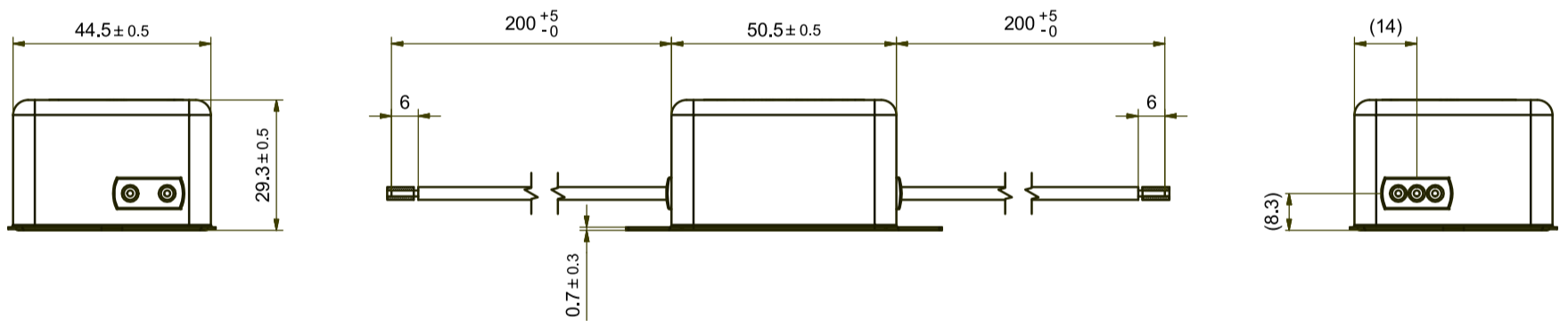
Typical Filter Attenuation

Per CISPR 17; DM=50 Ω/50 Ω sym, differential mode; CM=50 Ω/50 Ω asym, common mode

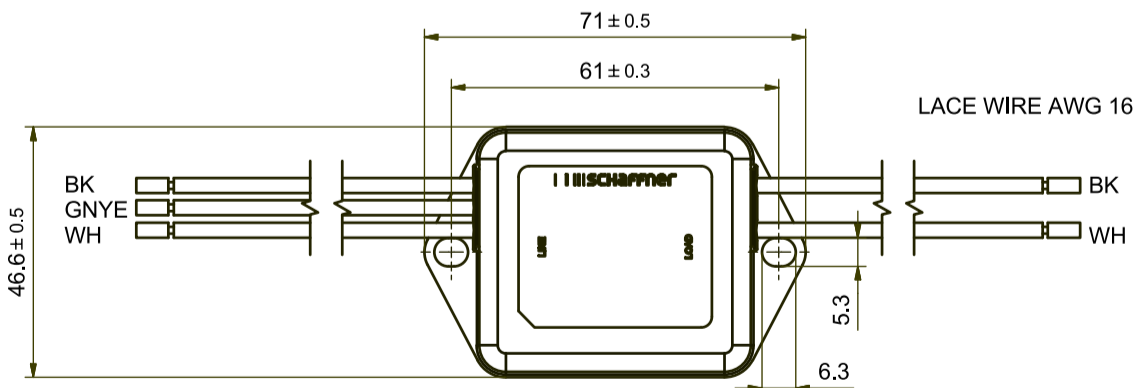


Mechanical Data

Side View



Top View



2 A : Lace Wire 18 AWG

5 A : Lace Wire 18 AWG

8 A : Lace Wire 16 AWG

WH = White ; BK = Black ; GNYE = Green Yellow

All dimensions in mm; 1 inch = 25.4 mm

Tolerances according: ISO 2768-m/EN 22768-m

Headquarters, Global Innovation and Development

Switzerland

Schaffner Holding AG

Industrie Nord
Nordstrasse 11e
4542
Luterbach
+41 32 681 66 26
info@schaffner.com

Sales and Application Centers

China

Schaffner EMC Ltd. Shanghai

T20-3 C, No 565 Chuangye Road, Pudong district
201201
Shanghai
+86 2138139500
cschina@schaffner.com

Finland

Schaffner Oy

Sauvonrinne 19 H
8500
Lohja
+358 50 468 7284
finlandsales@schaffner.com

France

Schaffner EMC S.A.S.

16-20 Rue Louis Rameau
95875
Bezons
+33 1 34 34 30 60
francesales@schaffner.com

Germany

Schaffner Deutschland GmbH

Schoemperlenstrasse 12B
76185
Karlsruhe
+49 721 56910
germanysales@schaffner.com

India

Schaffner India Pvt. Ltd

Regus World Trade Centre
WTC, 22nd Floor Unit No 2238, Brigade Gateway Campus, 26/1, Dr. Rajkumar Road Malleshwaram (W)
560055
Bangalore
+91 8067935355
indiasales@schaffner.com

Italy

Schaffner EMC S.r.l.

Via Ticino, 30
20900
Monza (MB)
+39 039 21 41 070
italysales@schaffner.com

Japan

Schaffner EMC K.K.

ISM Sangenjaya 7F
1-32-12 Kamiuma, Setagaya-ku
154-0011
Tokyo
+81 3 5712 3650
japansales@schaffner.com

Singapore

Schaffner EMC Pte Ltd.

Blk 3015A Ubi Road 1, #05-09, Kampong Ubi Industrial Estate
408705
Singapore
+65 63773283
singaporesales@schaffner.com

Spain

Schaffner EMC España

Calle Caléndula 93, Miniparc III, Edificio E El Soto de Moraleja, Alcobendas
28109
Madrid
+34 917 912 900
spainsales@schaffner.com

Sweden

Schaffner EMC AB

Östermalmstrorg 1
114 42
Stockholm
+46 8 5050 2425
swedensales@schaffner.com

Switzerland

Schaffner EMV AG

Industrie Nord
Nordstrasse 11e
4542
Luterbach
+41 32 681 66 26
switzerlandsales@schaffner.com

Taiwan

Schaffner EMV Ltd.

U-Town
20 Floor-2, No 97, Section 1, XinTai 5th Road, XiZhi District
22175
New Taipei City
+886 226975500
taiwansales@schaffner.com

Thailand

Schaffner EMC Co. Ltd.

Sathorn Square Tower
Room 3780, 37FL, 98 North-Sathorn Rd, Silom, Bangrak
10500
Bangkok
+66 621056397
thailandsales@schaffner.com

United Kingdom

Schaffner Ltd.

1, Oakmede Place
Terrace Road
RG42 4JF
Binfield
+44 118 9770070
uksales@schaffner.com

United States

Schaffner EMC Inc.

52 Mayfield Avenue
Edison, New Jersey
+1 732 225 9533
usasales@schaffner.com

To find your local partner within Schaffner's global network schaffner.com

© 2022 Schaffner Group

The content of this document has been carefully checked and understood. However, neither Schaffner nor its subsidiaries assume any liability whatsoever for any errors or inaccuracies of this document and the consequences thereof. Published specifications are subject to change without notice. Product suitability for any area of application must ultimately be determined by the customer. In all cases, products must never be operated outside their published specifications. Schaffner does not guarantee the availability of all published products. This disclaimer shall be governed by substantive Swiss law and resulting disputes shall be settled by the courts at the place of business of Schaffner Holding AG. Latest publications and a complete disclaimer can be downloaded from the Schaffner website. All trademarks recognized.