

MP Miniature Toggle Switch

multicomp^{PRO}

RoHS
Compliant



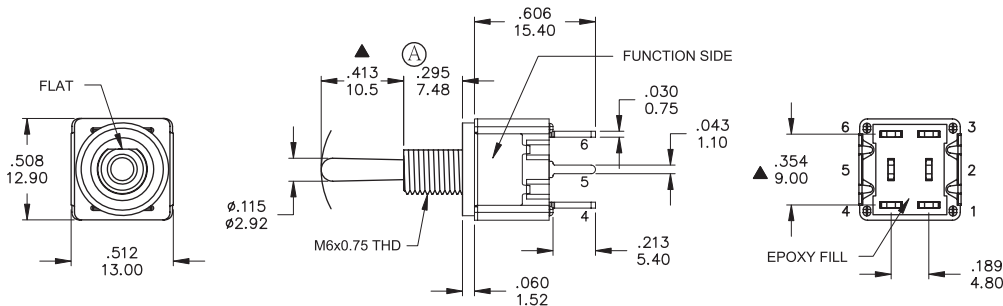
Specifications

Mechanical Life	: 100,000 make-and-break cycles DC 10V & 0.1ma.
Contact Resistance	: 10mΩ max.
Insulation Resistance	: 500V 500MΩ min.
Dielectric Strength	: 1,000 Vrms min. @sea level.
Operating Temperature Range	: -40°C to 85°C.
Range	: MP Miniature Toggle Switch

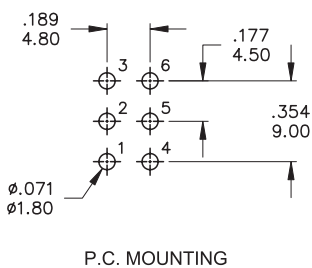
Materials

Case	: Diallyl phthalate (DAP) (UL94V-0)
Actuator	: Brass, Chrome Plated
Bushing	: Brass, Nickel Plated
Housing	: Stainless Steel
Terminal/Contact	: Brass

Diagram



--	Contact Plating	Terminal Plating	Ratings
Q	Silver	Silver	6A @ 125V AC
C	Gold over Silver	Gold over Silver	3A @ 250V AC or 28V DC
R	Gold	Gold	0.4 Volt-Amps (VA) max. @20V max. (AC or DC)



P.C. MOUNTING

Dimensions : Inches (Millimetres)

Switch Function

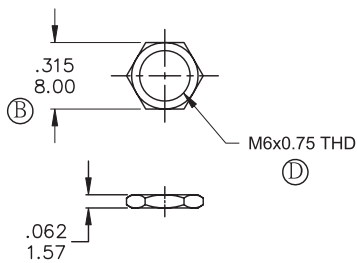
Model	Pos.1	Pos.2	Pos.3
MP1FD3T1B9M2QES-5	ON	OFF	ON
Term. Comm.	2-3, 5-6	OPEN	2-1, 5-4
Schematic			

Newark.com/multicomp-pro
Farnell.com/multicomp-pro
sg.element14.com/b/multicomp-pro

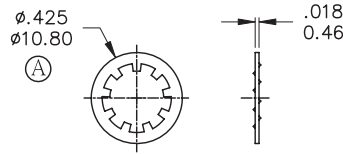
multicomp^{PRO}

MP Miniature Toggle Switch

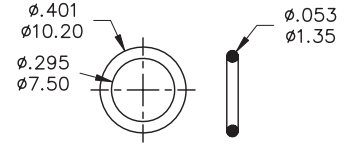
multicomp PRO



METRIC NUT



LOCKING WASHER



O-RING

Part Number Table

Description	Part Number
Toggle Switch, On-Off-On, PC mount	MP1FD3T1B9M2QES-5

Dimensions : Inches (Millimetres)

Important Notice : This data sheet and its contents (the "Information") belong to the members of the AVNET group of companies (the "Group") or are licensed to it. No licence is granted for the use of it other than for information purposes in connection with the products to which it relates. No licence of any intellectual property rights is granted. The Information is subject to change without notice and replaces all data sheets previously supplied. The Information supplied is believed to be accurate but the Group assumes no responsibility for its accuracy or completeness, any error in or omission from it or for any use made of it. Users of this data sheet should check for themselves the Information and the suitability of the products for their purpose and not make any assumptions based on information included or omitted. Liability for loss or damage resulting from any reliance on the Information or use of it (including liability resulting from negligence or where the Group was aware of the possibility of such loss or damage arising) is excluded. This will not operate to limit or restrict the Group's liability for death or personal injury resulting from its negligence. Multicomp Pro is the registered trademark of Premier Farnell Limited 2019.

Newark.com/multicomp-pro
 Farnell.com/multicomp-pro
 sg.element14.com/b/multicomp-pro

multicomp PRO