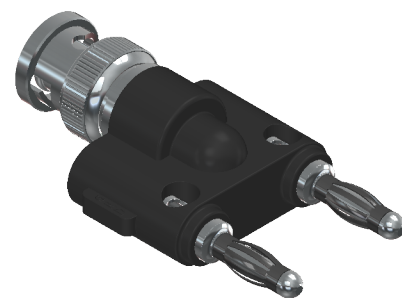
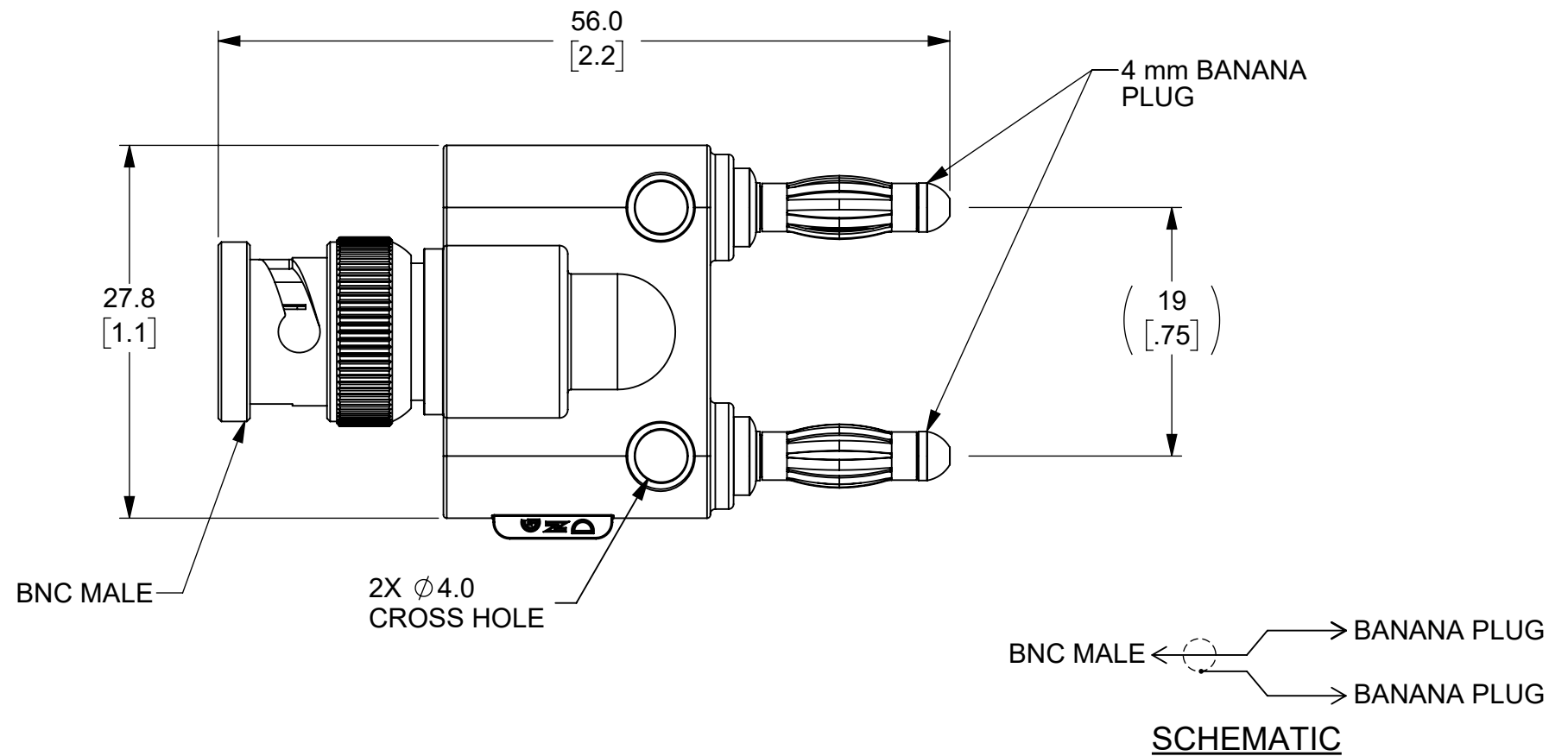


THIS IS ISSUED IN STRICT CONFIDENCE THAT IT IS NOT USED AS A BASIS FOR MANUFACTURE OR SALE AND THAT IT IS NOT COPIED, REPRINTED OR DISCLOSED TO A THIRD PARTY EITHER WHOLLY OR IN PART WITHOUT THE PRIOR WRITTEN CONSENT OF CAL TEST ELECTRONICS, INC.

REVISIONS			
REV.	DESCRIPTION	DATE	APPROVED
A	CLASS A RELEASED - UPDATED TO METRIC FORMAT; ADDED NOTES 4 & 5.	3/27/2024	B. Hansen
B	UPDATED SOLIDWORKS DRAWING TO LATEST CAL TEST FORMAT.	4/2/2024	Admin

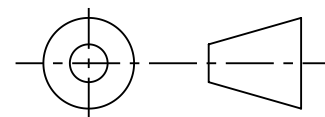
NOTES:

- ALL SPECIFICATIONS SUBJECT TO CHANGE WITHOUT NOTICE.
- ADAPTER TO MEET OR EXCEED ALL SPECIFICATIONS PER MIL-PRF-39012.
- MATING DIMENSIONS IN ACCORDANCE WITH MIL-STD-348.
- MATERIAL:
 - BNC BODY: BRASS, NICKEL PLATED
 - BNC DIELECTRIC: DELRIN
 - BNC CENTER CONTACT: BRASS, GOLD PLATED
 - PLUG BODY: BRASS, NICKEL PLATED
 - CAGE CONTACT: BERYLLIUM COPPER, NICKEL PLATED
 - INSULATOR: POLYAMIDE (NYLON), BLACK
- ELECTRICAL:
 - WORKING VOLTAGE: 500 V
 - MAXIMUM CURRENT: 3 A
 - RESISTANCE: < 1 mΩ
- MECHANICAL:
 - TEMPERATURE: -20°C TO +80°C
- STANDARD PACKAGING: 5 PCS PER PACK.
- RoHS 2 AND REACH COMPLIANT



**ISOMETRIC VIEW
FULL SCALE**

THIRD ANGLE PROJECTION



REFERENCE

CT2940	BNC MALE	-
MODEL NUMBER	CONFIGURATION	NOTES / REFERENCE
MODEL NUMBER TABLE		

UNLESS OTHERWISE SPECIFIED DIMENSIONS ARE IN MILLIMETERS TOLERANCES ARE: X.X = ±0.8 X.X* = ±0.5* X.XX = ±0.25 X.XXX = ±0.125 DO NOT SCALE DRAWING	PROJECT NO.			22820 Savi Ranch Prky. Yorba Linda, CA 92887 USA		
	APPROVALS	DATE		TITLE		
	MATERIAL SEE NOTES	DRAWN GSG	3/12/2024	ADAPTER, BNC MALE / 4mm BANANA PLUGS		
	TREATMENT NONE	CHECKER B. HANSEN	3/12/2024			
FINISH SEE NOTES	ENGR. B. HANSEN	3/12/2024	SIZE B	CAGE CODE 43F45	DWG. NO. CT2940	REV. B
			SCALE 2:1	SHEET 1 OF 1		