

8kV Hook Clip with 4mm Sheathed Banana Jack

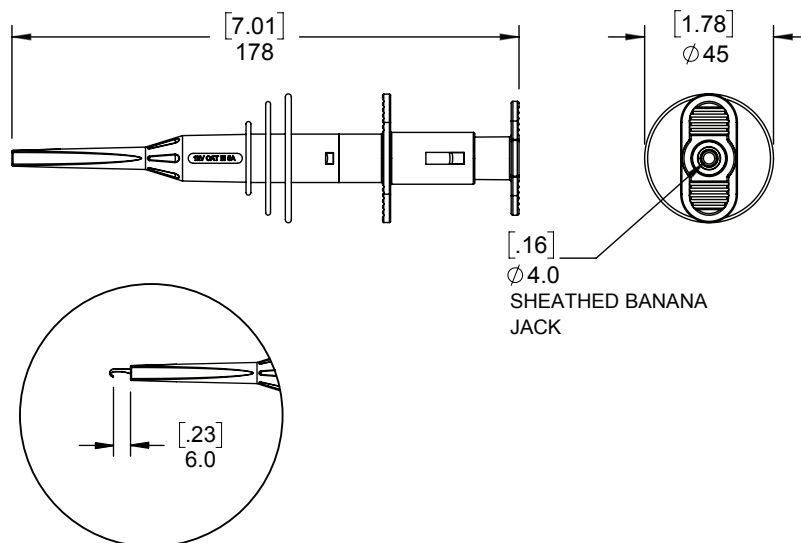
CT4401-#



Features:

- Specified up to 8 kV in non-CAT rated environments
- IEC 61010-031 rated to 1,000 V CAT III, 5 A
- Rugged and durable fiber filled Nylon
- Ribbed handles provide for a sure grip
- Connects to 4 mm sheathed banana plugs
- CE listed
- RoHS 2 compliant

Measurement Drawing: (Dimensions in mm [in], not to scale)



Description:

The CT4401 operates up to 8 kV when used in non-category environments.^a It is also rated for CAT III environments up to 1,000 V.^b

Interfacing with 4 mm sheathed banana plugs, the CT4401 works with a DMM, differential probe, or other needed test equipment. The plunger style actuation facilitates quick connections while allowing for minimal exposed contacts. The opening of the hook extends out 6 mm and can accommodate conductors up to 2.5 mm in diameter.

The CT4401 is available in 2 colors and two lengths.

a. Never hold or touch equipment while connected to live voltages.

b. Must be used in conjunction with other similarly rated products.

Order Information:

CT4401-#

8kV Hook Clip with 4mm Sheathed Banana Jack

- Color - replace '-#' with dash number:
-0 Black, -2 Red

CT4402

8kV Hook Clip with 4mm Sheathed Banana Jack, Pair B/R

Contact Info:

Toll Free: 800-572-1028 (US Only)

Phone: 714-221-9330

Fax: 714-921-9849

22820 Savi Ranch Parkway

Yorba Linda, CA 92887-4610 USA

www.caltestelectronics.com

Assembly Image: (Test leads sold separately)



WARNING

Never hold or touch equipment while connected to live voltages.

WARNING

The measurement category of a combination of hook clip and test lead is the lower of the assembled products.

CE

Copyright © 2020, Cal Test Electronics, Inc. All rights reserved. Information in this publication supersedes that in all previously published material. Trade names referenced are the service marks, trademarks or registered trademarks of their respective companies.