



Kilovac | Kilovac LEV200

TE Internal #: 6-1618390-8

DC Contactors, Contact Arrangement 1 Form X, SPST-NO DM, 22 AWG Wire Size, .34 mm² Wire Size, 500A Contact Current Rating, Kilovac LEV200

[View on TE.com >](#)

Relays & Contactors > Contactors > Mil-Aero Contactors > DC Contactors



Contact Arrangement: 1 Form X, SPST-NO DM

Wire Size: .34 mm²

Contact Current Rating: 500 A

Coil Resistance: 11 Ω

Features

Configuration Features

Auxiliary Switch Contact Arrangement	None
Contact Arrangement	1 Form X, SPST-NO DM
Number of Poles	1

Electrical Characteristics

Contact Current Rating	500 A
Coil Resistance	11 Ω
Coil Voltage Rating	12 VDC
Contact Switching Voltage (Max)	900 VDC

Body Features

Enclosure Type	Sealed
----------------	--------

Termination Features

Main Termination & Connection Type	M8 x 1.25
Auxiliary Termination & Connection Type	Wire Connector
Coil Termination & Connection Type	Connector

Mechanical Attachment

Torque (Main)	80 – 100 in-lbs
Product Mount Type	Chassis

Dimensions



Coil Wire Length	390 mm[15.3 in]
Wire Size	.34 mm ²

Operation/Application

Actuating System	DC
------------------	----

Packaging Features

Packaging Method	Individual
------------------	------------

Product Compliance

[For compliance documentation, visit the product page on TE.com>](#)

EU RoHS Directive 2011/65/EU	Compliant
EU ELV Directive 2000/53/EC	Compliant
China RoHS 2 Directive MIIT Order No 32, 2016	No Restricted Materials Above Threshold
EU REACH Regulation (EC) No. 1907/2006	Current ECHA Candidate List: JAN 2024 (240) Candidate List Declared Against: JUNE 2023 (235) SVHC > Threshold: Cd (7.5% in COMPONENT) Article Safe Usage Statements: Use personal protective equipment as required. Do not eat, drink or smoke when using this product. Recycle if possible and dispose of the article by following all applicable governmental regulations relevant to your geographic location.
Halogen Content	Low Halogen - Br, Cl, F, I < 900 ppm per homogenous material. Also BFR/CFR/PVC Free
Solder Process Capability	Not applicable for solder process capability

Product Compliance Disclaimer

This information is provided based on reasonable inquiry of our suppliers and represents our current actual knowledge based on the information they provided. This information is subject to change. The part numbers that TE has identified as EU RoHS compliant have a maximum concentration of 0.1% by weight in homogenous materials for lead, hexavalent chromium, mercury, PBB, PBDE, DBP, BBP, DEHP, DIBP, and 0.01% for cadmium, or qualify for an exemption to these limits as defined in the Annexes of Directive 2011/65/EU (RoHS2). Finished electrical and electronic equipment products will be CE marked as required by Directive 2011/65/EU. Components may not be CE marked. Additionally, the part numbers that TE has identified as EU ELV compliant have a maximum concentration of 0.1% by weight in homogenous materials for lead, hexavalent chromium, and mercury, and 0.01% for cadmium, or qualify for an exemption to these limits as defined in the Annexes of Directive 2000/53/EC (ELV). Regarding the REACH Regulation, the information TE provides on SVHC in articles for this part number is based on the latest European Chemicals Agency (ECHA) 'Guidance on requirements for substances in articles' posted at this URL: <https://echa.europa.eu/guidance-documents/guidance-on-reach>

Compatible Parts



TE Part # 9-1618392-2
LEV200HLANA=RELAY, SPST-NO



TE Part # 3-1618389-7
LEV100A4ANG=RELAY, 12Vdc SPST-NO



TE Part # 6-1618412-9
LEV100H4ANG=CONTACTOR 12V, AUX SPST,15"



TE Part # 6-1618415-2
LEV100H4FNG=CONTACTOR 12V, AUX SPST,15"



TE Part # 6-1618415-3
LEV100H5FNG = CONTACTOR WITH AUX SPST



TE Part # 2-1618418-0
LEV100H5ANH = CONTACTOR WITH AUX SPST,15

Also in the Series | Kilovac LEV200



DC Contactors(15)



Definite Purpose Contactors(1)

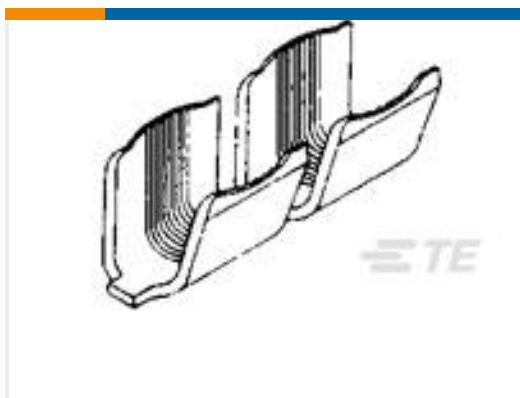


General Purpose Contactors(4)



High Voltage Relays(13)

Customers Also Bought



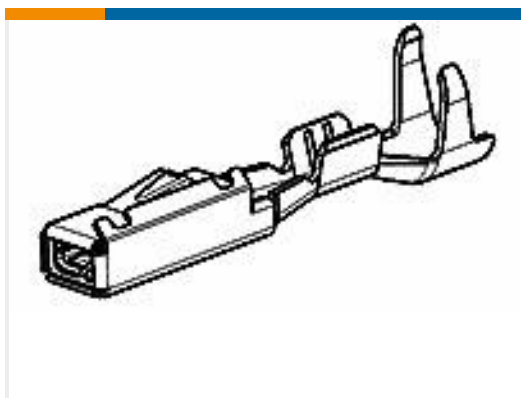
TE Part #41765
SPLC AMVAR 1500-5000 020BR



TE Part #2141608-4
5POS,AMP MCP6.3/4.8K,REC HSG,A



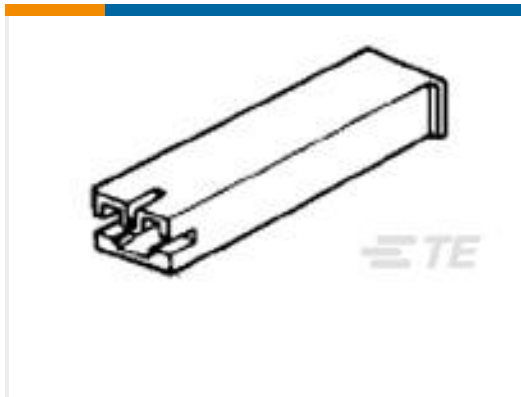
TE Part #5677964005
RNF-3000-39/13-X-SP



TE Part #1355556-1
MQS1,5 Sn rec LL unseal. 0,35-0,5



TE Part #2-2287720-1
PICO MQS,TERMINAL



TE Part #173974-2
PL 187 (4.8 MM) HOUSING RECEPTACLE



TE Part #3-1618391-7
LEV100A6ANG=RELAY,SPST-NO, 48VDC VMT 15



TE Part #1618387-3
LEV200A4ANA=RELAY, SPST-NO



Documents

CAD Files

[3D PDF](#)

3D

Customer View Model

[ENG_CVM_CVM_6-1618390-8_D.2d_dxf.zip](#)

English

Customer View Model

[ENG_CVM_CVM_6-1618390-8_D.3d_igs.zip](#)

English

Customer View Model

[ENG_CVM_CVM_6-1618390-8_D.3d_stp.zip](#)

English

By downloading the CAD file I accept and agree to the [Terms and Conditions](#) of use.

Datasheets & Catalog Pages

[5-1773450-5_sec7_LEV200](#)

English