

DC Plug Adapter

pro-POWER



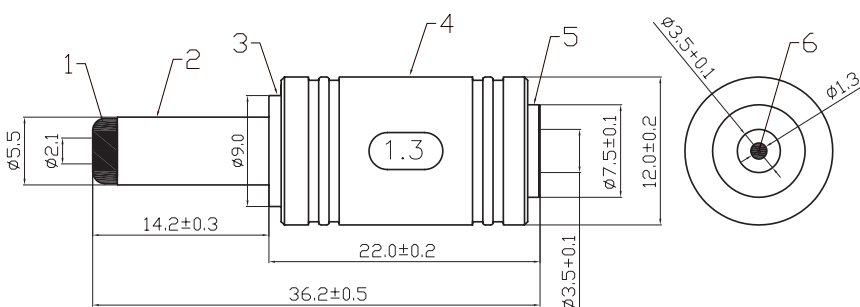
Description

This is interchangeable DC plug adapter, ideal to adapt power supplies with fixed output plugs.

Specifications

Inter Series Connector A	: DC Power - 1.3mm
Gender A	: Receptacle
Inter Series Connector B	: DC Power - 2.1mm
Gender B	: Plug
Convert To Positions	: 2 Ways

Diagram



Item	Designation	Material
1	Dielectric	POM
2	Copper Tube	Cu
3	Body	Cu
4	Plastic Handle	PVC
5	Female Part	Cu
6	Pin	Cu

Part Number Table

Description	Part Number
DC Plug Adaptor, 1.3mm Socket to 2.1mm Plug	PPW00004

Dimensions : Millimetres

Important Notice : This data sheet and its contents (the "Information") belong to the members of the AVNET group of companies (the "Group") or are licensed to it. No licence is granted for the use of it other than for information purposes in connection with the products to which it relates. No licence of any intellectual property rights is granted. The Information is subject to change without notice and replaces all data sheets previously supplied. The Information supplied is believed to be accurate but the Group assumes no responsibility for its accuracy or completeness, any error in or omission from it or for any use made of it. Users of this data sheet should check for themselves the Information and the suitability of the products for their purpose and not make any assumptions based on information included or omitted. Liability for loss or damage resulting from any reliance on the Information or use of it (including liability resulting from negligence or where the Group was aware of the possibility of such loss or damage arising) is excluded. This will not operate to limit or restrict the Group's liability for death or personal injury resulting from its negligence. pro-POWER is the registered trademark of Premier Farnell Limited 2019.

Newark.com/exclusive-brands
Farnell.com/exclusive-brands
Element14.com/exclusive-brands

pro-POWER