



**RoHS
Compliant**

Description

- Fiberglass Reinforced Polyester (GRP/SMC) electrical enclosure supplied with galvanized steel back plate and wall mounting fixings.
- Dimensions (HxWxD): 250 x 300 x 140mm
- Weight: 6.25kg

Features

- Manufactured from Fiber Glass Reinforced Polyester (Halogen free), moulded by hot compression.
- Colour Light Grey RAL 7035.
- Self-extinguishable: 960°C test withstood.
- Mounting holes separate to interior for double insulation and no risk of electrical contact.
- Degree of protection IP66 UNE 20324 (EN 60529).
- Certification of compliance with IEC62208 standard.
- Suitable for indoor and outdoor use.
- Door can open up to 180 degrees.
- Symetrical enclosure allows for left or right side door opening.
- Anti-intruder hinge system.
- Other lock options available.
- Metal free locks and keys.
- Galvanised steel mounting plate.
- Resistant to harsh temperatures and UV-resistant.
- Lightweight material for easy installation.
- Long life for 10+ years without maintenance under standard environmental conditions.

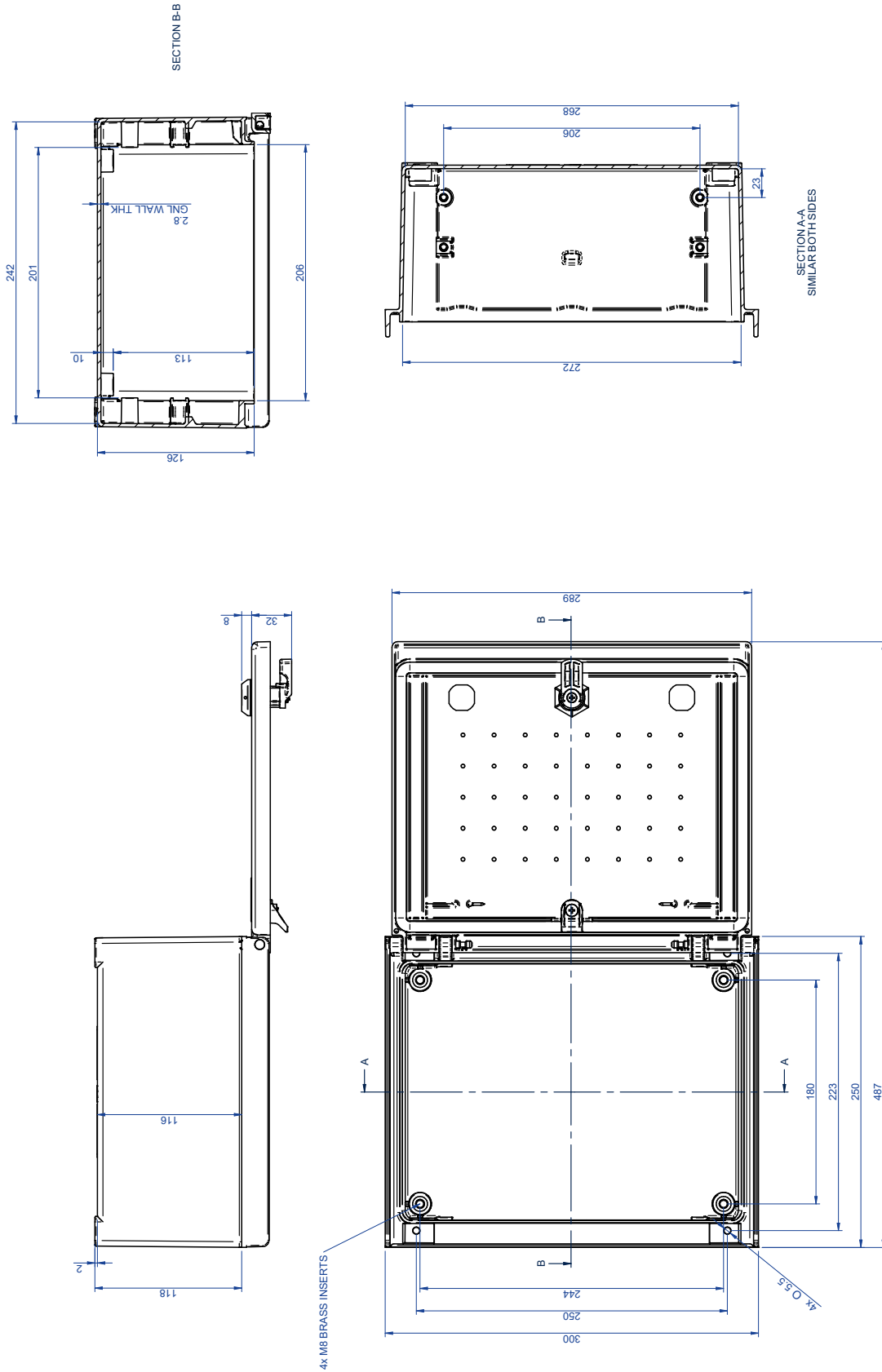
Specification

- Materials: Fiberglass Reinforced Polyester (GRP)
- Colours: Light Grey RAL 7035
- IP Rating: IP66 (IEC-60529)
- IK Rating: IK10 (IEC 62262)
- GWIT: 960°C (IEC-60695-2-10)
- Operating Temperature: -30°C to 70°C
- Compression Resistance: 100kg
- Nominal tension direct current up to: 1500 VDC
- Nominal tension alternating current up to: 1000 VAC
- Maximum power dissipation: DT=40°C (wall surface) 58.8 W
- Maximum interior weight: 18kg

Electrical Enclosure IP66 GRP

multicomp PRO

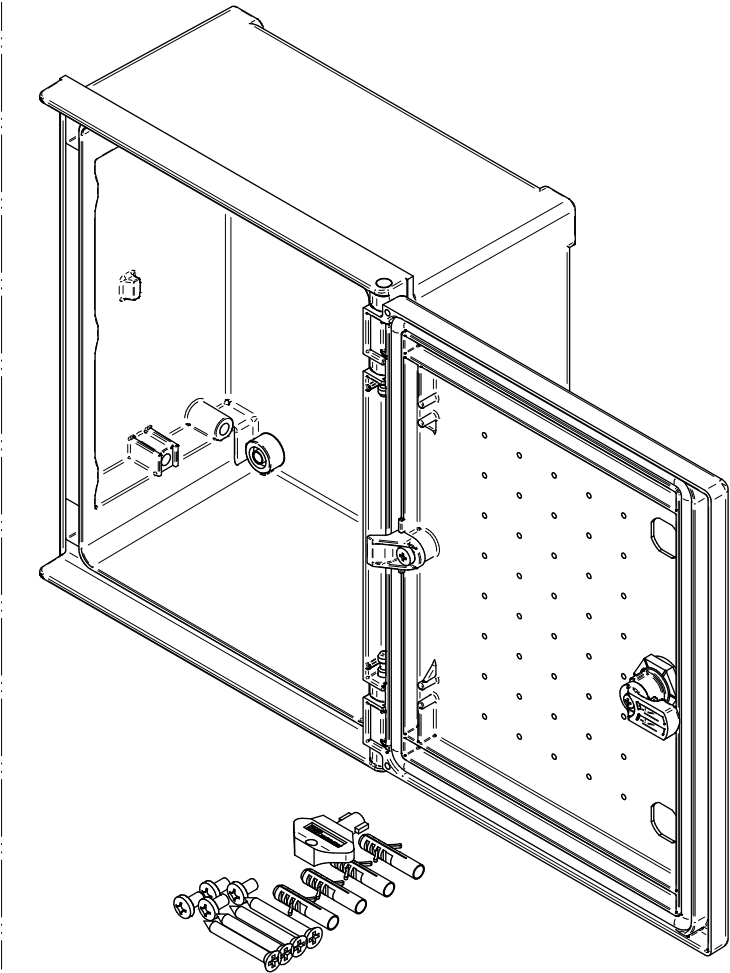
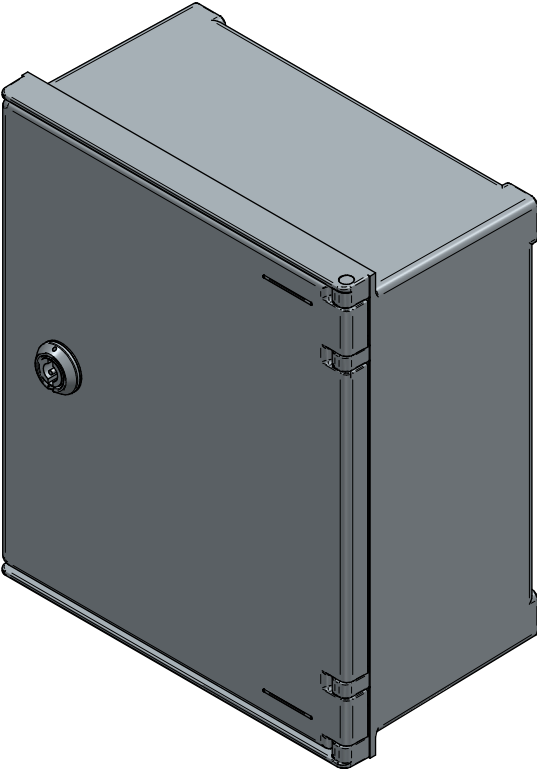
Drawing



Newark.com/multicomp-pro
Farnell.com/multicomp-pro
Element14.com/multicomp-pro


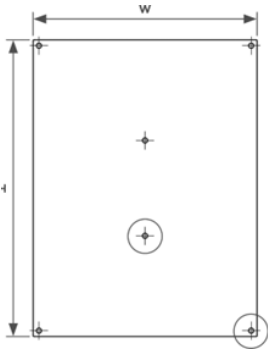
multicomp PRO

Perspective Drawing




Accessories

Metallic Mounting Plate

| | | |
|---|--|---|
|  |  <p>H = 262mm W = 198mm Thick = 2mm</p> | <p>Part Number: MP014798</p> |
|---|--|---|

Mounting Bracket

| | | |
|---|---|---|
|  | <p>The set includes four mounting brackets.</p> | <p>Part Number: MP014802</p> |
|---|---|---|

Part Number Table

| Description | Part Number |
|---|-------------|
| Electrical Enclosure, IP66, IK10, 250x300x140mm | MP014794 |
| Metallic Mounting Plate, 262mm × 198mm × 2mm | MP014798 |
| Wall Mounting Set, 4 Pcs | MP014802 |

Important Notice : This data sheet and its contents (the "Information") belong to the members of the AVNET group of companies (the "Group") or are licensed to it. No licence is granted for the use of it other than for information purposes in connection with the products to which it relates. No licence of any intellectual property rights is granted. The Information is subject to change without notice and replaces all data sheets previously supplied. The Information supplied is believed to be accurate but the Group assumes no responsibility for its accuracy or completeness, any error in or omission from it or for any use made of it. Users of this data sheet should check for themselves the Information and the suitability of the products for their purpose and not make any assumptions based on information included or omitted. Liability for loss or damage resulting from any reliance on the Information or use of it (including liability resulting from negligence or where the Group was aware of the possibility of such loss or damage arising) is excluded. This will not operate to limit or restrict the Group's liability for death or personal injury resulting from its negligence. Multicomp Pro is the registered trademark of Premier Farnell Limited 2019.