

R10-E1M4-V700 ✓ ACTIVE

Potter & Brumfield | Potter & Brumfield R10

TE Internal #: 6-1393765-0

Power Relays, General Purpose Power Relay, Monostable, 900 mW
Coil Power Rating DC, 700 Ω Coil Resistance, 24 VDC Coil Voltage,
Potter & Brumfield R10

[View on TE.com >](#)



Relays & Contactors > Relays > Power Relays



Relay Type: **General Purpose Power Relay**

Coil Magnetic System: **Monostable**

Coil Power Rating DC: **900 mW**

Coil Resistance: **700 Ω**

Coil Voltage Rating: **24 VDC**

Features

Product Type Features

Relay Type	General Purpose Power Relay
------------	-----------------------------

Configuration Features

Contact Special Features	Bifurcated/Twin Contacts
Contact Arrangement	4 Form C (CO)
Contact Number of Poles	4

Electrical Characteristics

Insulation Initial Dielectric Between Contacts & Coil	500 Vrms
Insulation Initial Dielectric Between Open Contacts	500 Vrms
Contact Limiting Making Current	5 A
Contact Limiting Short-Time Current	5 A
Contact Limiting Continuous Current	5 A
Insulation Initial Dielectric Between Adjacent Contacts	1000 Vrms
Insulation Initial Resistance	10000 M Ω
Contact Limiting Breaking Current	5 A
Coil Power Rating DC	900 mW
Coil Resistance	700 Ω
Coil Voltage Rating	24 VDC
Contact Current Rating	5 A

Contact Switching Load (Min)	300mA @ 12V
------------------------------	-------------

Contact Voltage Rating	120 VAC
------------------------	---------

Body Features

Product Weight	40 g[1.41 oz]
----------------	---------------

Contact Features

Contact Material	AgCdO
------------------	-------

Termination Features

Relay Connection Type	Plug-In
-----------------------	---------

Mechanical Attachment

Product Mounting Feature Type	Mounting Studs
-------------------------------	----------------

Product Mount Type	Socket
--------------------	--------

Dimensions

Product Width	18.66 mm[.734 in]
---------------	-------------------

Product Length	24.13 mm[.95 in]
----------------	------------------

Product Height	29.97 mm[1.17 in]
----------------	-------------------

Usage Conditions

Environmental Category of Protection	RTI
--------------------------------------	-----

Environmental Ambient Temperature (Max)	75 °C[167 °F]
---	---------------

Operating Temperature Range	-55 – 75 °C
-----------------------------	-------------

Operation/Application

Actuating System	DC
------------------	----

Coil Magnetic System	Monostable
----------------------	------------

Packaging Features

Packaging Method	Package
------------------	---------

Other

Length Class (Mechanical)	25 – 30 mm
---------------------------	------------

Insulation Initial Dielectric Between Coil & Contact Class	500 – 1000 V
--	--------------

Environmental Ambient Temperature Class	70 – 85 °C
---	------------

Height Class (Mechanical)	30 – 40 mm
---------------------------	------------

Coil Power Rating Class	800 – 1000 mW
-------------------------	---------------

Width Class (Mechanical)	16 – 20 mm
--------------------------	------------



Contact Current Class	16 A
-----------------------	------

Product Compliance





[For compliance documentation, visit the product page on TE.com>](#)

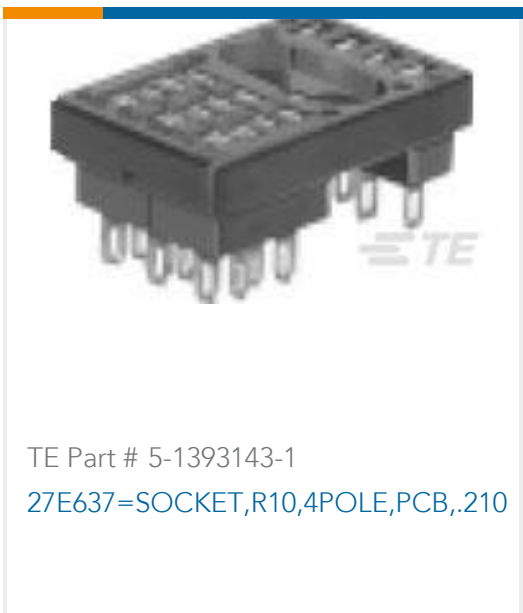
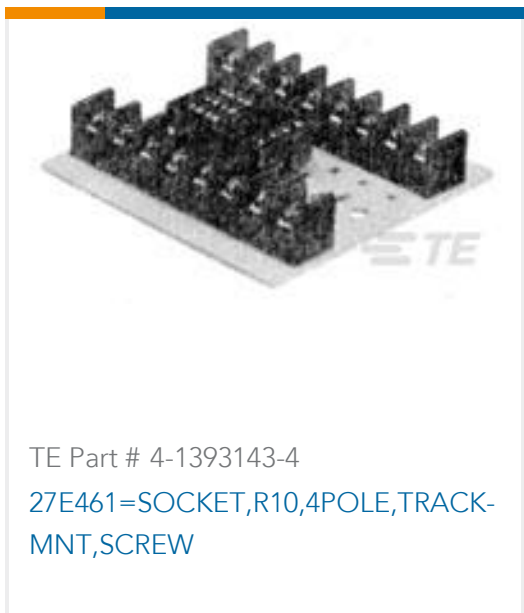
EU RoHS Directive 2011/65/EU	Compliant with Exemptions
EU ELV Directive 2000/53/EC	Compliant with Exemptions
China RoHS 2 Directive MIIT Order No 32, 2016	Restricted Materials Above Threshold
EU REACH Regulation (EC) No. 1907/2006	<p>Current ECHA Candidate List: JAN 2024 (240)</p> <p>Candidate List Declared Against: JAN 2023 (233)</p> <p>SVHC > Threshold:</p> <p>Cadmium oxide (7.95% in Component Part)</p> <p>Pb (3.7% in Component Part)</p> <p>Article Safe Usage Statements: Use personal protective equipment as required. Do not eat, drink or smoke when using this product. Wash thoroughly after handling. Recycle if possible and dispose of the article by following all applicable governmental regulations relevant to your geographic location.</p>
Halogen Content	Low Halogen - Br, Cl, F, I < 900 ppm per homogenous material. Also BFR/CFR/PVC Free
Solder Process Capability	Not applicable for solder process capability

Product Compliance Disclaimer

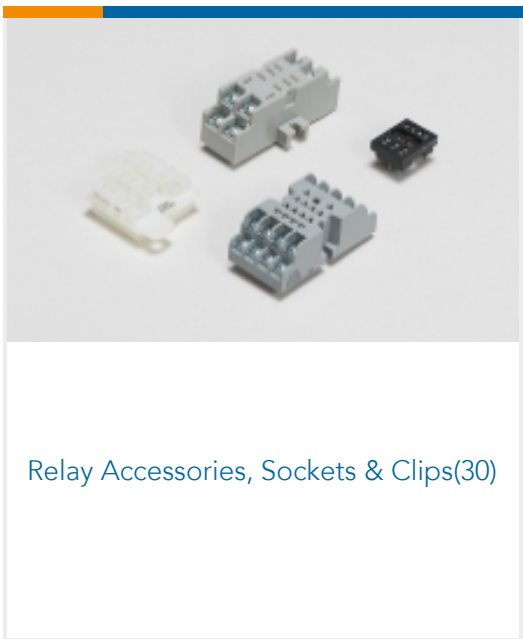
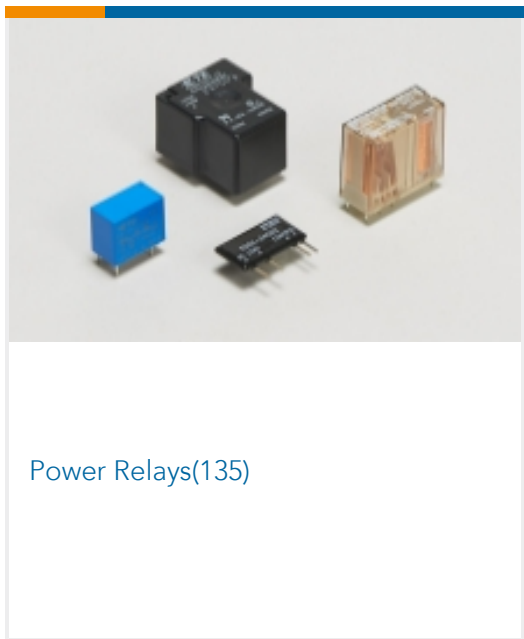
This information is provided based on reasonable inquiry of our suppliers and represents our current actual knowledge based on the information they provided. This information is subject to change. The part numbers that TE has identified as EU RoHS compliant have a maximum concentration of 0.1% by weight in homogenous materials for lead, hexavalent chromium, mercury, PBB, PBDE, DBP, BBP, DEHP, DIBP, and 0.01% for cadmium, or qualify for an exemption to these limits as defined in the Annexes of Directive 2011/65/EU (RoHS2). Finished electrical and electronic equipment products will be CE marked as required by Directive 2011/65/EU. Components may not be CE marked. Additionally, the part numbers that TE has identified as EU ELV compliant have a maximum concentration of 0.1% by weight in homogenous materials for lead, hexavalent chromium, and mercury, and 0.01% for cadmium, or qualify for an exemption to these limits as defined in the Annexes of Directive 2000/53/EC (ELV). Regarding the REACH Regulation, the information TE provides on SVHC in articles for this part number is based on the latest European Chemicals Agency (ECHA) 'Guidance on requirements for substances in articles' posted at this URL: <https://echa.europa.eu/guidance-documents/guidance-on-reach>

Compatible Parts

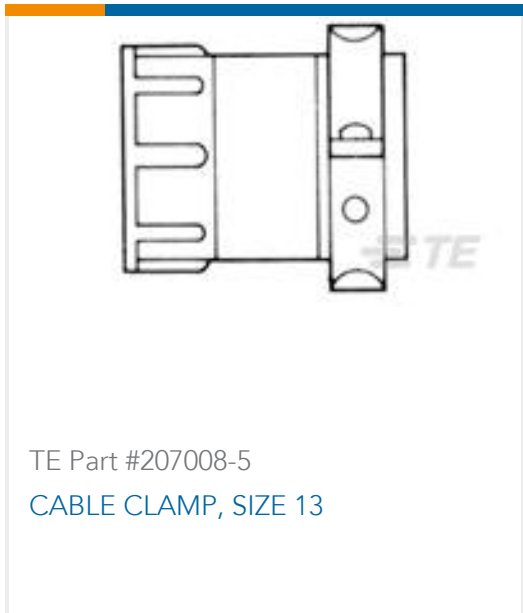
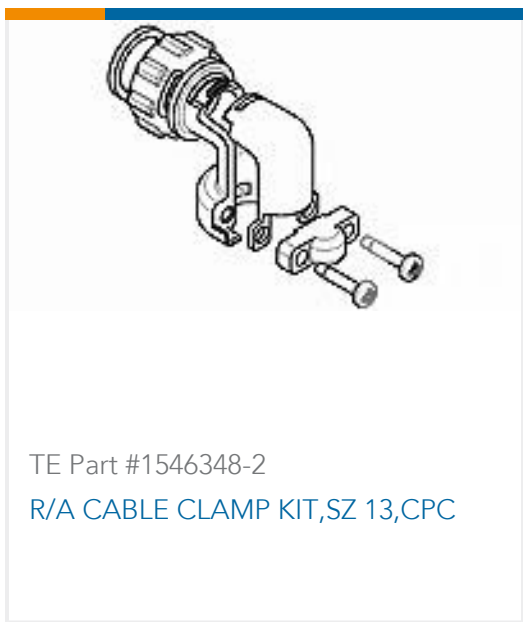
 <p>TE Part # 1-1393143-2 27E129=SOCKET,R10,16,PC,PHEN</p>	 <p>TE Part # 1393143-9 27E126=SOCKET,R10,16,SLG,PHE</p>	 <p>TE Part # 1-1393143-5 27E152=SOCKET,R10,ASSY,W/BRK</p>	 <p>TE Part # 2-1393143-2 27E194=SOCKET,R10,16,PC,PHEN</p>
---	---	---	---



Also in the Series | **Potter & Brumfield R10**



Customers Also Bought





Documents

CAD Files

3D PDF

3D

Customer View Model

[ENG_CVM_CVM_6-1393765-0_A.2d_dxf.zip](#)

English

Customer View Model

[ENG_CVM_CVM_6-1393765-0_A.3d_igs.zip](#)

English

Customer View Model

[ENG_CVM_CVM_6-1393765-0_A.3d_stp.zip](#)

English

By downloading the CAD file I accept and agree to the [Terms and Conditions](#) of use.

Datasheets & Catalog Pages

[R10 General Purpose Dry Circuit to 7.5 Amp Multicontact AC or DC Relay](#)

English

Product Specifications

[Definitions General Purpose Relays](#)

English

Agency Approvals

[CSA Certificate](#)

English