



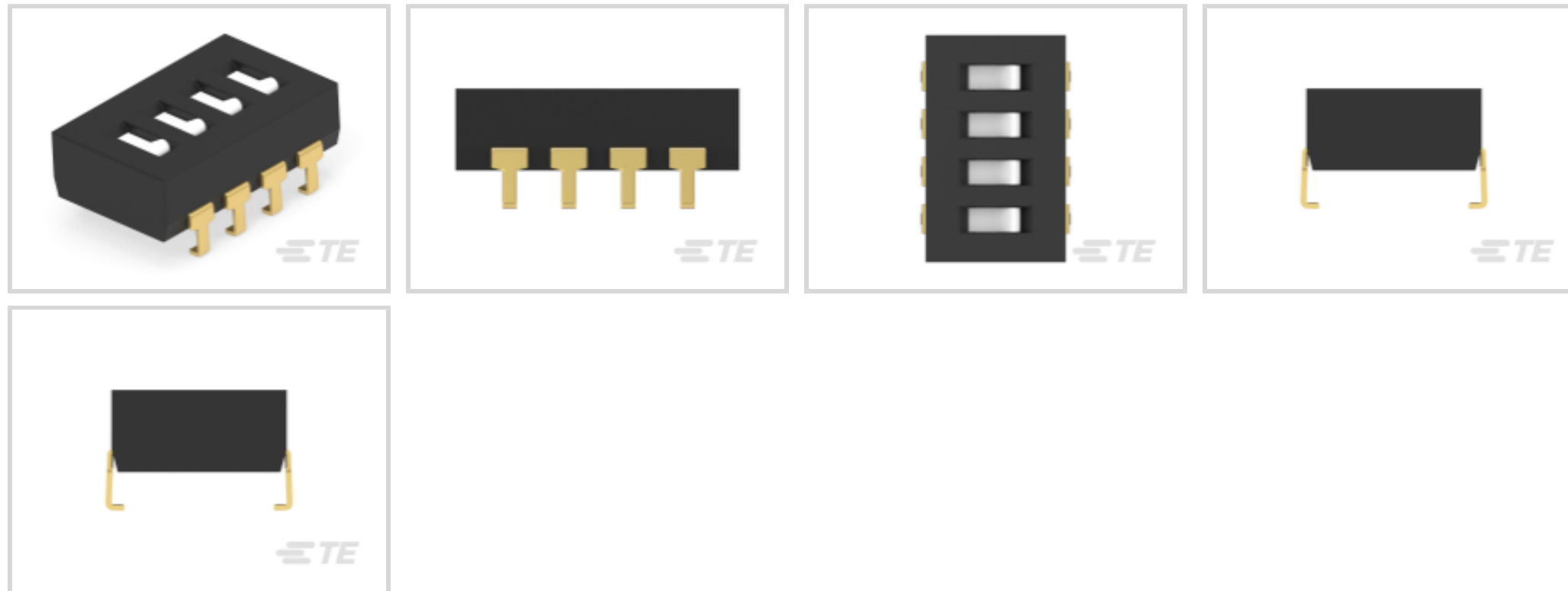
Alcoswitch | Alcoswitch DIP, Alcoswitch DIP ADF

TE Internal #: 1-1825059-6

DIP & SIP Switches, Gold Flash, Black, Polyphenylene Sulfide (PPS), Sealed Device, 4 Switch, -30 – 85 °C, DIP, Alcoswitch DIP

[View on TE.com >](#)

Switches > DIP & SIP Switches



Switch Contact Plating Material: **Gold Flash**

Case Color: **Black**

Case Material: **Polyphenylene Sulfide (PPS)**

Sealed Device: **Yes**

Number of Switches: **4**

Features

Product Type Features

Leg Style	J Style
Sealed Device	Yes
DIP & SIP Switch Type	DIP
Actuator Style	Flush, Slide

Configuration Features

Number of Positions	4
Number of Switches	4
Configuration (Pole-Throw)	Single Pole - Single Throw

Electrical Characteristics

Contact Current Rating	1 A
Operating Voltage	5 VDC

Body Features

Actuator Color	White
Sealing Method	Sealing Tape



Case Color	Black
------------	-------

Case Material	Polyphenylene Sulfide (PPS)
---------------	-----------------------------

Contact Features

	1.2 µin
--	---------

PCB Contact Termination Area Plating Material	Nickel
---	--------

Switch Contact Plating Material	Gold Flash
---------------------------------	------------

Contact Base Material	Copper Alloy
-----------------------	--------------

Termination Features

Termination Method to Printed Circuit Board	Surface Mount
---	---------------

Housing Features

Centerline (Pitch)	2.54 mm[.1 in]
--------------------	----------------

Dimensions

Product Length	12.14 mm[.478 in]
----------------	-------------------

Product Height	3.5 mm[.138 in]
----------------	-----------------

Usage Conditions

Operating Temperature Range	-30 – 85 °C
-----------------------------	-------------

Operation/Application

Assembly Process Feature	Auto-Insert Packaging
--------------------------	-----------------------

Industry Standards

UL Flammability Rating	UL 94V-0
------------------------	----------

Packaging Features

Packaging Quantity	500
--------------------	-----

Packaging Method	Tape & Reel
------------------	-------------

Product Compliance

[For compliance documentation, visit the product page on TE.com>](#)

EU RoHS Directive 2011/65/EU	Compliant
------------------------------	-----------

EU ELV Directive 2000/53/EC	Compliant
-----------------------------	-----------

China RoHS 2 Directive MIIT Order No 32, 2016	No Restricted Materials Above Threshold
---	---

EU REACH Regulation (EC) No. 1907/2006	Current ECHA Candidate List: JAN 2024 (240) Candidate List Declared Against: JAN 2024 (240)
--	--



Does not contain REACH SVHC

Halogen Content

Low Halogen - Br, Cl, F, I < 900 ppm per homogenous material. Also BFR/CFR/PVC Free

Solder Process Capability

Reflow solder capable to 260°C

Product Compliance Disclaimer

This information is provided based on reasonable inquiry of our suppliers and represents our current actual knowledge based on the information they provided. This information is subject to change. The part numbers that TE has identified as EU RoHS compliant have a maximum concentration of 0.1% by weight in homogenous materials for lead, hexavalent chromium, mercury, PBB, PBDE, DBP, BBP, DEHP, DIBP, and 0.01% for cadmium, or qualify for an exemption to these limits as defined in the Annexes of Directive 2011/65/EU (RoHS2). Finished electrical and electronic equipment products will be CE marked as required by Directive 2011/65/EU. Components may not be CE marked. Additionally, the part numbers that TE has identified as EU ELV compliant have a maximum concentration of 0.1% by weight in homogenous materials for lead, hexavalent chromium, and mercury, and 0.01% for cadmium, or qualify for an exemption to these limits as defined in the Annexes of Directive 2000/53/EC (ELV). Regarding the REACH Regulation, the information TE provides on SVHC in articles for this part number is based on the latest European Chemicals Agency (ECHA) 'Guidance on requirements for substances in articles' posted at this URL: <https://echa.europa.eu/guidance-documents/guidance-on-reach>

Compatible Parts



TE Part # 4-1825059-2
ADF08STTR04=DIP S,FLUSH,SMT-GW



TE Part # 1-1825059-3
ADF04S04=DIP SWT,FLUSH,SMT-GW



TE Part # 1-1825059-8
ADF04STTR04=DIP S,FLUSH,SMT-GW



TE Part # 5-1825059-4
ADF10STTR04=DIP S,FLUSH,SMT-GW

TE Part # 6-1825059-3
ADF06STR04

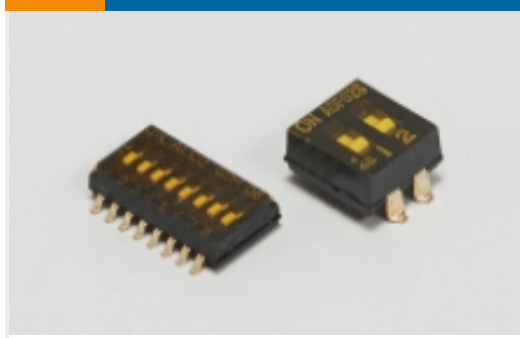
TE Part # 1977208-3
ADF04SATR04900=4POS DIP

TE Part # 1977208-4
ADF12SATR04900=12POS DIP

TE Part # 1977208-1
ADF04SATR04900=4 Pos DIP switch special

TE Part # 1977208-2
ADF12SATR04900=12pos DIP switch spec

Also in the Series | **Alcoswitch DIP**

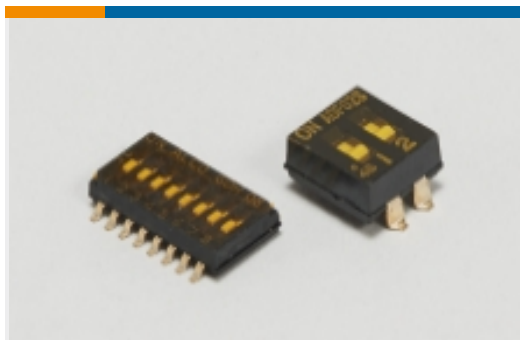


DIP & SIP Switches(185)



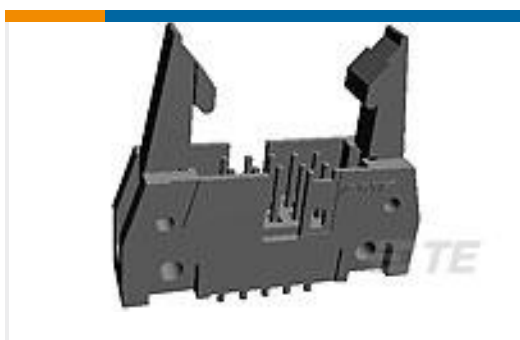
Rotary Switches(16)

Also in the Series | **Alcoswitch DIP ADF**



DIP & SIP Switches(66)

Customers Also Bought



TE Part #5499374-5
A/L UNIV HDR 24P VERT SHT LAT



TE Part #1775470-8
HPI CONN., 2.0MM, V/T, SMT, 8P, 80U"



TE Part #2132415-4
EP2.5 Shrouded HDR ASSY 4P VERT w /o boss



TE Part #2-1123723-4
3.96 EP HDR ASSY 4P(YELLOW)



TE Part #1-103638-3
14 MTE HDR SRST LATCH .100CL



TE Part #4-1123724-2
3.96EP HDR ASSY 2(3)P RED



TE Part #4-1123723-5
3.96 EP HDR ASSY 5P(RED)



TE Part #4-1123724-3
3.96EP HDR ASSY 3(5)P RED



TE Part #6-1565036-5
EP CONN. HDR ASSY 5/6P W/O#5
BLUE



TE Part #8-1717011-4
EP CONN.HDR ASSY 4/5P BLACK
(NO.3 POST)

Documents

CAD Files

[3D PDF](#)

3D

Customer View Model

[ENG_CVM_CVM_1-1825059-6_B.2d_dxf.zip](#)

English

Customer View Model

[ENG_CVM_CVM_1-1825059-6_B.3d_igs.zip](#)

English

Customer View Model

[ENG_CVM_CVM_1-1825059-6_B.3d_stp.zip](#)

English

By downloading the CAD file I accept and agree to the [Terms and Conditions](#) of use.

Datasheets & Catalog Pages

[SWITCHES_CORE_PROGRAM_CATALOG](#)

English

[ADE_ADP_ADF_Datasheet](#)

English