



Switches > Toggle Switches

Configuration (Pole-Throw): **Single Pole - Double Throw**Bushing Thread Size: **10-48**Switch Contact Plating Material: **Gold**Process Sealed: **No**Toggle Style: **Baton Standard**

Features

Product Type Features

| | |
|------------------------|----------------|
| Switch Connection Type | Wire Wrap |
| Sealed Device | Yes |
| Toggle Style | Baton Standard |
| Switch Type | Toggle |

Configuration Features

| | |
|----------------------------|----------------------------|
| Configuration (Pole-Throw) | Single Pole - Double Throw |
| Operating Function | On On |

Electrical Characteristics

| | |
|------------------------|--------|
| Contact Current Rating | .4 A |
| Operating Voltage | 20 VDC |

Body Features

| | |
|---------------------|----------|
| Case Color | Red |
| Bushing Thread Size | 10-48 |
| Product Orientation | Vertical |
| Bushing Style | Threaded |

Contact Features

| | |
|---------------------------------|------|
| Switch Contact Plating Material | Gold |
|---------------------------------|------|

Mechanical Attachment

| | |
|--------------------|-------|
| Product Mount Type | Panel |
|--------------------|-------|

Housing Features

| | |
|----------------|----|
| Process Sealed | No |
|----------------|----|

Dimensions

| | |
|---------------|-----------------|
| Toggle Length | 7.37 mm[.29 in] |
|---------------|-----------------|

Industry Standards

| | |
|------------------------|----------|
| UL Flammability Rating | UL 94V-0 |
|------------------------|----------|

Product Compliance

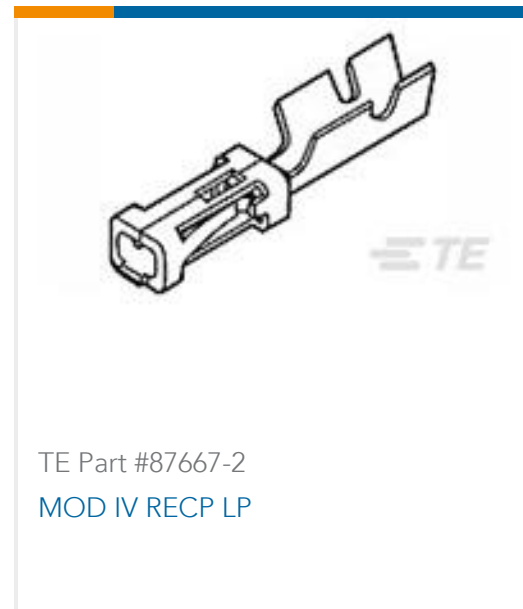
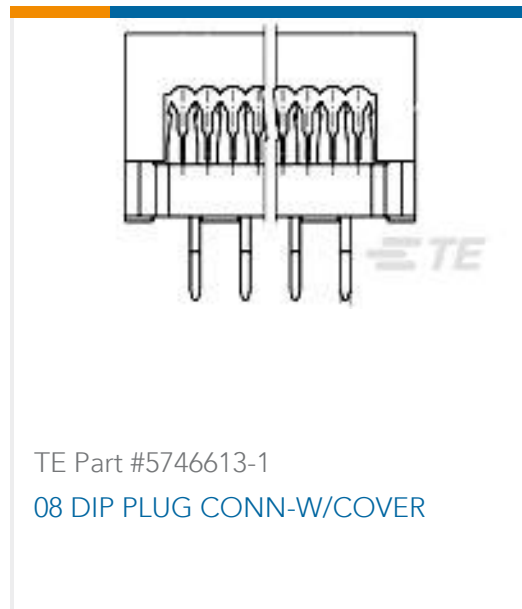
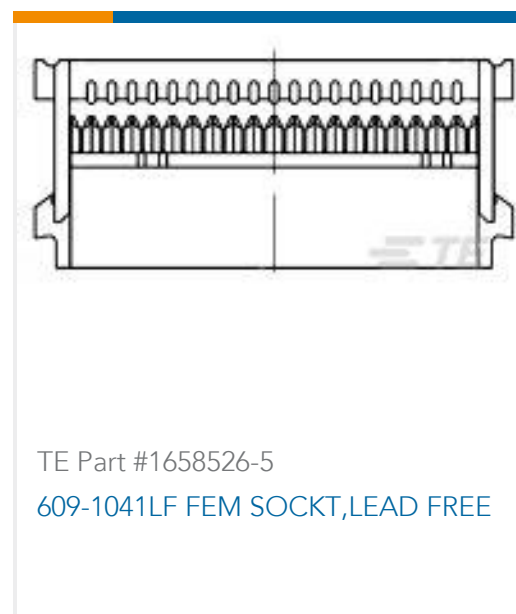
[For compliance documentation, visit the product page on TE.com>](#)

| | |
|---|--|
| EU RoHS Directive 2011/65/EU | Compliant with Exemptions |
| EU ELV Directive 2000/53/EC | Compliant with Exemptions |
| China RoHS 2 Directive MIIT Order No 32, 2016 | Restricted Materials Above Threshold |
| EU REACH Regulation (EC) No. 1907/2006 | Current ECHA Candidate List: JAN 2024 (240) Candidate List Declared Against: JAN 2024 (240) SVHC > Threshold: Pb (4% in Component Part) Article Safe Usage Statements: Do not eat, drink or smoke when using this product. Wash thoroughly after handling. Recycle if possible and dispose of the article by following all applicable governmental regulations relevant to your geographic location. |
| Halogen Content | Low Halogen - Br, Cl, F, I < 900 ppm per homogenous material. Also BFR/CFR/PVC Free |
| Solder Process Capability | Wave solder capable to 260°C |

Product Compliance Disclaimer

This information is provided based on reasonable inquiry of our suppliers and represents our current actual knowledge based on the information they provided. This information is subject to change. The part numbers that TE has identified as EU RoHS compliant have a maximum concentration of 0.1% by weight in homogenous materials for lead, hexavalent chromium, mercury, PBB, PBDE, DBP, BBP, DEHP, DIBP, and 0.01% for cadmium, or qualify for an exemption to these limits as defined in the Annexes of Directive 2011/65/EU (RoHS2). Finished electrical and electronic equipment products will be CE marked as required by Directive 2011/65/EU. Components may not be CE marked. Additionally, the part numbers that TE has identified as EU ELV compliant have a maximum concentration of 0.1% by weight in homogenous materials for lead, hexavalent chromium, and mercury, and 0.01% for cadmium, or qualify for an exemption to these limits as defined in the Annexes of Directive 2000/53/EC (ELV). Regarding the REACH Regulation, the information TE provides on SVHC in articles for this part number is based on the latest European Chemicals Agency (ECHA) 'Guidance on requirements for substances in articles' posted at this URL: <https://echa.europa.eu/guidance-documents/guidance-on-reach>

Customers Also Bought



Documents

Product Drawings

[TMS1T3B1M5RE](#)

English

CAD Files

Customer View Model

[ENG_CVM_CVM_2267079-1_A1.3d_igs.zip](#)

English

Customer View Model

[ENG_CVM_CVM_2267079-1_A1.3d_stp.zip](#)

English

Customer View Model

[ENG_CVM_CVM_2267079-1_A1.2d_dxf.zip](#)

English

[3D PDF](#)

3D

By downloading the CAD file I accept and agree to the [Terms and Conditions](#) of use.

Datasheets & Catalog Pages



[Subminiature Switches](#)

English