

2102317-1 ✓ ACTIVE

## Fortis Zd

TE Internal #: 2102317-1

High Speed Backplane Connectors, 90 Position, 9 Row, 10 Column,  
PCB Mount Header, Right Angle, Partially Shrouded, 1.9 in [.08 mm]  
Centerline

[View on TE.com >](#)



[Connectors](#) > [PCB Connectors](#) > [Backplane Connectors](#) > [High Speed Backplane Connectors](#) > [Backplane Connector: Plug-in module](#)



Number of Positions: **90**

Row-to-Row Spacing: **1.6 mm [ .06 in ]**

Mating Alignment: **Without**

Number of Rows: **9**

Number of Columns: **10**

[All Backplane Connector: Plug-in module \(33\)](#)

## Features

### Product Type Features

Signal Arrangement	Single Ended
Connector System	Board-to-Board
Connector & Contact Terminates To	Printed Circuit Board
PCB Connector Assembly Type	PCB Mount Header
Shroud Style	Partially Shrouded

### Configuration Features

Backplane Architecture	Traditional Backplane
Number of Positions	90
Number of Rows	9
Number of Columns	10
PCB Mount Orientation	Right Angle
Guide Location	Right

### Contact Features

Contact Current Rating (Max)	1.5 A
------------------------------	-------

### Mechanical Attachment

Mating Alignment	Without
Connector Mounting Type	Panel Mount



### Housing Features

Number of Shrouded Sides	3
Centerline (Pitch)	.08 mm[1.9 in]

### Dimensions

Row-to-Row Spacing	1.6 mm[.06 in]
--------------------	----------------

### Usage Conditions

Operating Temperature Range	-65 – 125 °C[-85 – 257 °F]
-----------------------------	----------------------------

### Operation/Application

Circuit Application	Signal
---------------------	--------

### Product Compliance

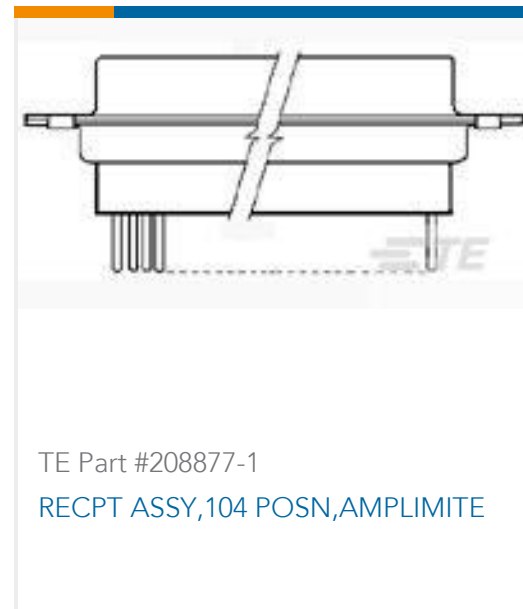
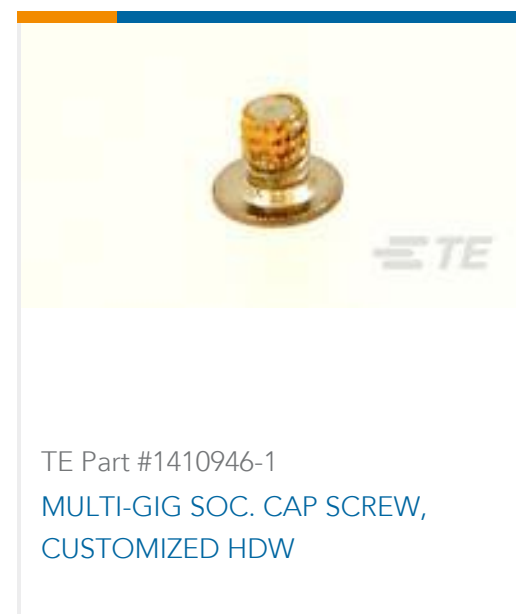
[For compliance documentation, visit the product page on TE.com>](#)

EU RoHS Directive 2011/65/EU	Compliant
EU ELV Directive 2000/53/EC	Not Compliant
China RoHS 2 Directive MIIT Order No 32, 2016	No Restricted Materials Above Threshold
EU REACH Regulation (EC) No. 1907/2006	Current ECHA Candidate List: JAN 2024 (240) Candidate List Declared Against: JAN 2024 (240) Does not contain REACH SVHC
Halogen Content	Low Halogen - Br, Cl, F, I < 900 ppm per homogenous material. Also BFR/CFR/PVC Free
Solder Process Capability	Not reviewed for solder process capability

#### Product Compliance Disclaimer

This information is provided based on reasonable inquiry of our suppliers and represents our current actual knowledge based on the information they provided. This information is subject to change. The part numbers that TE has identified as EU RoHS compliant have a maximum concentration of 0.1% by weight in homogenous materials for lead, hexavalent chromium, mercury, PBB, PBDE, DBP, BBP, DEHP, DIBP, and 0.01% for cadmium, or qualify for an exemption to these limits as defined in the Annexes of Directive 2011/65/EU (RoHS2). Finished electrical and electronic equipment products will be CE marked as required by Directive 2011/65/EU. Components may not be CE marked. Additionally, the part numbers that TE has identified as EU ELV compliant have a maximum concentration of 0.1% by weight in homogenous materials for lead, hexavalent chromium, and mercury, and 0.01% for cadmium, or qualify for an exemption to these limits as defined in the Annexes of Directive 2000/53/EC (ELV). Regarding the REACH Regulation, the information TE provides on SVHC in articles for this part number is based on the latest European Chemicals Agency (ECHA) 'Guidance on requirements for substances in articles' posted at this URL: <https://echa.europa.eu/guidance-documents/guidance-on-reach>

### Customers Also Bought



## Documents

### Product Drawings

#### Fortis Zd 10 Col R/A Right Assy SE

English

### CAD Files

#### 3D PDF

3D

#### Customer View Model

[ENG\\_CVM\\_CVM\\_2102317-1\\_B.2d\\_dxf.zip](#)

English

#### Customer View Model

[ENG\\_CVM\\_CVM\\_2102317-1\\_B.3d\\_igs.zip](#)

English

#### Customer View Model

[ENG\\_CVM\\_CVM\\_2102317-1\\_B.3d\\_stp.zip](#)

English

By downloading the CAD file I accept and agree to the [Terms and Conditions](#) of use.

### Datasheets & Catalog Pages

#### Fortis Zd LRM

English

#### Fortis Zd Connector Brochure

English

### Product Specifications

#### Application Specification

English

2102317-1

High Speed Backplane Connectors, 90 Position, 9 Row, 10 Column, PCB Mount  
Header, Right Angle, Partially Shrouded, 1.9 in [.08 mm] Centerline

