

5650897-4 ✓ ACTIVE

EUROCARD | Eurocard Type R

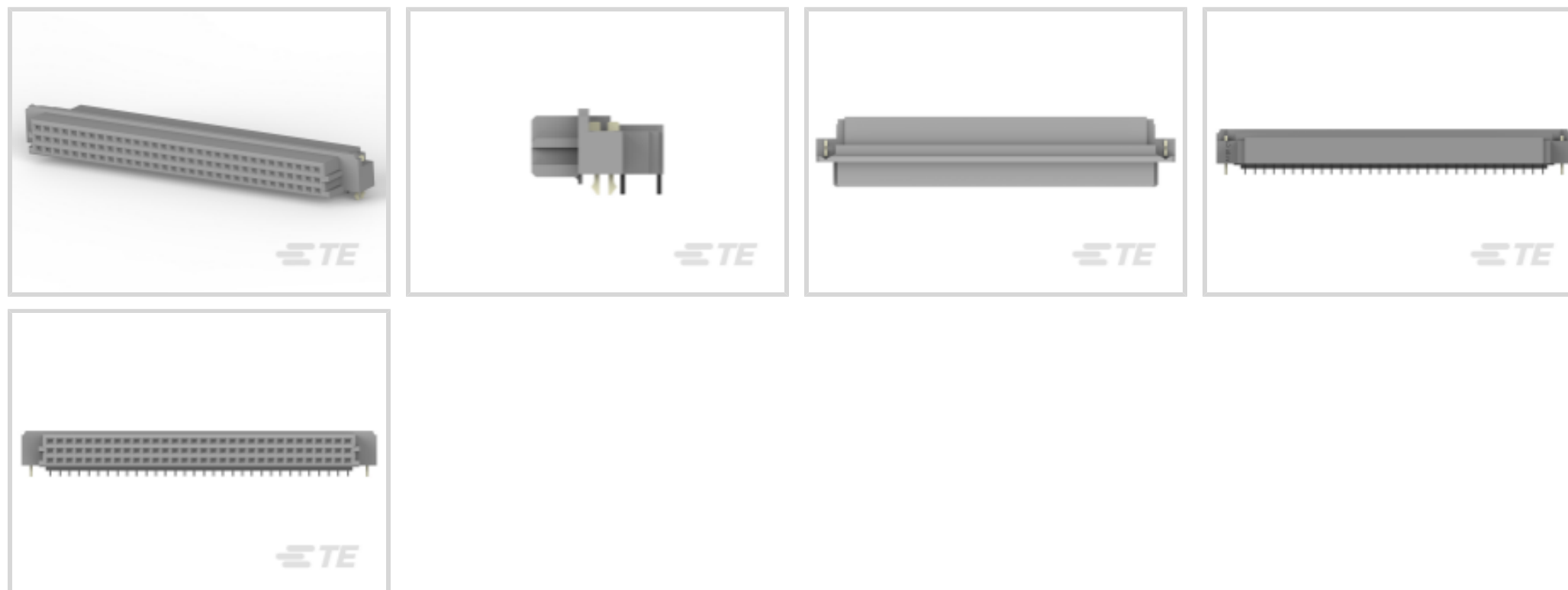
TE Internal #: 5650897-4

Eurocard Connectors, Receptacle, Board-to-Board, 64 Position, .1 in [2.54 mm] Centerline, Printed Circuit Board, 3 Row, Right Angle, Eurocard Type R

[View on TE.com >](#)



Connectors > PCB Connectors > Backplane Connectors > Eurocard Connectors



Connector & Housing Type: **Receptacle**

Connector System: **Board-to-Board**

Termination Post & Tail Length: **2.79 mm [ .11 in ]**

Number of Positions: **64**

Centerline (Pitch): **2.54 mm [ .1 in ]**

## Features

### Product Type Features

|                                   |                       |
|-----------------------------------|-----------------------|
| Connector & Housing Type          | Receptacle            |
| Connector System                  | Board-to-Board        |
| Connector & Contact Terminates To | Printed Circuit Board |
| DIN Size                          | Standard              |
| DIN Level                         | II                    |

### Configuration Features

|                            |             |
|----------------------------|-------------|
| Number of Positions        | 64          |
| Number of Rows             | 3           |
| PCB Mount Orientation      | Right Angle |
| Number of Columns          | 32          |
| Number of Signal Positions | 64          |
| Rows Loaded                | A, C        |

### Electrical Characteristics

|                   |         |
|-------------------|---------|
| Operating Voltage | 250 VAC |
|-------------------|---------|



### Body Features

|                       |      |
|-----------------------|------|
| Primary Product Color | Gray |
|-----------------------|------|

### Contact Features

|   |  |
|---|--|
| PCB Contact Termination Area Plating Material Thickness | 2.54 $\mu\text{m}$ [100 $\mu\text{in}$ ] |
| Contact Type  | Socket                                   |
| Contact Mating Area Plating Material Thickness          | .76 $\mu\text{m}$ [30 $\mu\text{in}$ ]   |
| Contact Mating Area Plating Material                    | Gold                                     |
| PCB Contact Termination Area Plating Material           | Tin                                      |
| Contact Base Material                                   | Copper Alloy                             |
| Contact Current Rating (Max)                            | 1.5 A                                    |

### Termination Features

|   |                       |
|---|-----------------------|
| Termination Method to Printed Circuit Board | Through Hole - Solder |
| Termination Post & Tail Length              | 2.79 mm[.11 in]       |

### Mechanical Attachment

|                          |             |
|--------------------------|-------------|
| Mating Retention         | Without     |
| Mating Alignment         | Without     |
| PCB Mount Alignment      | Without     |
| Panel Mount Feature      | Without     |
| PCB Mount Retention      | With        |
| PCB Mount Retention Type | Boardlock   |
| Connector Mounting Type  | Board Mount |

### Housing Features

|                    |                |
|--------------------|----------------|
| Housing Material   | Polymer - GF   |
| Centerline (Pitch) | 2.54 mm[.1 in] |

### Dimensions

|                             |                   |
|-----------------------------|-------------------|
| Connector Height            | 10.49 mm[.413 in] |
| PCB Thickness (Recommended) | 1.57 mm[.062 in]  |
| Row-to-Row Spacing          | 2.54 mm[.1 in]    |

### Usage Conditions

|                             |  |
|-----------------------------|--|
| Operating Temperature Range | -55 – 105 $^{\circ}\text{C}$ [-67 – 221 $^{\circ}\text{F}$ ] |
|-----------------------------|--|

### Operation/Application

|                     |        |
|---------------------|--------|
| Circuit Application | Signal |
|---------------------|--------|



### Industry Standards

|                        |          |
|------------------------|----------|
| UL Flammability Rating | UL 94V-0 |
|------------------------|----------|

### Packaging Features

|                  |     |
|------------------|-----|
| Packaging Method | Box |
|------------------|-----|

### Product Compliance

[For compliance documentation, visit the product page on TE.com>](#)

|   |   |
|---|---|
| EU RoHS Directive 2011/65/EU                  | Compliant   |
| EU ELV Directive 2000/53/EC                   | Compliant   |
| China RoHS 2 Directive MIIT Order No 32, 2016 | No Restricted Materials Above Threshold   |
| EU REACH Regulation (EC) No. 1907/2006        | Current ECHA Candidate List: JAN 2024 (240)<br>Candidate List Declared Against: JAN 2024 (240)<br>Does not contain REACH SVHC |
| Halogen Content                               | Low Halogen - Br, Cl, F, I < 900 ppm per homogenous material. Also BFR/CFR/PVC Free   |
| Solder Process Capability                     | Wave solder capable to 265°C  |

#### Product Compliance Disclaimer

This information is provided based on reasonable inquiry of our suppliers and represents our current actual knowledge based on the information they provided. This information is subject to change. The part numbers that TE has identified as EU RoHS compliant have a maximum concentration of 0.1% by weight in homogenous materials for lead, hexavalent chromium, mercury, PBB, PBDE, DBP, BBP, DEHP, DIBP, and 0.01% for cadmium, or qualify for an exemption to these limits as defined in the Annexes of Directive 2011/65/EU (RoHS2). Finished electrical and electronic equipment products will be CE marked as required by Directive 2011/65/EU. Components may not be CE marked. Additionally, the part numbers that TE has identified as EU ELV compliant have a maximum concentration of 0.1% by weight in homogenous materials for lead, hexavalent chromium, and mercury, and 0.01% for cadmium, or qualify for an exemption to these limits as defined in the Annexes of Directive 2000/53/EC (ELV). Regarding the REACH Regulation, the information TE provides on SVHC in articles for this part number is based on the latest European Chemicals Agency (ECHA) 'Guidance on requirements for substances in articles' posted at this URL: <https://echa.europa.eu/guidance-documents/guidance-on-reach>

### Compatible Parts




TE Part # 5650945-5  
ASSY,PIN,EUROCARD,TYPE C,LEAD-



TE Part # 650934-5  
064 EURO TYPE R PIN ST ASSY



TE Part # 5650933-5  
ASSY,PIN,EUROCARD,TYPE R,LEAD-



TE Part # 5650951-5  
ASSY,PIN,EUROCARD,TYPE C,LEAD-



TE Part # 5650870-5  
ASSEMBLY,RECEPTACLE,EURO,TYPE



TE Part # 5535059-4  
ASSY,RECEPTACLE,EURO,TYPE C,L-FREE,A&C,6



TE Part # 650408-5  
064 EURO TYPE C RECEPT ST ASSY



TE Part # 5536356-5  
ASSY,PIN,EUROCARD,"C",LEAD-FREE,A&C,64/9



TE Part # 5650934-5  
ASSY,PIN,EUROCARD,TYPE R,LEAD-



TE Part # 5650956-5  
ASSEMBLY,RECEPTACLE,EURO,TYPE



TE Part # 650458-5  
064 EURO TYPE C RECEPT ST ASSY



TE Part # 650912-5  
064 EURO TYPE R PIN AP ASSY



TE Part # 650945-5  
064 EURO TYPE C PIN ST ASSY



TE Part # 536098-5  
064 EURO TYP R PIN AP MFBL ASY



TE Part # 5650912-5  
ASSY,PIN,EUROCARD,TYPE R,LEAD-FREE,A&C,6



TE Part # 5650983-5  
ASSY,RECEPT,EURO,TYPE C,L-FREE,A&C,64/96



TE Part # 650933-5  
064 EURO TYPE R PIN ST ASSY



TE Part # 650951-5  
064 EURO TYPE C PIN ST ASSY

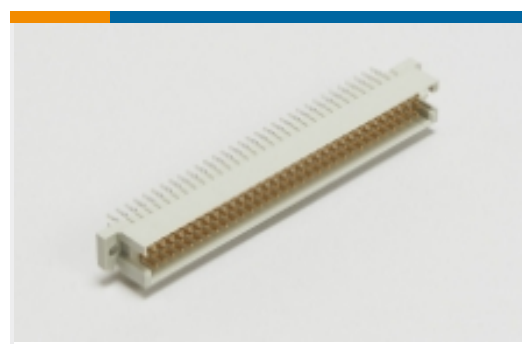


TE Part # 2-1393640-5  
V42254B2102C963=PC612 FEDERLEI

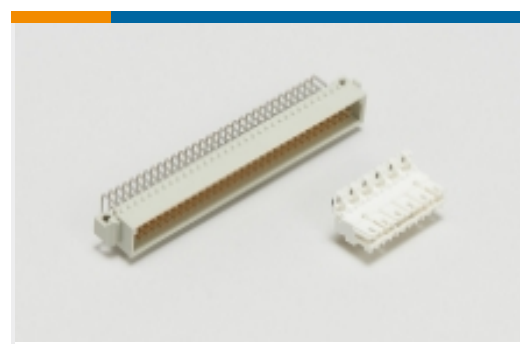


TE Part # 650850-5  
032 EURO TYPE C RECEPT AP ASSY

Also in the Series | Eurocard Type R

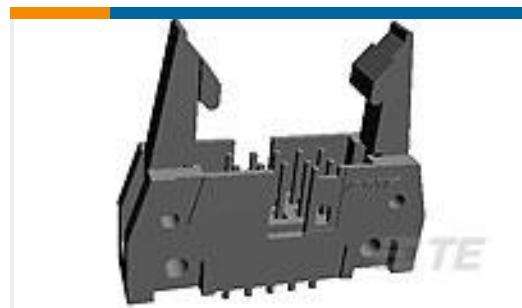
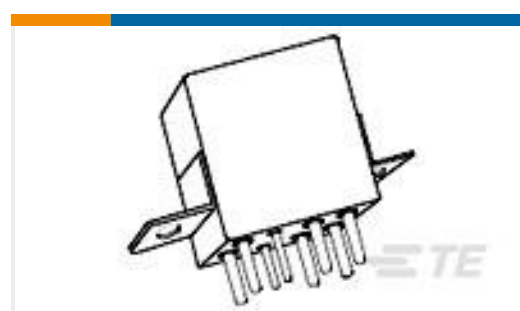
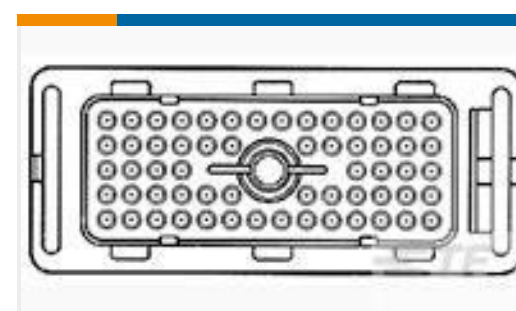


Eurocard Connectors(79)



Standard Edge Connectors(1)

## Customers Also Bought

TE Part #5499374-8  
A/L UNIV HDR 34P VERT SHT LATTE Part #207541-7  
MMATE PIN HEADER ASSY,3P LFTE Part #643960-1  
03P MTA156 HDR ASSY STR W/O#2TE Part #3-1879215-6  
CPF 0402 9K53 0.1% 25PPM 1K RLTE Part #5-1546686-3  
6PCV-05-1396=0.375" 6 Series Tri-BarrierTE Part #9-1617748-2  
FCA-210-0919M=M83536/9-019MTE Part #1-208223-0  
CPC RCPT ASSEMBLY SIZE 13-9TE Part #211580-5  
MMATE,RCPT,62P,PSTD LFTE Part #2-1617799-5  
FCAC-325-BZ4=RELAY

## Documents

### Product Drawings

[ASSY,RECEPT,EURO,TYPE R,L-FREE,A&C,64/96](#)

English

### CAD Files

[3D PDF](#)

3D

### Customer View Model

[ENG\\_CVM\\_CVM\\_5650897-4\\_O.2d\\_dxf.zip](#)



English

Customer View Model

[ENG\\_CVM\\_CVM\\_5650897-4\\_O.3d\\_igs.zip](#)

English

Customer View Model

[ENG\\_CVM\\_CVM\\_5650897-4\\_O.3d\\_stp.zip](#)

English

By downloading the CAD file I accept and agree to the [Terms and Conditions](#) of use.

**Product Specifications**

[Application Specification](#)

English