

1-111494-8 ✓ ACTIVE



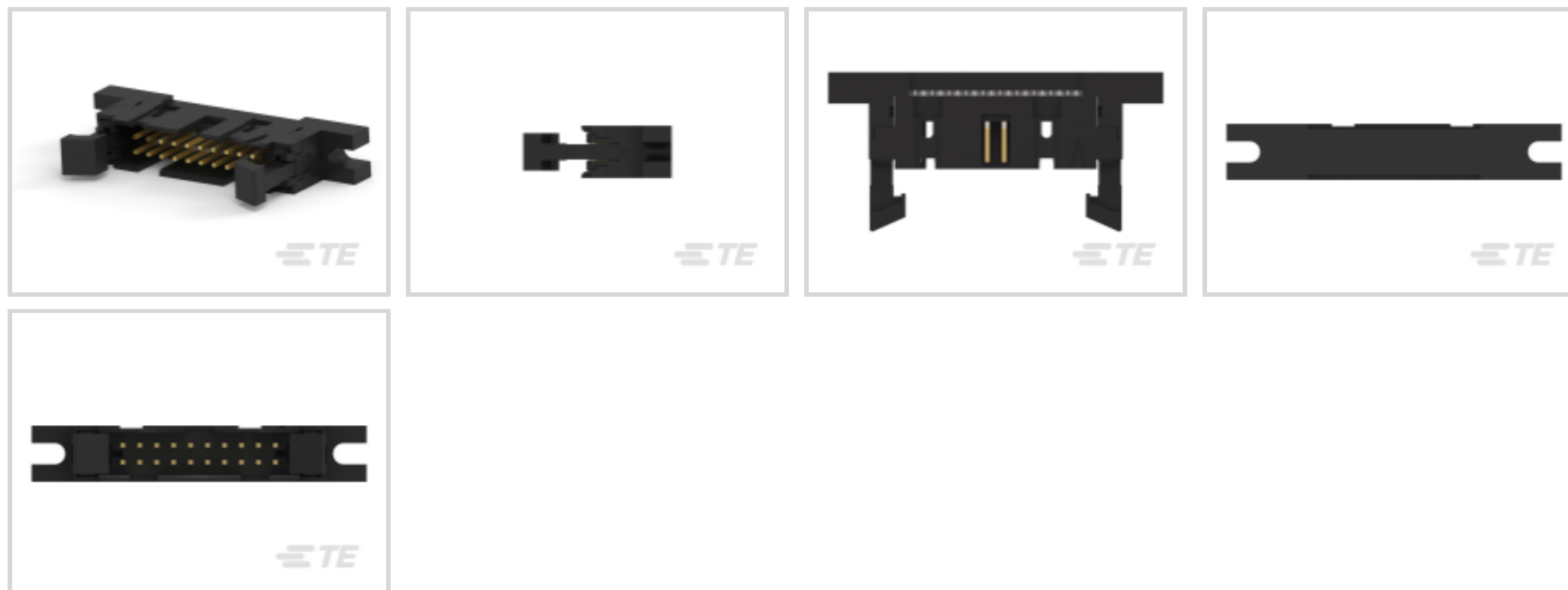
AMP-LATCH

TE Internal #: 1-111494-8

Ribbon Cable Connectors, Wire-to-Wire, 20 Position, 2.54 mm [.1 in] Centerline, 2 Row, Plug, Low Profile, Keyed Mating Alignment Type

[View on TE.com >](#)

Connectors > PCB Connectors > Wire-to-Board Connectors > FFC, FPC & Ribbon Connectors > Ribbon Cable Connectors



Connector System: **Wire-to-Wire**

Number of Positions: **20**

Centerline (Pitch): **2.54 mm [.1 in]**

PCB Mount Retention: **Without**

Row-to-Row Spacing: **2 mm [.1 in]**

Features

Product Type Features

Ribbon Cable Connector Header Type	Shrouded
Connector Product Type	Connector Assembly
Connector System	Wire-to-Wire
Connector & Housing Type	Plug
Connector & Contact Terminates To	Wire & Cable

Configuration Features

Number of Positions	20
Number of Rows	2

Electrical Characteristics

Insulation Resistance	5000 M Ω
Operating Voltage	250 VAC

Body Features

Daisy Chain	Without
Primary Product Color	Black



Connector Profile	Low
-------------------	-----

Contact Features

Contact Mating Area Length	6.1 mm[.24 in]
Mating Square Post Dimension	.64 mm[.025 in]
Contact Type	Pin
Wire Contact Termination Area Plating Thickness	2.54 μ m[100 μ in]
Wire Contact Termination Area Plating Material	Tin
Contact Mating Area Plating Material Thickness	.76 μ m[29.92 μ in][30 μ in]
PCB Contact Termination Area Plating Material Finish	Matte
Contact Shape & Form	Tuning Fork
PCB Contact Termination Area Plating Material	Tin
Contact Base Material	Phosphor Bronze
Contact Current Rating (Max)	1 A

Termination Features

Termination Post & Tail Length	3.3 mm[.13 in]
Termination Method to Wire & Cable	Insulation Displacement (IDC)

Mechanical Attachment

Mating Alignment	With
Panel Mount Feature	With
Panel Mount Feature Type	Mounting Ears
PCB Mount Retention	Without
Mating Alignment Type	Keyed
Mating Retention	With
Mating Retention Type	Ejection Latch
Connector Mounting Type	Panel Mount

Housing Features

Housing Material	Thermoplastic
Centerline (Pitch)	2.54 mm[.1 in]

Dimensions

Shrouded End Dimension	3.81 mm[.15 in]
Connector Length	50.19 mm[1.976 in]
Connector Height	23.75 mm[.935 in]



Connector Width	8.38 mm[.33 in]
Wire Size	.08 – .15 mm ²
Compatible Insulation Diameter Range	.81 – .97 mm[.032 – .038 in]
Row-to-Row Spacing	2 mm[.1 in]

Usage Conditions

Operating Temperature Range	-65 – 105 °C[-85 – 221 °F]
-----------------------------	----------------------------

Operation/Application

Circuit Application	Signal
---------------------	--------

Industry Standards

UL Rating	Recognized
Compatible With Agency/Standards Products	CSA, UL
Compatible With Approved Standards Products	CSA LR7189, UL E28476
UL Flammability Rating	UL 94V-0

Packaging Features

Packaging Quantity	50
Packaging Method	Box & Tray, Tray

Product Compliance

[For compliance documentation, visit the product page on TE.com>](#)

EU RoHS Directive 2011/65/EU	Compliant
EU ELV Directive 2000/53/EC	Compliant
China RoHS 2 Directive MIIT Order No 32, 2016	No Restricted Materials Above Threshold
EU REACH Regulation (EC) No. 1907/2006	Current ECHA Candidate List: JAN 2024 (240) Candidate List Declared Against: JAN 2024 (240) Does not contain REACH SVHC
Halogen Content	Not Low Halogen - contains Br or Cl > 900 ppm.
Solder Process Capability	Not applicable for solder process capability

Product Compliance Disclaimer

This information is provided based on reasonable inquiry of our suppliers and represents our current actual knowledge based on the information they provided. This information is subject to change. The part numbers that TE has identified as EU RoHS compliant have a maximum concentration of 0.1% by weight in homogenous materials for lead, hexavalent chromium, mercury, PBB, PBDE, DBP, BBP, DEHP, DIBP, and 0.01% for cadmium, or qualify for an exemption to these limits as defined in the Annexes of Directive 2011/65/EU (RoHS2). Finished electrical and electronic equipment products

will be CE marked as required by Directive 2011/65/EU. Components may not be CE marked. Additionally, the part numbers that TE has identified as EU ELV compliant have a maximum concentration of 0.1% by weight in homogenous materials for lead, hexavalent chromium, and mercury, and 0.01% for cadmium, or qualify for an exemption to these limits as defined in the Annexes of Directive 2000/53/EC (ELV). Regarding the REACH Regulation, the information TE provides on SVHC in articles for this part number is based on the latest European Chemicals Agency (ECHA) 'Guidance on requirements for substances in articles' posted at this URL: <https://echa.europa.eu/guidance-documents/guidance-on-reach>

Compatible Parts



TE Part # 1658620-4
20 NOVO MIL 15DP, LEAD FREE



TE Part # 1-1658526-2
609-2030LF FEM SOCKET, LEAD FREE



TE Part # 1658621-4
20 NOVO MIL/CTR 15DP, LEAD FREE



TE Part # 1658623-4
20 NOVO MIL 30DP, LEAD FREE



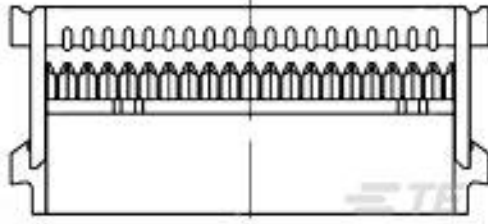
TE Part # 1658624-4
20 NOVO DUAL 30DP, LEAD FREE



TE Part # 2-1658527-3
622-2030LF=FSKT IDC S 20 30AU



TE Part # 1-1658528-5
636-2030LF=FEM SKT BLADE POL 1



TE Part # 3-1658526-0
609-2000MLF=FSKT IDC S 20 30AU

Customers Also Bought



TE Part #5-520315-5
TRIOMATE ASSY V 5P L=3.556LDFR



TE Part #6-1676481-4
CPF 0603 2K7 0.1% 25PPM 1K RL



TE Part #1676243-2
RN 0805 1K82 0.1% 10PPM 1KRL



TE Part #1SNK705022R0000
ZK2.5-4P-BL



TE Part #1SNK705032R0000
ZK2.5-4P-OR



TE Part #1SNK705074R0000
ZK2.5-4P-YL



TE Part #1SNK705075R0000
ZK2.5-4P-GN



TE Part #1SNK705076R0000
ZK2.5-4P-RD



Documents

Product Drawings

[020 UNIV I/O 30DP SLOT LTCH](#)

English

CAD Files

[3D PDF](#)

3D

Customer View Model

[ENG_CVM_CVM_1-111494-8_K.2d_dxf.zip](#)

English

Customer View Model

[ENG_CVM_CVM_1-111494-8_K.3d_igs.zip](#)

English

Customer View Model

[ENG_CVM_CVM_1-111494-8_K.3d_stp.zip](#)

English

By downloading the CAD file I accept and agree to the [Terms and Conditions](#) of use.

Datasheets & Catalog Pages

[Ribbon Cable Interconnect Solutions](#)

English

Product Specifications

[Application Specification](#)

English

Instruction Sheets

[Removal Tool for Universal Header Latches](#)

English

[Instruction Sheet \(U.S.\)](#)

English

Agency Approvals

[Agency Approval Document](#)

English