



RAYCHEM

TE Internal #: 650085-000

Splices, 16 – 12 AWG Wire Size, 1.21 – 2.94 mm<sup>2</sup> Wire Size,  
 Sealable, Splice Kit, .1 in [2.54 mm] Barrel Inside Diameter, 2426 –  
 5874 CMA Wire Size

[View on TE.com >](#)

Terminals & Splices > Splices



Wire Size: 1.21 – 2.94 mm<sup>2</sup>

Sealable: **Yes**

Splice Features: **Splice Kit**

Barrel Inside Diameter: 2.54 mm [.1 in]

**Features**

**Product Type Features**

Splice Accessory Type	Splice
Sealable	Yes
Wire Insulation Support Retention Type	Non-Insulation Support

**Configuration Features**

Number of Serrations	0
Compatible With Wire & Cable Type	Discrete Wire

**Body Features**

Insulation Material	Modified Polyvinylidene
Splice Features	Splice Kit

**Contact Features**

Contact Base Material	Copper Alloy
Barrel Type	Closed

**Dimensions**

Wire Size	2426 – 5874 CMA
Barrel Inside Diameter	2.54 mm[.1 in]
Product Length	24.76 mm[.975 in]

**Usage Conditions**

Insulation Option	Fully Insulated
-------------------	-----------------



Operating Temperature Range -55 – 150 °C[-67 – 302 °F]

### Industry Standards

Government Qualified Splice No

### Packaging Features

Packaging Method Bag/Box

### Product Compliance

[For compliance documentation, visit the product page on TE.com>](#)

EU RoHS Directive 2011/65/EU Compliant

EU ELV Directive 2000/53/EC Compliant

China RoHS 2 Directive MIIT Order No 32, 2016 No Restricted Materials Above Threshold

EU REACH Regulation (EC) No. 1907/2006  
 Current ECHA Candidate List: JAN 2024 (240)  
 Candidate List Declared Against: JAN 2024 (240)  
 Does not contain REACH SVHC

Halogen Content Low Bromine/Chlorine - Br and Cl < 900 ppm per homogenous material. Also BFR /CFR/PVC Free

Solder Process Capability Not applicable for solder process capability

#### Product Compliance Disclaimer

This information is provided based on reasonable inquiry of our suppliers and represents our current actual knowledge based on the information they provided. This information is subject to change. The part numbers that TE has identified as EU RoHS compliant have a maximum concentration of 0.1% by weight in homogenous materials for lead, hexavalent chromium, mercury, PBB, PBDE, DBP, BBP, DEHP, DIBP, and 0.01% for cadmium, or qualify for an exemption to these limits as defined in the Annexes of Directive 2011/65/EU (RoHS2). Finished electrical and electronic equipment products will be CE marked as required by Directive 2011/65/EU. Components may not be CE marked. Additionally, the part numbers that TE has identified as EU ELV compliant have a maximum concentration of 0.1% by weight in homogenous materials for lead, hexavalent chromium, and mercury, and 0.01% for cadmium, or qualify for an exemption to these limits as defined in the Annexes of Directive 2000/53/EC (ELV). Regarding the REACH Regulation, the information TE provides on SVHC in articles for this part number is based on the latest European Chemicals Agency (ECHA) 'Guidance on requirements for substances in articles' posted at this URL: <https://echa.europa.eu/guidance-documents/guidance-on-reach>

### Compatible Parts



TE Part # EG8162-000  
HL1920E-230V-EURO



TE Part # 992008-000  
AD-1377-CRIMP-TOOL-3-CVTV

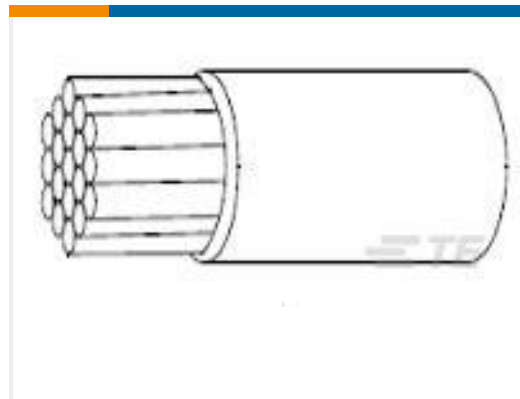
## Customers Also Bought



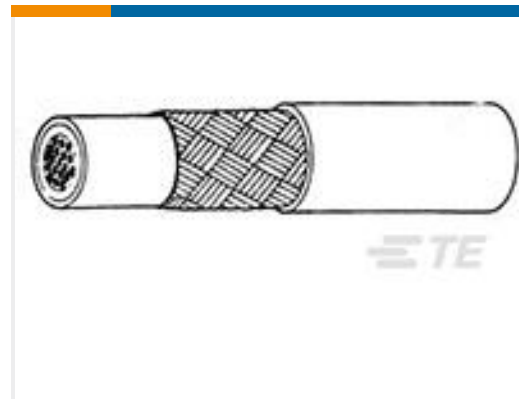
TE Part #470474-000  
55PC0211-22-5L



TE Part #YDTS24Z25-19SNV001  
RECP ASSY



TE Part #552231-000  
55A0111-10-0



TE Part #3310063004  
55A1111-24-9-9



TE Part #014495-000  
55A1114-24-9-9CS2275



TE Part #8315576001  
TMS-CCUV-SLEEVE-6-X-65MM



TE Part #8545196001  
TMS-CCUV-SLEEVE-7-X-65MM



TE Part #9410970001  
TMS-SCE-1/4-2.0-S3-9



TE Part #Y72294-15-19PAV003  
HERM RECP



TE Part #ER6701-000  
S01-03-RCS9376

## Documents

### Product Drawings

[D-436-61](#)

English

### Datasheets & Catalog Pages

[1654025\\_Sec8\\_D-436](#)

English

### Harness Repair Products Quick Reference Guide

English

650085-000

Splices, 16 – 12 AWG Wire Size, 1.21 – 2.94 mm<sup>2</sup> Wire Size, Sealable, Splice Kit, .1 in [2.54 mm] Barrel Inside Diameter, 2426 – 5874 CMA Wire Size

