



Connectors > Connector Accessories > Connector Caps & Covers



Connector Cover Type: **Strain Relief Cover**

Primary Product Color: **Black**

Primary Product Material: **Nylon**

Number of Positions: **6**

Operating Temperature (Max): **85 °C [185 °F]**

Features

Product Type Features

Sealable	No
Connector Cover Type	Strain Relief Cover

Configuration Features

Number of Positions	6
---------------------	---

Body Features

Primary Product Color	Black
Primary Product Material	Nylon

Mechanical Attachment

Strain Relief	With
---------------	------

Usage Conditions

Operating Temperature (Max)	85 °C[185 °F]
Operating Temperature Range	-55 – 85 °C[-67 – 185 °F]

Packaging Features

Packaging Quantity	100
--------------------	-----

Packaging Method

Bag

Product Compliance

[For compliance documentation, visit the product page on TE.com>](#)

EU RoHS Directive 2011/65/EU	Compliant
EU ELV Directive 2000/53/EC	Compliant
China RoHS 2 Directive MIIT Order No 32, 2016	No Restricted Materials Above Threshold
EU REACH Regulation (EC) No. 1907/2006	Current ECHA Candidate List: JAN 2024 (240) Candidate List Declared Against: JAN 2024 (240) Does not contain REACH SVHC
Halogen Content	Not Low Halogen - contains Br or Cl > 900 ppm.
Solder Process Capability	Not applicable for solder process capability

Product Compliance Disclaimer

This information is provided based on reasonable inquiry of our suppliers and represents our current actual knowledge based on the information they provided. This information is subject to change. The part numbers that TE has identified as EU RoHS compliant have a maximum concentration of 0.1% by weight in homogenous materials for lead, hexavalent chromium, mercury, PBB, PBDE, DBP, BBP, DEHP, DIBP, and 0.01% for cadmium, or qualify for an exemption to these limits as defined in the Annexes of Directive 2011/65/EU (RoHS2). Finished electrical and electronic equipment products will be CE marked as required by Directive 2011/65/EU. Components may not be CE marked. Additionally, the part numbers that TE has identified as EU ELV compliant have a maximum concentration of 0.1% by weight in homogenous materials for lead, hexavalent chromium, and mercury, and 0.01% for cadmium, or qualify for an exemption to these limits as defined in the Annexes of Directive 2000/53/EC (ELV). Regarding the REACH Regulation, the information TE provides on SVHC in articles for this part number is based on the latest European Chemicals Agency (ECHA) 'Guidance on requirements for substances in articles' posted at this URL: <https://echa.europa.eu/guidance-documents/guidance-on-reach>

Compatible Parts

 <p>TE Part # 2-350375-0 MR SPLT GROMET .296 DIA BLK LF</p>	 <p>TE Part # 350374-1 12P STR/REL HSG HNGD V0</p>	 <p>TE Part # 2-350376-0 MR SPLT GROMET .218 DIA BLK LF</p>	 <p>TE Part # 2-350377-0 MR SPLT GROMET .156 DIA BLK LF</p>
--	---	--	--

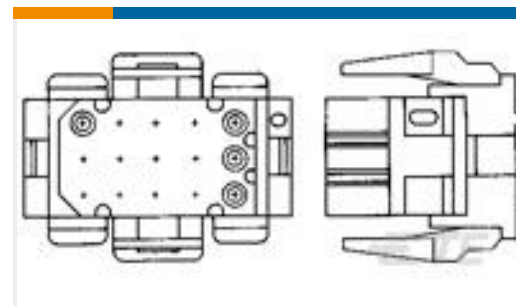
Customers Also Bought



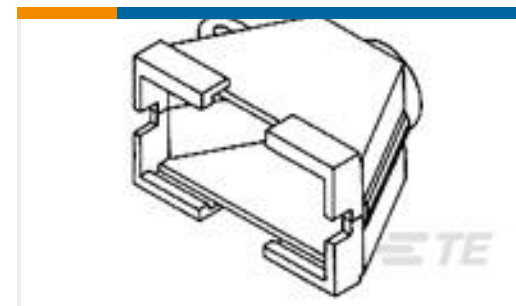
TE Part #1658657-1
KIT,HDP-20,ENCLSUR,PLUG,SIZE 2



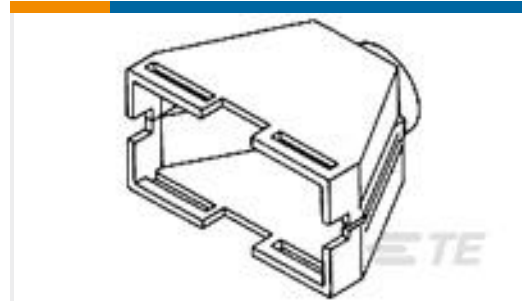
TE Part #1658687-1
HDP-22,OVRMLD,RCPT KIT,SIZE 2,



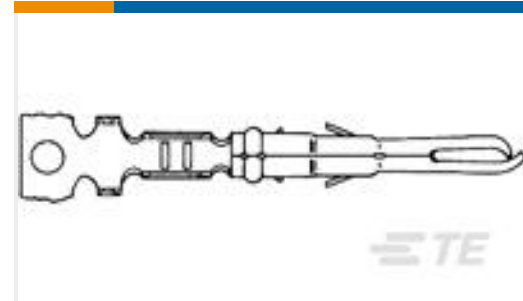
TE Part #1-640520-0
06P MR II PLUG HSG



TE Part #1-350522-9
09P MR STR/REL HNG BLK



TE Part #350524-1
24P STR/REL HSG HNGD V0



TE Part #640545-2
MR SPLIT PIN 26-18 AUPHBRZ LP



TE Part #2-350375-0
MR SPLT GROMET .296 DIA BLK LF



TE Part #66102-1
III+ PIN,24-20,30AU>10,STRIP



TE Part #2-1393561-9
V42254A 262V 19=SUB D SCHRAUBE



TE Part #58707-1
PROCRIMP MINI-U-MNL2 TL & DIE

Documents

Product Drawings

[06P STR/REL HSG HNGD](#)

English

CAD Files

Customer View Model

[ENG_CVM_350373-1_K.3d_igs.zip](#)

English

Customer View Model

[ENG_CVM_350373-1_K.3d_stp.zip](#)

English

Customer View Model

[ENG_CVM_350373-1_K.2d_dxf.zip](#)

English

[3D PDF](#)

English

[3D PDF](#)

3D



Customer View Model

[ENG_CVM_CVM_350373-1_AE.2d_dxf.zip](#)

English

Customer View Model

[ENG_CVM_CVM_350373-1_AE.3d_igs.zip](#)

English

Customer View Model

[ENG_CVM_CVM_350373-1_AE.3d_stp.zip](#)

English

By downloading the CAD file I accept and agree to the [Terms and Conditions](#) of use.

Datasheets & Catalog Pages

[SOFT_SHELL_PIN_AND_SOCKET_CONNECTORS_CATALOG](#)

English

Product Specifications

[Application Specification](#)

English

Instruction Sheets

[Instruction Sheet \(U.S.\)](#)

English

[AMP* MINIATURE RECTANGULAR II \(MRII\) CONNECTORS](#)

English