



SL-156

TE Internal #: 641550-1

Socket Contact, Tin, 250 VAC, Locking Lance Contact Retention, Discrete Wire, 30 – 24 AWG Wire Size, .05 – .2 mm² Wire Size, Crimp, Brass, SL-156

[View on TE.com >](#)

Connectors > Contacts > Connector Contacts > Connector Contacts: Wire-to-Board Socket, SL 156



Contact Type: **Socket**

Contact Mating Area Plating Material: **Tin**

Wire Contact Termination Area Plating Material: **Tin**

Operating Voltage: **250 VAC**

Contact Retention Within Housing: **With**

[All Connector Contacts: Wire-to-Board Socket, SL 156 \(23\)](#)

Features

Product Type Features

Applied Pressure	Low
------------------	-----

Configuration Features

Compatible With Wire & Cable Type	Discrete Wire
-----------------------------------	---------------

Electrical Characteristics

Operating Voltage	250 VAC
-------------------	---------

Contact Features

Mating Square Post Dimension	1.14 mm[.045 in]
Contact Type	Socket
Contact Mating Area Plating Material	Tin
Wire Contact Termination Area Plating Material	Tin
Contact Retention Within Housing	With
Contact Base Material	Brass



Contact Current Rating (Max)	6.5 A
------------------------------	-------

Termination Features

Termination Method to Wire & Cable	Crimp
Product Terminates To	Wire & Cable

Mechanical Attachment

Contact Retention Type Within Housing	Locking Lance
---------------------------------------	---------------

Dimensions

Compatible Insulation Diameter Range	1.02 – 1.45 mm [.04 – .057 in]
Wire Size	.05 – .2 mm ²

Usage Conditions

Operating Temperature Range	-55 – 105 °C [-67 – 221 °F]
-----------------------------	-----------------------------

Operation/Application

Circuit Application	Signal
---------------------	--------

Packaging Features

Packaging Quantity	7000
Packaging Method	Reel

Product Compliance

[For compliance documentation, visit the product page on TE.com>](#)

EU RoHS Directive 2011/65/EU	Compliant
EU ELV Directive 2000/53/EC	Compliant
China RoHS 2 Directive MIIT Order No 32, 2016	No Restricted Materials Above Threshold
EU REACH Regulation (EC) No. 1907/2006	Current ECHA Candidate List: JAN 2024 (240) Candidate List Declared Against: JAN 2024 (240) Does not contain REACH SVHC
Halogen Content	Low Halogen - Br, Cl, F, I < 900 ppm per homogenous material. Also BFR/CFR/PVC Free
Solder Process Capability	Not applicable for solder process capability

Product Compliance Disclaimer

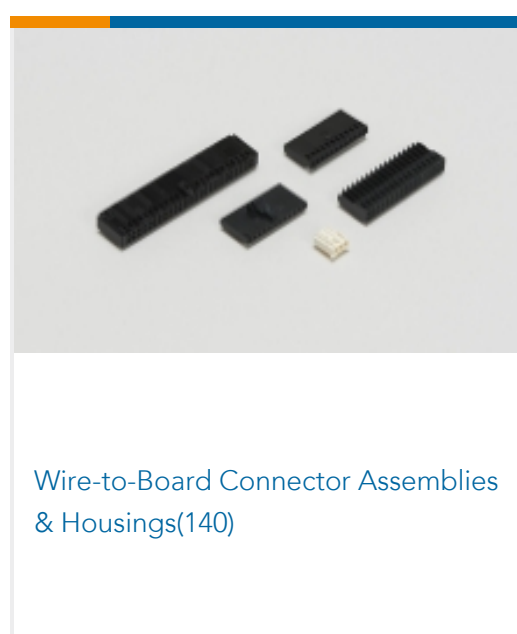
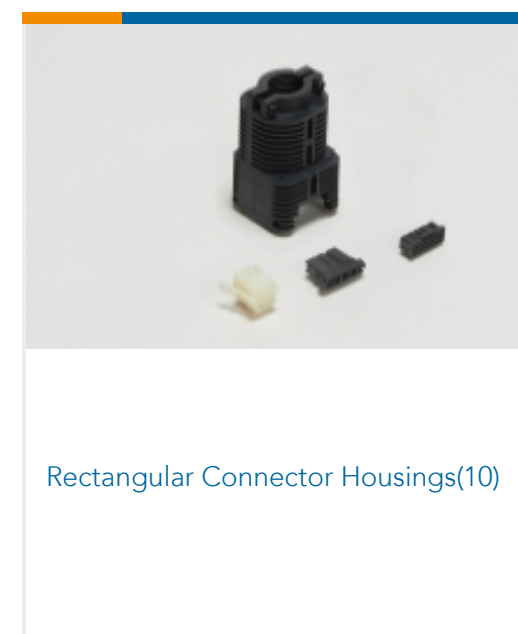
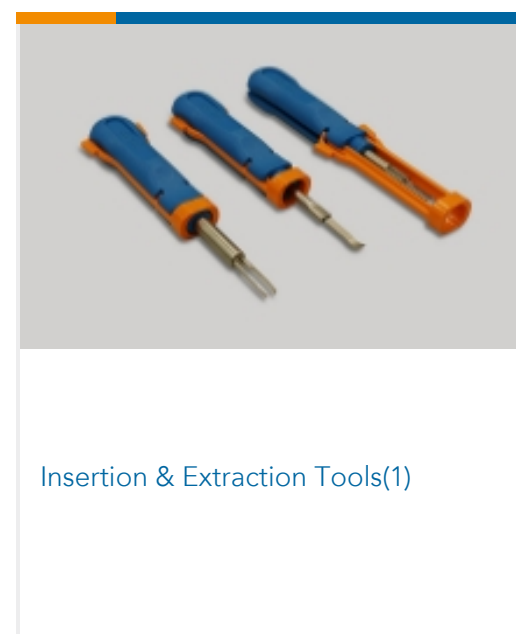
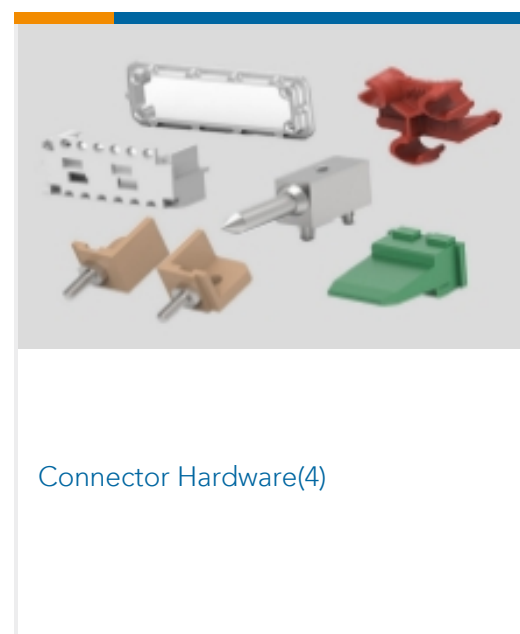
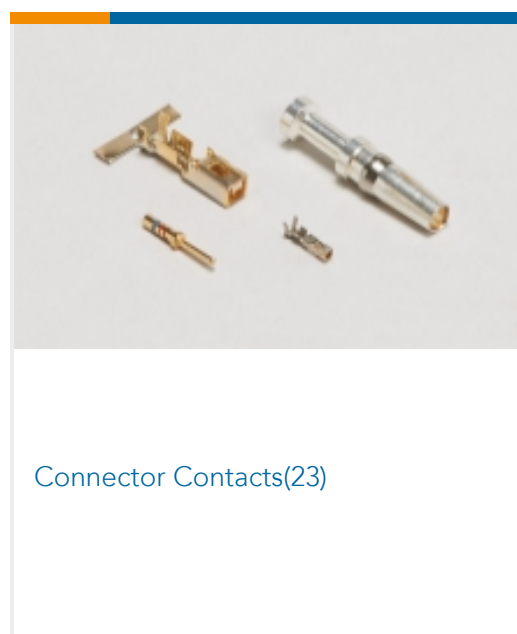
This information is provided based on reasonable inquiry of our suppliers and represents our current actual knowledge based on the information they provided. This information is subject to change. The part numbers that TE has identified as EU RoHS compliant have a maximum concentration of 0.1% by weight in homogenous materials for lead, hexavalent

chromium, mercury, PBB, PBDE, DBP, BBP, DEHP, DIBP, and 0.01% for cadmium, or qualify for an exemption to these limits as defined in the Annexes of Directive 2011/65/EU (RoHS2). Finished electrical and electronic equipment products will be CE marked as required by Directive 2011/65/EU. Components may not be CE marked. Additionally, the part numbers that TE has identified as EU ELV compliant have a maximum concentration of 0.1% by weight in homogenous materials for lead, hexavalent chromium, and mercury, and 0.01% for cadmium, or qualify for an exemption to these limits as defined in the Annexes of Directive 2000/53/EC (ELV). Regarding the REACH Regulation, the information TE provides on SVHC in articles for this part number is based on the latest European Chemicals Agency (ECHA) 'Guidance on requirements for substances in articles' posted at this URL: <https://echa.europa.eu/guidance-documents/guidance-on-reach>

Compatible Parts



Also in the Series | SL-156



Customers Also Bought



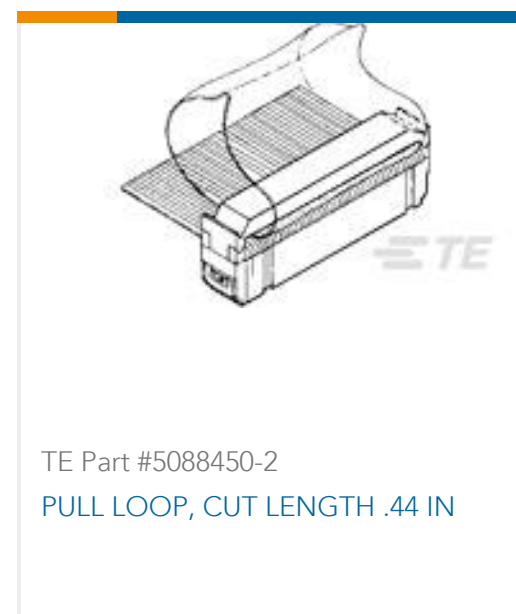
TE Part #770849-2
02P SL156 HSG W/LCK RMP & TABS



TE Part #640251-8
08P SL156 HSG W/O LCK RAMP



TE Part #6609048-7
6EQ8 M0=F7264



TE Part #5088450-2
PULL LOOP, CUT LENGTH .44 IN



TE Part #60888-2
058 PIN REC 26-22 .010GPPHBZ



TE Part #2-320569-3
TERM, RT, PIDG, 12-10, 1/4, T&R



TE Part #1-480700-1
03P UMNL PLUG HSG BRN



TE Part #644753-5
05P MTA156 HDR ASSY RN STR F/L

Documents

Product Drawings

SL156 RECPT PTPBR

English

CAD Files

3D PDF

3D

Customer View Model

[ENG_CVM_CVM_641550-1_H.2d_dxf.zip](#)

English

Customer View Model

[ENG_CVM_CVM_641550-1_H.3d_igs.zip](#)

English

Customer View Model

[ENG_CVM_CVM_641550-1_H.3d_stp.zip](#)

English

Customer View Model

[ENG_CVM_641550-1_F.3d_igs.zip](#)

English

Customer View Model

[ENG_CVM_641550-1_F.3d_stp.zip](#)

English

Customer View Model

[ENG_CVM_641550-1_F.2d_dxf.zip](#)

English

3D PDF

English



By downloading the CAD file I accept and agree to the [Terms and Conditions](#) of use.

[Product Specifications](#)

[Application Specification](#)

English