

925661-2 ✓ ACTIVE

MATE-N-LOK | 0.140 MATE-N-LOK

TE Internal #: 925661-2

Socket Contact, Tin, 250 VAC, Locking Lance Contact Retention, 20

– 14 AWG Wire Size, .5 – 2 mm² Wire Size, Crimp, Phosphor

Bronze, 0.140 MATE-N-LOK

[View on TE.com >](#)



Connectors > Contacts > Connector Contacts



Contact Type: **Socket**

Contact Mating Area Plating Material: **Tin**

Wire Contact Termination Area Plating Material: **Pre-Tin**

Operating Voltage: **250 VAC**

Contact Retention Within Housing: **With**

Features

Electrical Characteristics

Operating Voltage	250 VAC
-------------------	---------

Contact Features

Mating Pin Diameter	3.56 mm[.14 in]
Wire Contact Termination Area Plating Thickness	.4 – 3.5 μm[15.74 – 137.79 μin]
Wire Contact Termination Area Plating Material Finish	Bright
Contact Orientation	Straight
Contact Type	Socket
Contact Mating Area Plating Material	Tin
Wire Contact Termination Area Plating Material	Pre-Tin
Contact Retention Within Housing	With
Contact Base Material	Phosphor Bronze
Contact Current Rating (Max)	17 A

Termination Features

Termination Method to Wire & Cable	Crimp
------------------------------------	-------



Product Terminates To

Wire & Cable

Mechanical Attachment

Wire Insulation Support

Without

Contact Retention Type Within Housing

Locking Lance

Dimensions

Compatible Insulation Diameter Range

2.5 – 4.5 mm [.098 – .177 in]

Wire Size

.5 – 2 mm²

Usage Conditions

Operating Temperature Range

-55 – 105 °C [-67 – 221 °F]

Operation/Application

Circuit Application

Power

Packaging Features

Packaging Quantity

900

Packaging Method

Carton

Product Compliance

For compliance documentation, visit the product page on TE.com>

EU RoHS Directive 2011/65/EU

Compliant

EU ELV Directive 2000/53/EC

Compliant

China RoHS 2 Directive MIIT Order No 32, 2016

No Restricted Materials Above Threshold

EU REACH Regulation (EC) No. 1907/2006

Current ECHA Candidate List: JAN 2024 (240)
 Candidate List Declared Against: JAN 2024 (240)
 Does not contain REACH SVHC

Halogen Content

Low Halogen - Br, Cl, F, I < 900 ppm per homogenous material. Also BFR/CFR/PVC Free

Solder Process Capability

Not applicable for solder process capability

Product Compliance Disclaimer

This information is provided based on reasonable inquiry of our suppliers and represents our current actual knowledge based on the information they provided. This information is subject to change. The part numbers that TE has identified as EU RoHS compliant have a maximum concentration of 0.1% by weight in homogenous materials for lead, hexavalent chromium, mercury, PBB, PBDE, DBP, BBP, DEHP, DIBP, and 0.01% for cadmium, or qualify for an exemption to these limits as defined in the Annexes of Directive 2011/65/EU (RoHS2). Finished electrical and electronic equipment products will be CE marked as required by Directive 2011/65/EU. Components may not be CE marked. Additionally, the part numbers that TE has identified as EU ELV compliant have a maximum concentration of 0.1% by weight in homogenous

materials for lead, hexavalent chromium, and mercury, and 0.01% for cadmium, or qualify for an exemption to these limits as defined in the Annexes of Directive 2000/53/EC (ELV). Regarding the REACH Regulation, the information TE provides on SVHC in articles for this part number is based on the latest European Chemicals Agency (ECHA) 'Guidance on requirements for substances in articles' posted at this URL: <https://echa.europa.eu/guidance-documents/guidance-on-reach>

Compatible Parts

TE Part # 539764-1
EXTRACTION TOOL

TE Part # 1-480585-0
09P .140 MNL PLUG NAT

TE Part # 1-350346-0
03P .140 MNL PLUG P/M NAT

TE Part # 1-480672-0
09P .140 MNL PLUG PM NAT

TE Part # 1-480510-0
04P .140 MNL PLUG NAT

TE Part # 1-350344-0
02P .140 MNL PLUG NAT

TE Part # 925451-1
M-N-L SOCKET HSG

TE Part # 1901963-1
CCII 140 PIN SOCKET CONN 20-14 ASSY

TE Part # 539730-2
DIE 3,5 MNL

TE Part # 1-480672-9
09P .140 MNL PLUG PM BLK

TE Part # 1752938-1
PEW 12 TOOL(3-5MM MATE-N-LOK)

TE Part # 1752938-2
SDE DIE SET 3.5 MM MNL

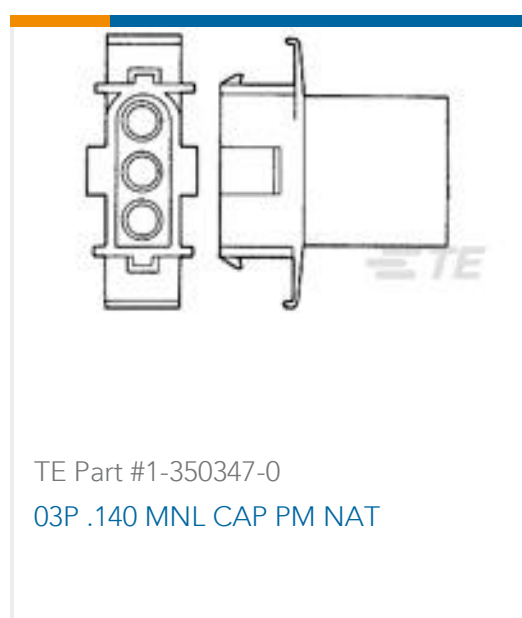
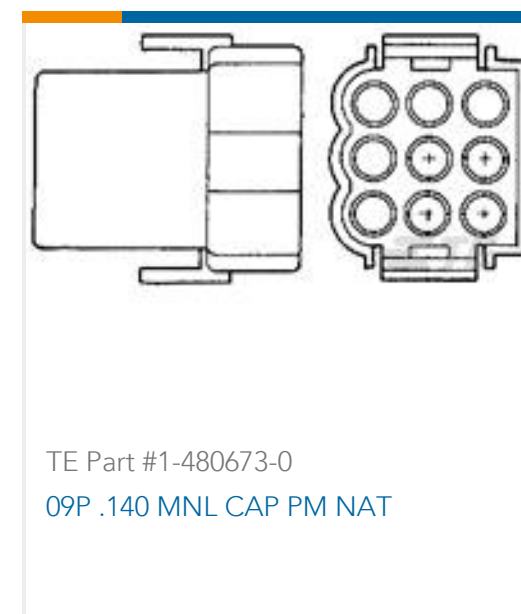
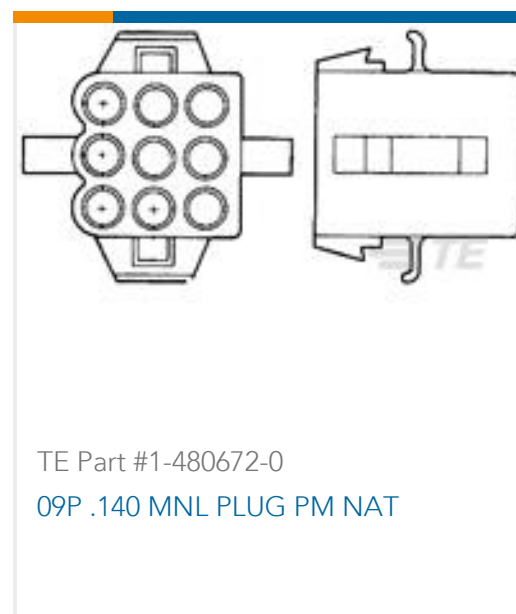
Also in the Series | 0.140 MATE-N-LOK

Connector Contacts(13)

Insertion & Extraction Tools(1)

Rectangular Power Connectors(1)

Customers Also Bought



Documents

Product Drawings

[.140 DIA SOCKET](#)

English

CAD Files

[3D PDF](#)

3D

Customer View Model

[ENG_CVM_CVM_925661-2_Y_c-925661-2-y.2d_dxf.zip](#)

English

Customer View Model

[ENG_CVM_CVM_925661-2_Y_c-925661-2-y.3d_igs.zip](#)

English

Customer View Model

[ENG_CVM_CVM_925661-2_Y_c-925661-2-y.3d_stp.zip](#)

English

By downloading the CAD file I accept and agree to the [Terms and Conditions](#) of use.

Product Specifications

925661-2

Socket Contact, Tin, 250 VAC, Locking Lance Contact Retention, 20 – 14 AWG Wire Size, .5 – 2 mm² Wire Size, Crimp, Phosphor Bronze, 0.140 MATE-N-LOK



Product Specification

English