



Economy Power

TE Internal #: 4-1123722-5

Housing, Plug, Wire-to-Board, 5 Position, .155 in [3.95 mm]
Centerline, Crimp, 1 Row, Red, Mating Retention, Wire & Cable,
Economy Power

[View on TE.com >](#)

Connectors > PCB Connectors > Wire-to-Board Connectors > Wire-to-Board Connector Assemblies & Housings



Connector Product Type: **Housing**
Connector & Housing Type: **Plug**
Connector System: **Wire-to-Board**
Number of Positions: **5**
Centerline (Pitch): **3.95 mm [.155 in]**

Features

Product Type Features

Connector Product Type	Housing
Connector & Housing Type	Plug
Connector System	Wire-to-Board
Sealable	No
Connector & Contact Terminates To	Wire & Cable

Configuration Features

Number of Positions	5
Number of Rows	1

Body Features

Primary Product Color	Red
-----------------------	-----

Termination Features

Termination Method to Wire & Cable	Crimp
------------------------------------	-------

Mechanical Attachment

--	--



Mating Retention	With
------------------	------

Connector Mounting Type	Cable Mount (Free-Hanging)
-------------------------	----------------------------

Housing Features

Centerline (Pitch)	3.95 mm [.155 in]
--------------------	-------------------

Usage Conditions

Operating Temperature Range	-30 – 105 °C [-22 – 221 °F]
-----------------------------	-----------------------------

Industry Standards

UL Flammability Rating	UL 94V-0
------------------------	----------

Packaging Features

Packaging Method	Bag
------------------	-----

Product Compliance

[For compliance documentation, visit the product page on TE.com>](#)

EU RoHS Directive 2011/65/EU	Compliant
------------------------------	-----------

EU ELV Directive 2000/53/EC	Compliant
-----------------------------	-----------

China RoHS 2 Directive MIIT Order No 32, 2016	No Restricted Materials Above Threshold
---	---

EU REACH Regulation (EC) No. 1907/2006	Current ECHA Candidate List: JAN 2024 (240) Candidate List Declared Against: JAN 2024 (240) Does not contain REACH SVHC
--	---

Halogen Content	Low Halogen - Br, Cl, F, I < 900 ppm per homogenous material. Also BFR/CFR/PVC Free
-----------------	---

Solder Process Capability	Not applicable for solder process capability
---------------------------	--

Product Compliance Disclaimer

This information is provided based on reasonable inquiry of our suppliers and represents our current actual knowledge based on the information they provided. This information is subject to change. The part numbers that TE has identified as EU RoHS compliant have a maximum concentration of 0.1% by weight in homogenous materials for lead, hexavalent chromium, mercury, PBB, PBDE, DBP, BBP, DEHP, DIBP, and 0.01% for cadmium, or qualify for an exemption to these limits as defined in the Annexes of Directive 2011/65/EU (RoHS2). Finished electrical and electronic equipment products will be CE marked as required by Directive 2011/65/EU. Components may not be CE marked. Additionally, the part numbers that TE has identified as EU ELV compliant have a maximum concentration of 0.1% by weight in homogenous materials for lead, hexavalent chromium, and mercury, and 0.01% for cadmium, or qualify for an exemption to these limits as defined in the Annexes of Directive 2000/53/EC (ELV). Regarding the REACH Regulation, the information TE provides on SVHC in articles for this part number is based on the latest European Chemicals Agency (ECHA) 'Guidance on requirements for substances in articles' posted at this URL: <https://echa.europa.eu/guidance-documents/guidance-on-reach>

Compatible Parts



Also in the Series | Economy Power



Connector Contacts(15)



Connector Hardware(2)



Insertion & Extraction Tools(1)



PCB Headers & Receptacles(400)



Rectangular Connector Housings(1)



Rectangular Power Connectors(64)



Wire-to-Board Connector Assemblies & Housings(142)

Customers Also Bought



TE Part #5-1971773-3
PTL 1X3 PLUG HSG HIGH TEMP KEY A LGR



TE Part #1971783-2
PTL RECEPTACLE CONTACT, 16-19 AWG, 2X22



TE Part #176282-1
AMP UNIVERSAL POWER CAP 2P



TE Part #1742975-1
110 PL REC. 22-18AWG TPBR



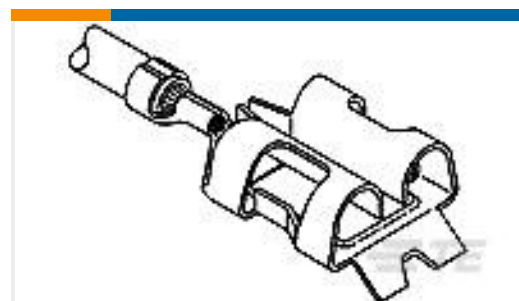
TE Part #63482-1
RING 18-14 AWG TPSTL



TE Part #175150-2
AMP UNIVE. POWER CONN TAB CONT



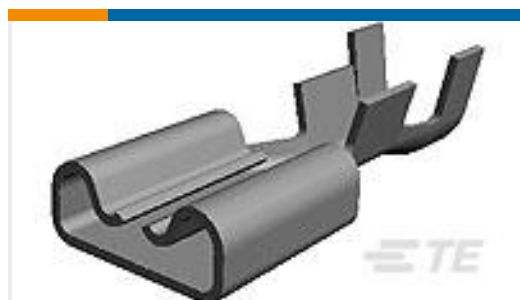
TE Part #42722-1
RING TONGUE 12-10 AWG BR



TE Part #640748-7
HEAVY DUTY BURNER REC 18-14 AWG PHBRZ



TE Part #1742883-1
187 FASTON, REC., 20-16 AWG, NPST



TE Part #1742198-1
250 FASTON, REC., 18-14 AWG, NPST

Documents



Product Drawings

3.96 EP PLUG HSG 5P(RED)

English

CAD Files

3D PDF

3D

Customer View Model

[ENG_CVM_CVM_4-1123722-5_P.2d_dxf.zip](#)

English

Customer View Model

[ENG_CVM_CVM_4-1123722-5_P.3d_igs.zip](#)

English

Customer View Model

[ENG_CVM_CVM_4-1123722-5_P.3d_stp.zip](#)

English

By downloading the CAD file I accept and agree to the [Terms and Conditions](#) of use.

Datasheets & Catalog Pages

1-1773885-9 Economy Power Connectors

English

Product Specifications

Application Specification

English

Instruction Sheets

Instruction Sheet (non U.S.)

Japanese

Economy Power (EP) Connector

Japanese