

1534188-1 ✓ ACTIVE

AMP MCP 2.8, AMP MCP Connector System

TE Internal #: 1534188-1

PCB Mount Header, Vertical, Wire-to-Panel / Wire-to-Board, 21  
Position, 5 mm [.197 in] Centerline, Fully Shrouded, Tin, Through  
Hole - Solder, Hybrid

[View on TE.com >](#)



Connectors > PCB Connectors > PCB Headers & Receptacles > Low & Medium Power Header



Connector System: **Wire-to-Board, Wire-to-Panel**

Number of Positions: **21**

Centerline (Pitch): **5 mm [.197 in]**

Sealable: **No**

PCB Mount Orientation: **Vertical**

[All Low & Medium Power Header \(103\)](#)

## Features

### Product Type Features

Mixed & Hybrid Header	No
Connector Shape	Rectangular
PCB Connector Assembly Type	PCB Mount Header
Header Type	Fully Shrouded
Connector System	Wire-to-Board, Wire-to-Panel
Sealable	No
Connector & Contact Terminates To	Printed Circuit Board

### Configuration Features

Number of Positions	21
PCB Mount Orientation	Vertical
Number of Rows	3

### Electrical Characteristics



Nominal Voltage Architecture	12 V, 24 V
------------------------------	------------

Operating Voltage	35 VDC
-------------------	--------

### Body Features

Primary Product Color	Brown
-----------------------	-------

### Contact Features

Contact Size	2.8mm
--------------	-------

Contact Type	Tab
--------------	-----

Mating Tab Width	2.8 mm[.11 in]
------------------	----------------

Mating Tab Thickness	.8 mm[.031 in]
----------------------	----------------

Contact Mating Area Plating Material	Tin
--------------------------------------	-----

### Termination Features

Termination Method to Printed Circuit Board	Through Hole - Solder
---	-----------------------

### Mechanical Attachment

Mounting Holes	Without
----------------	---------

Mating Alignment	With
------------------	------

PCB Mount Alignment	Without
---------------------	---------

Panel Mount Feature	With
---------------------	------

PCB Mount Retention	With
---------------------	------

PCB Mount Retention Type	Mounting Hole
--------------------------	---------------

Connector Mounting Type	Panel Mount
-------------------------	-------------

### Housing Features

Centerline (Pitch)	5 mm[.197 in]
--------------------	---------------

### Dimensions

Connector Width	33.7 mm[1.314 in]
-----------------	-------------------

Profile Height from PCB	22 mm[.866 in]
-------------------------	----------------

### Usage Conditions

Operating Temperature (Max)	65 °C, 70 °C, 75 °C, 80 °C, 85 °C, 90 °C, 100 °C, 105 °C, 110 °C, 120 °C[149 °F][158 °F][167 °F][176 °F][185 °F][194 °F][212 °F][221 °F][230 °F][248 °F]
-----------------------------	--

Operating Temperature Range	-40 – 120 °C[-40 – 248 °F]
-----------------------------	----------------------------

### Operation/Application

Shielded	No
----------	----



Circuit Application

Signal

**Packaging Features**

Packaging Quantity

330

Packaging Method

Loose Piece

**Product Compliance**

[For compliance documentation, visit the product page on TE.com>](#)

EU RoHS Directive 2011/65/EU

Compliant

EU ELV Directive 2000/53/EC

Compliant

China RoHS 2 Directive MIIT Order No 32, 2016

No Restricted Materials Above Threshold

EU REACH Regulation (EC) No. 1907/2006

Current ECHA Candidate List: JAN 2024 (240)  
 Candidate List Declared Against: JAN 2024 (240)  
 Does not contain REACH SVHC

Halogen Content

Low Halogen - Br, Cl, F, I < 900 ppm per homogenous material. Also BFR/CFR/PVC Free

Solder Process Capability

Not applicable for solder process capability

Product Compliance Disclaimer

This information is provided based on reasonable inquiry of our suppliers and represents our current actual knowledge based on the information they provided. This information is subject to change. The part numbers that TE has identified as EU RoHS compliant have a maximum concentration of 0.1% by weight in homogenous materials for lead, hexavalent chromium, mercury, PBB, PBDE, DBP, BBP, DEHP, DIBP, and 0.01% for cadmium, or qualify for an exemption to these limits as defined in the Annexes of Directive 2011/65/EU (RoHS2). Finished electrical and electronic equipment products will be CE marked as required by Directive 2011/65/EU. Components may not be CE marked. Additionally, the part numbers that TE has identified as EU ELV compliant have a maximum concentration of 0.1% by weight in homogenous materials for lead, hexavalent chromium, and mercury, and 0.01% for cadmium, or qualify for an exemption to these limits as defined in the Annexes of Directive 2000/53/EC (ELV). Regarding the REACH Regulation, the information TE provides on SVHC in articles for this part number is based on the latest European Chemicals Agency (ECHA) 'Guidance on requirements for substances in articles' posted at this URL: <https://echa.europa.eu/guidance-documents/guidance-on-reach>

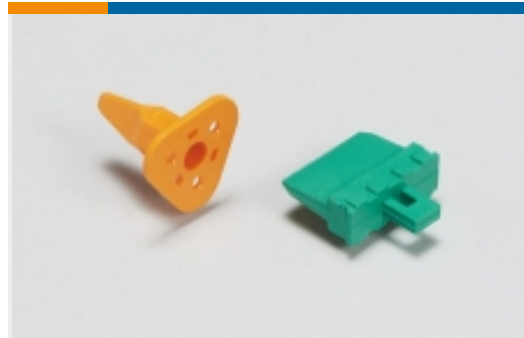
**Compatible Parts**



## Also in the Series | AMP MCP 2.8



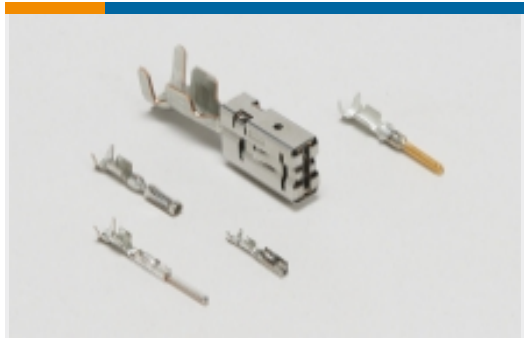
Automotive Connector Caps & Covers (1)



Automotive Connector Locks & Position Assurance (5)



Automotive Housings (162)



Automotive Terminals (54)



Connector Seals & Cavity Plugs (4)



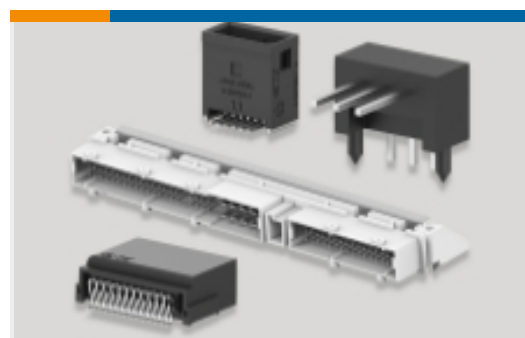
Insertion & Extraction Tools (6)



Module Components (1)



Other Automotive Connector Accessories (1)

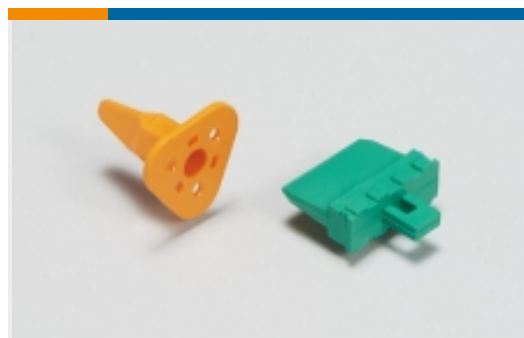


PCB Headers & Receptacles (1)

## Also in the Series | AMP MCP Connector System



Automotive Connector Caps & Covers (24)



Automotive Connector Locks & Position Assurance (4)

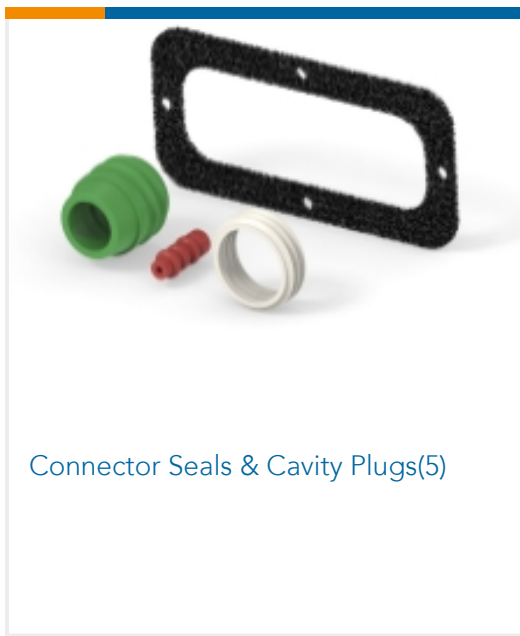


Automotive Housings (260)

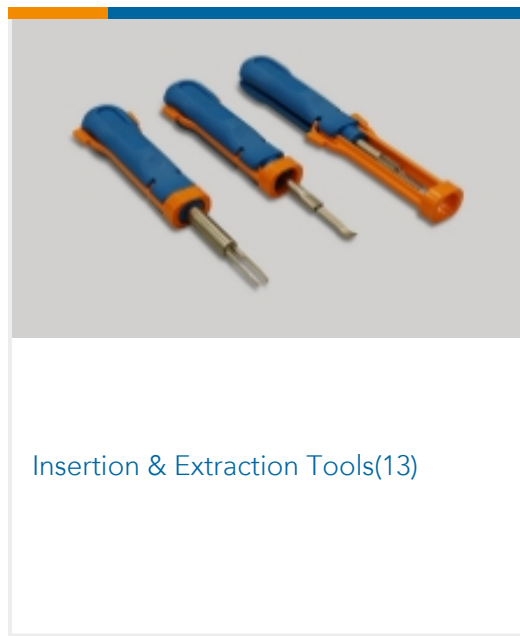


Automotive Terminals (10)

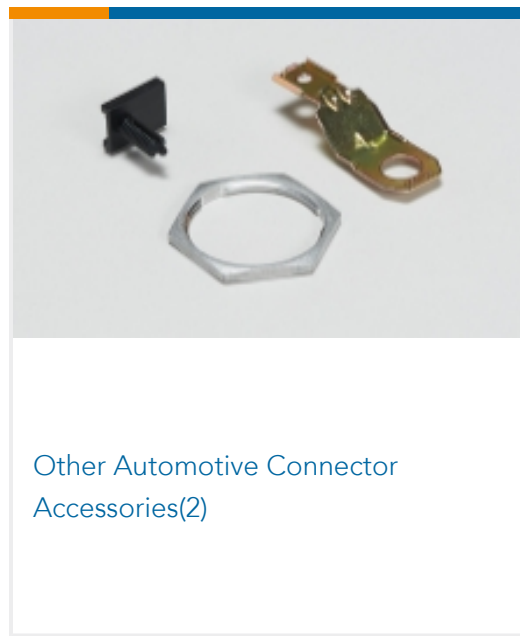




Connector Seals & Cavity Plugs(5)



Insertion & Extraction Tools(13)

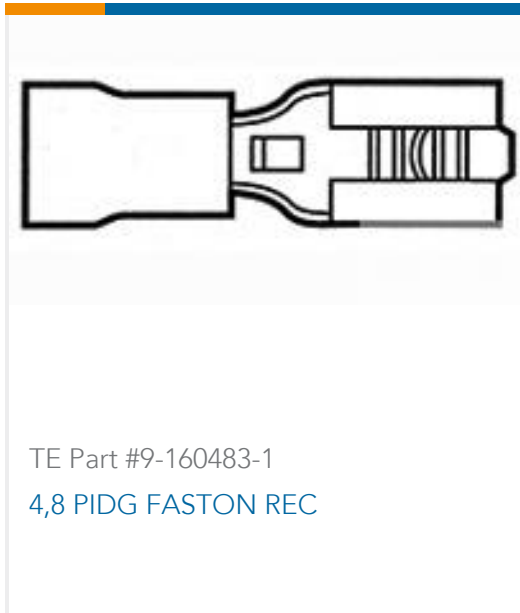


Other Automotive Connector Accessories(2)



PCB Headers & Receptacles(28)

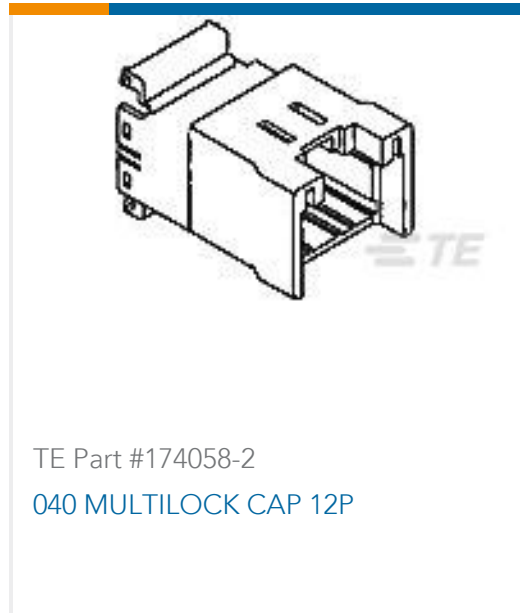
## Customers Also Bought



TE Part #9-160483-1  
4,8 PIDG FASTON REC



TE Part #1703838-1  
Heavy Duty Sealed Connector Series  
Fixing Slides



TE Part #174058-2  
040 MULTILOCK CAP 12P



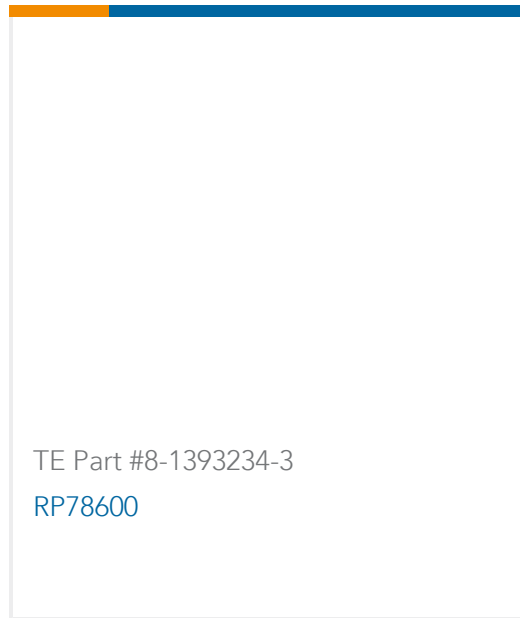
TE Part #1-1393154-7  
PT580024



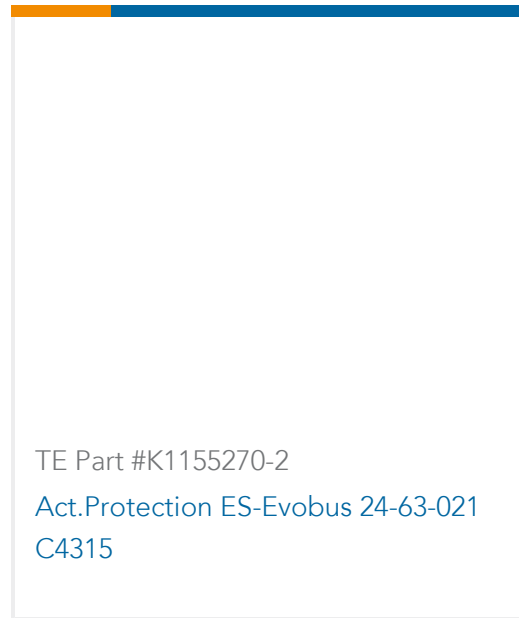
TE Part #1-2358263-1  
13POS,REC HSG ASSY,SLD,COD A



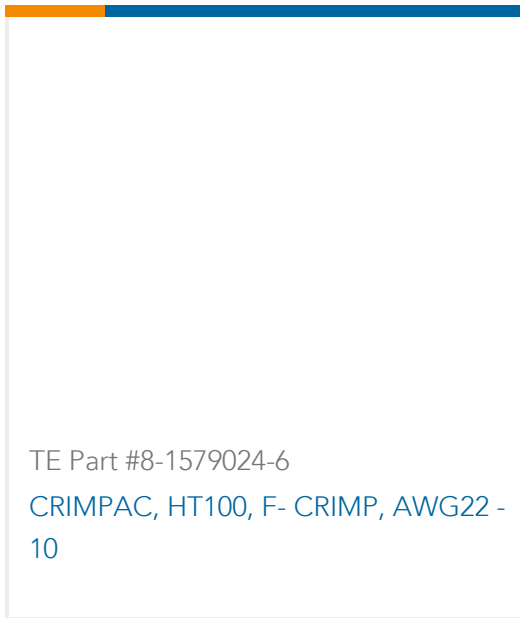
TE Part #928794-2  
FF 110 TAB PTP CUZN30



TE Part #8-1393234-3  
RP78600



TE Part #K1155270-2  
Act.Protection ES-Evobus 24-63-021  
C4315



TE Part #8-1579024-6  
CRIMPAC, HT100, F- CRIMP, AWG22 -  
10

## Documents

### Product Drawings

21 POS TAB HSG ASSY

English

### CAD Files

3D PDF

3D

Customer View Model

ENG\_CVM\_CVM\_1534188-1\_B.2d\_dxf.zip



English

**Customer View Model**

[ENG\\_CVM\\_CVM\\_1534188-1\\_B.3d\\_igs.zip](#)

English

**Customer View Model**

[ENG\\_CVM\\_CVM\\_1534188-1\\_B.3d\\_stp.zip](#)

English

By downloading the CAD file I accept and agree to the [Terms and Conditions](#) of use.

## Product Specifications

[Product Specification](#)

English