

RoHS
Compliant



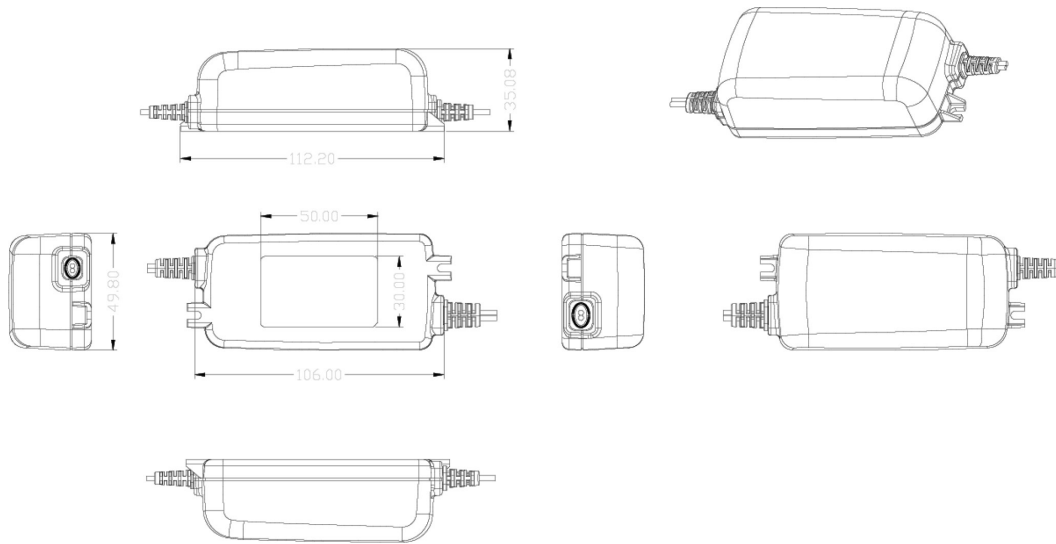
Features

- Universal / Full Range AC Input
- Fixed AC Mains lead—UK plug fitted—Can be cut off for direct wiring
- Small & compact design
- Meets latest energy efficiency legislation
- Safety Approved
- Integral fixing lugs suitable for mounting
- High reliability MTBF 50K hours

Specifications

Rated Input Voltage	: 100V AC to 240V AC
Full Input Voltage Range	: 90V AC to 264V AC
Full Frequency Range	: 47Hz to 63Hz
Voltage	: 12V DC
Current Max	: 2A
Power (Watts)	: 24W
Ripple & Noise	: 150mV P-P
Protections	: Over Current & Short Circuit
Case Size	: 106mm × 49.8mm × 35.09mm
Weight	: 138g
DC Cord	: 1.5m
DC Output Type	: 2.1mm × 5.5mm × 12mm Positive Centre (+ve C)
Line Regulation	: ±5% at rated load
Output Regulation	: ±5% at 0-100% load
AC Mains Leads	: 1.5m
Hi-Pot	: 3000V AC 10mA 1 min. (input to output)
Operating Temperature	: 0°C to 40°C
Storage Temperature	: -20°C to 80°C
MTBF	: 50K hours at 25°C

Diagram



Dimensions : Millimetres

Part Number Table

Description	Part Number
Wall Mounting Power Supply, 12V DC, 2A	MP014093

Dimensions : Millimetres

Important Notice : This data sheet and its contents (the "Information") belong to the members of the AVNET group of companies (the "Group") or are licensed to it. No licence is granted for the use of it other than for information purposes in connection with the products to which it relates. No licence of any intellectual property rights is granted. The Information is subject to change without notice and replaces all data sheets previously supplied. The Information supplied is believed to be accurate but the Group assumes no responsibility for its accuracy or completeness, any error in or omission from it or for any use made of it. Users of this data sheet should check for themselves the Information and the suitability of the products for their purpose and not make any assumptions based on information included or omitted. Liability for loss or damage resulting from any reliance on the Information or use of it (including liability resulting from negligence or where the Group was aware of the possibility of such loss or damage arising) is excluded. This will not operate to limit or restrict the Group's liability for death or personal injury resulting from its negligence. Multicomp Pro is the registered trademark of Premier Farnell Limited 2019.