



**RoHS**  
**Compliant**

## Description

The Stontronics range of 6 Watt Interchangeable wall plug power supplies provide 6 watts of continuous power with the flexibility of worldwide usage as they are supplied with UK, Euro, Auz & USA AC Heads , all Efficiency Level VI and carry worldwide safety approvals.

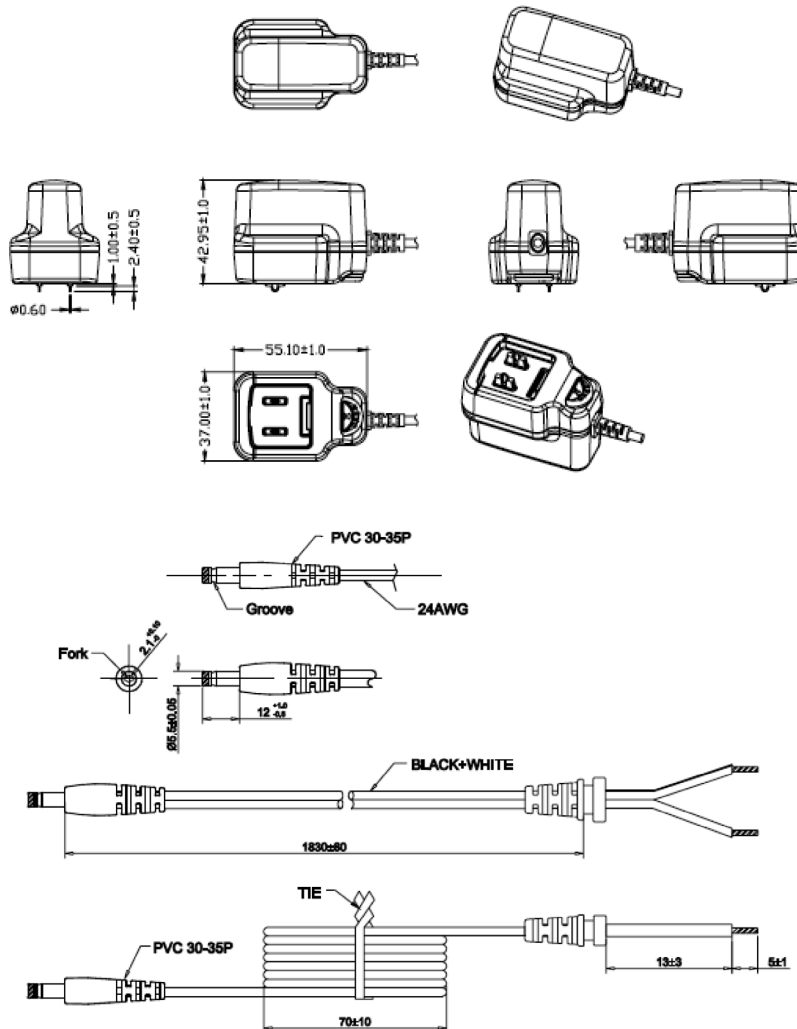
## Features

- Interchangeable AC Heads
- 1 Year Warranty
- Level VI Efficiency
- Worldwide Approvals

## Specifications

Input Voltage Range	: 90V AC to 264V AC
Input Frequency Range	: 50/60Hz ±3Hz
Input Current Rated	: 0.18A max.
Input AC Heads	: UK, Euro, Auz & USA
Output Voltage Rating	: +12V
Output Current Range	: 0.5A
Output Min Current	: 0.01A
Output Connection Type	: 2.1mm × 5.5mm × 12mm centre positive – Straight
Total Output Regulation	: ±5%
Line and Load Regulation	: ±5%
Ripple & Noise	: 200mVp-p
Efficiency	: 79.03% min
Over Voltage Protection	: Auto restart
Over Load Protection	: Auto restart
Operating Temperature	: 0°C to +40°C
Storage Temperature	: -20°C to +80°C
Operating Humidity	: 10% to 90%
Storage Humidity	: 10% to 90%
Hi-Pot	: 3000V AC 5mA 1min
Leakage Current	: <0.25mA max
Safety Standard	: UL, CSA, TUV, CE, UK, SAA
EMI Standard	: FCC part 15: Class B, EN55022:2010, Class B
MTBF	: 50K Hours
Size max.	: 55.1mm (L) × 37mm (W) × 42.95mm (H)
Weight	: 65g

**Diagram**



Dimensions : Millimetres

**Part Number Table**

Description	Part Number
AC Adaptor Interchangeable, 12V, 0.5A	MP014096

**Important Notice :** This data sheet and its contents (the "Information") belong to the members of the AVNET group of companies (the "Group") or are licensed to it. No licence is granted for the use of it other than for information purposes in connection with the products to which it relates. No licence of any intellectual property rights is granted. The Information is subject to change without notice and replaces all data sheets previously supplied. The Information supplied is believed to be accurate but the Group assumes no responsibility for its accuracy or completeness, any error in or omission from it or for any use made of it. Users of this data sheet should check for themselves the Information and the suitability of the products for their purpose and not make any assumptions based on information included or omitted. Liability for loss or damage resulting from any reliance on the Information or use of it (including liability resulting from negligence or where the Group was aware of the possibility of such loss or damage arising) is excluded. This will not operate to limit or restrict the Group's liability for death or personal injury resulting from its negligence. Multicomp Pro is the registered trademark of Premier Farnell Limited 2019.