



Overview

VISUAL SIGNALS - INDUSTRIAL - LED BEACONS

The all-new LED Rotating Beacon range supersedes the traditional belt driven parabolic reflector type Beacons and offers a superior operating life. Using an internal Reflective Mirror and incorporating 18 Super Bright LED's, these units offer a robust, powerful signal, ideally suited for general signalling & industrial applications.

The wide operating voltage ranges allows the product greater flexibility upon installation. A fixed 24vDC unit is available with Diode Polarisation for monitoring purposes.

The design allows for termination either through the M20 knockout (located on the side of the base) or through a terminal block situated in the recess at the bottom of the base.

Features

- Continuously rated
- 2 Rotating options
- Low current consumption
- Suitable for surface mounting
- Optional wall bracket - See accessories on page 2
- 3 point fix
- 360° light output around the vertical axis
- Diode Polarised 24vDC version available
- Available in 10-30vDC or 85-280vAC/DC

Material

- UV Stable Polycarbonate Lens
- UV Stable ABS Plastic Base

IP 65

Lightbulb icon 18 LED

Refresh icon 80 or 120 RPM*

Thermometer icon -25 to +55°C

Waveform icon 50/60Hz

*Rotation Per Minute | User selectable, 120 RPM as standard

APPROVALS & CONFORMITIES



ISSUE 1

✉ uksales@moflash.co.uk
moflashkm@moflash.com
exportsales@moflash.co.uk

☎ UK +44(0)121 446 5322
 FR +33(0)1 70 72 12 71

📍 11 Upper Conybere Street
 Highgate, Birmingham
 B12 0EB, England

🌐 www.moflash.com

Ordering Information

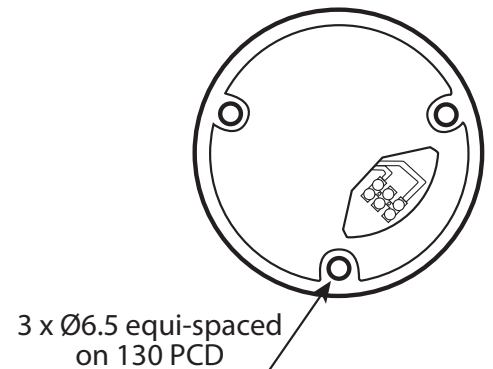
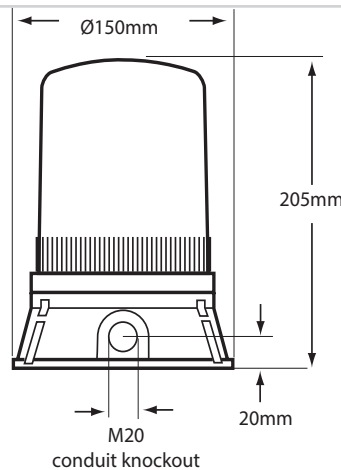
Voltage	Ordering Information					Mode & Current Consumption
Voltage Range	Amber	Red	Blue	Green	Clear	Rotating
10-30vDC	LED-R401-14-01	LED-R401-14-02	LED-R401-14-03	LED-R401-14-04	LED-R401-14-05	330mA @24vDC
24vDC*	LED-R401-14DP-01	LED-R401-14DP-02	LED-R401-14DP-03	LED-R401-14DP-04	LED-R401-14DP-05	330mA @24vDC
85-280vAC/DC	LED-R400-05-01	LED-R400-05-02	LED-R400-05-03	LED-R400-05-04	LED-R400-05-05	60mA @230vAC

*DP - Diode Polarized

Effective Candela (Cd)				
Amber	Red	Blue	Green	Clear
54.6	27.6	11.3	31.8	90

Weights & Dimensional Drawings

Kg	24v	24v DP	230v
Net Weight	0.700	0.700	0.770
Gross Weight	0.730	0.730	0.800



Accessories

Part Code	Description
50010	Cage Guard. Suitable for use with the 200, 400 and 500 Series Beacon ranges
50004	Angled Wall Bracket. Suitable for use with the 200, 400 & 500 Series Beacon ranges
50064	Amber Lens. Suitable for use with the 200, 400, 500 Series Beacon range.
50065	Red Lens. Suitable for use with the 200, 400, 500 Series Beacon range.
50066	Blue Lens. Suitable for use with the 200, 400, 500 Series Beacon range.
50067	Green Lens. Suitable for use with the 200, 400, 500 Series Beacon range.
50068	Clear Lens. Suitable for use with the 200, 400, 500 Series Beacon range.



50010



50004



50064



50065



50066



50067



50068



uksales@moflash.co.uk
moflashkm@moflash.com
exportsales@moflash.co.uk



11 Upper Conybere Street
Highgate, Birmingham
B12 0EB, England



www.moflash.com

APPROVALS & CONFORMITIES



UK +44(0)121 446 5322
FR +33(0)1 70 72 12 71