

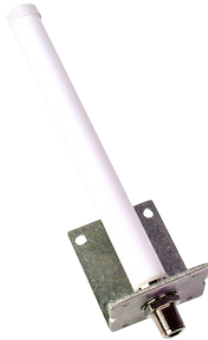


Oscar 41

4G / WIFI COMPACT WALL MOUNT OMNI ANTENNA

Key Features

- Compact wall or pole mount antenna
- Weather resistant
- Wideband antenna with 3dBi Peak Gain



General Description

The Oscar 41 is a compact bracket or pole mounted antenna for the 2G/3G/4G and WiFi frequency bands. The gain has been maximised in the upper frequency bands and enables great performance without having a long antenna length. The Oscar 41 is substantially made and comes with wall bracket included.

The antenna is commonly used for WiFi extenders on campsites and shopping malls.

Cable assemblies of varying lengths are available to order, see website for details.

Additional Considerations

- Robust construction
- Excellent high frequency gain

O Wall/Pole	2G GSM	3G UMTS	4G LTE
WLAN 2400	ISM 2450	BLE Bluetooth	ZB Zigbee



Oscar 41

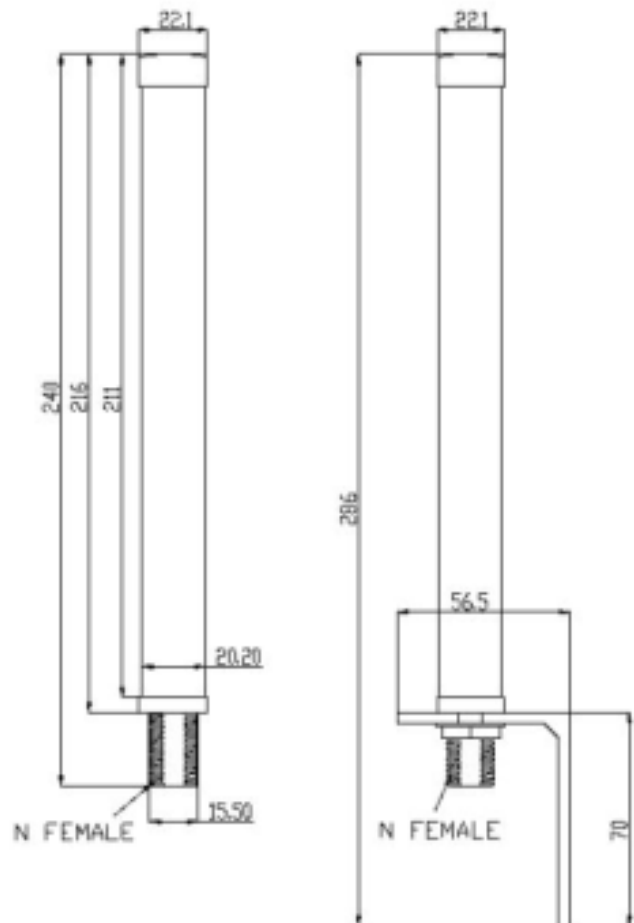
4G / WIFI COMPACT WALL MOUNT OMNI ANTENNA

Electrical Specifications

Impedance:	50 Ohm
VSWR:	≤3
Peak Gain:	2 / 4 / 6dBi
Frequency Range:	790 - 862 / 1710 - 2180 / 2300 - 2700MHz
H-Plane:	360°
E-Plane:	790 - 862MHz: 79° 1710 - 2180MHz: 36° 2300 - 2700MHz: 24°
Max Input Power:	10W
Polarization:	Vertical
Ground Plane Independent:	Yes

Mechanical Specifications

Operating Temperature:	-30 - +60°C
Weight:	148g
Dimensions:	Ø22 x 240mm ± 5mm
Connector:	N-Type Female
Material Radome:	ABS

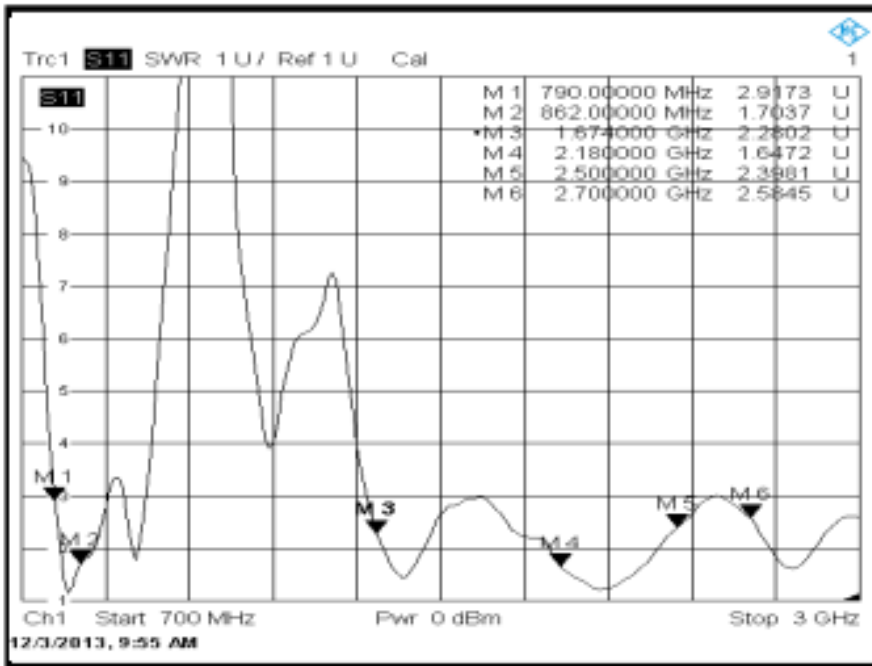




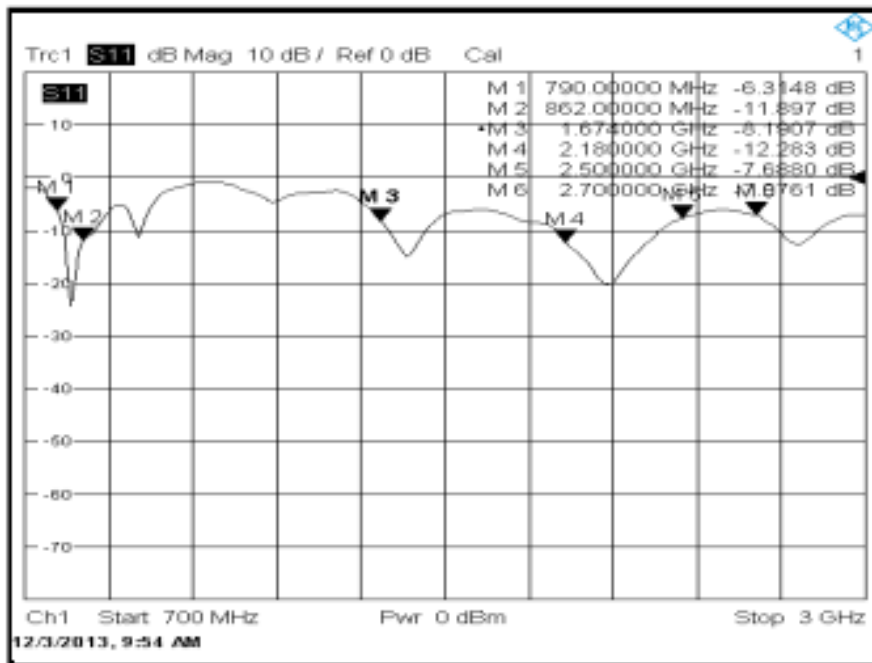
Oscar 41

4G / WIFI COMPACT WALL MOUNT OMNI ANTENNA

VSWR



Return Loss



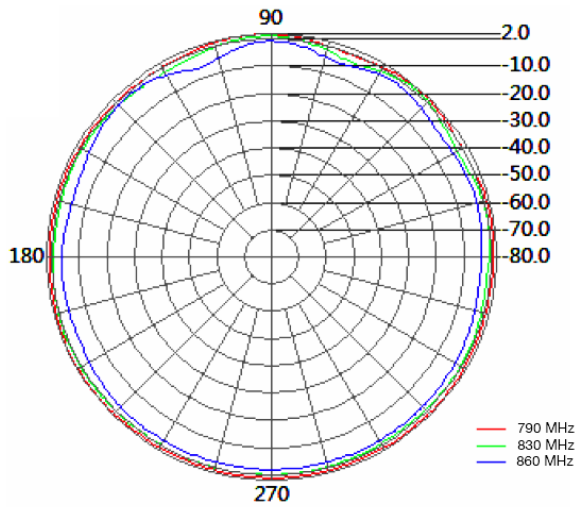


Oscar 41

4G / WIFI COMPACT WALL MOUNT OMNI ANTENNA

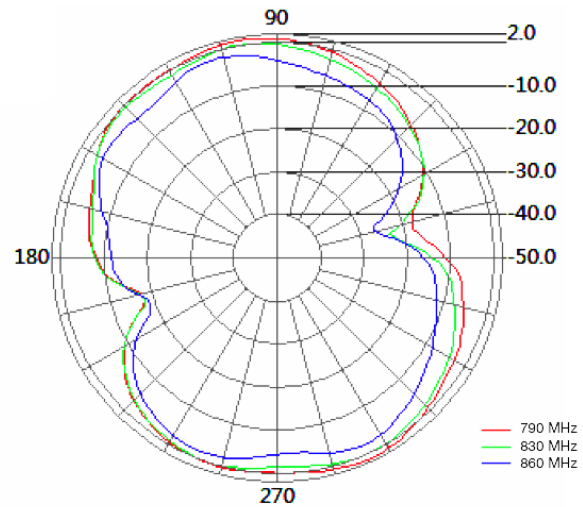
Radiation Patterns H Plane

790-862MHz

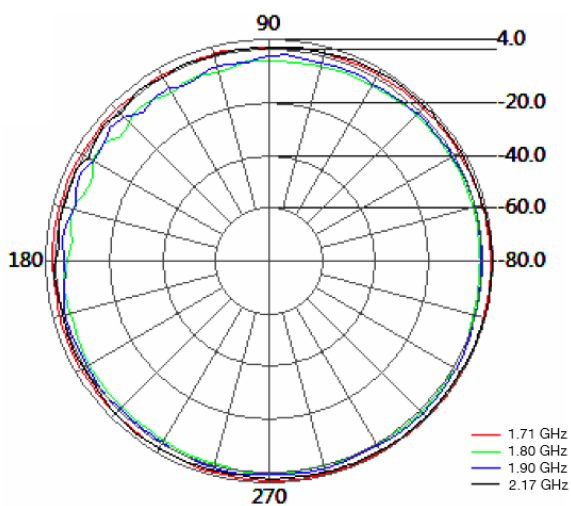


E Plane

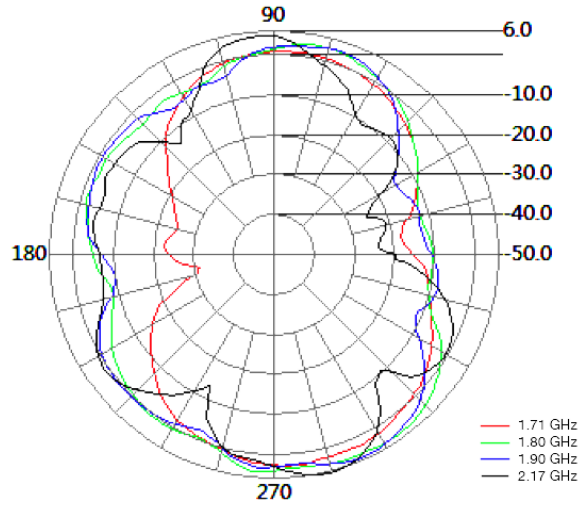
790-862MHz



1710 - 2180MHz



1710 - 2180MHz

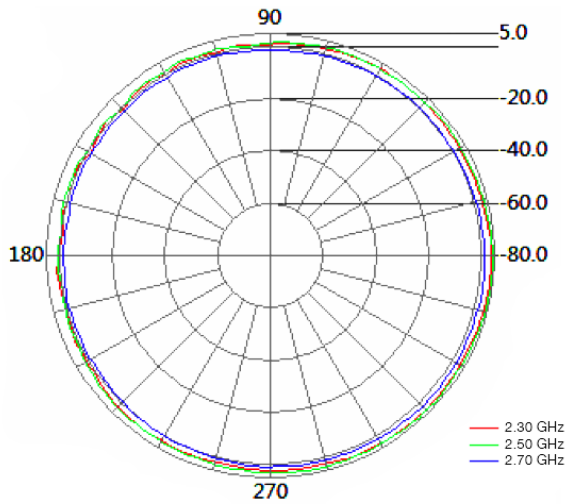




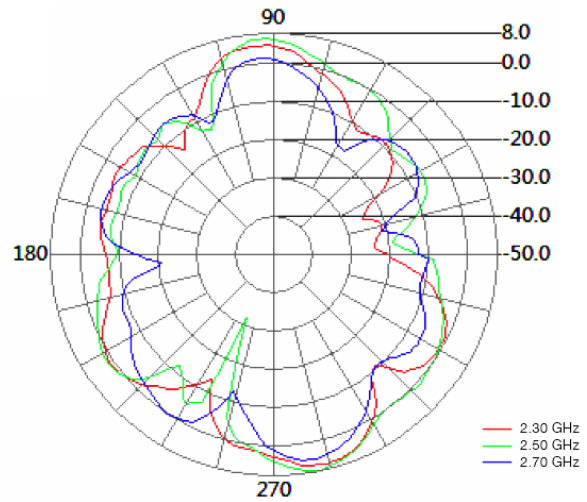
Oscar 41

4G / WIFI COMPACT WALL MOUNT OMNI ANTENNA

2300 - 2700MHz



2300 - 2700MHz



Ordering Details

Part Number	Description
OSCAR41/x/NTYPE-F/S/S/29	4G / WIFI COMPACT WALL MOUNT OMNI ANTENNA N-TYPE FEMALE CONNECTOR NO CABLE
ASMA300R058L13	SMA(M) TO N TYPE(M) CONNECTOR 3M LOW LOSS (LLC200A) CABLE
ASMA500R058L13	SMA(M) TO N TYPE(M) 5M LOW LOSS (LLC200A) CABLE ASSEMBLY
ASMR1000A058L13	N-TYPE(M) TO SMA(M) 10M LOW LOSS (LLC200A) CABLE ASSEMBLY