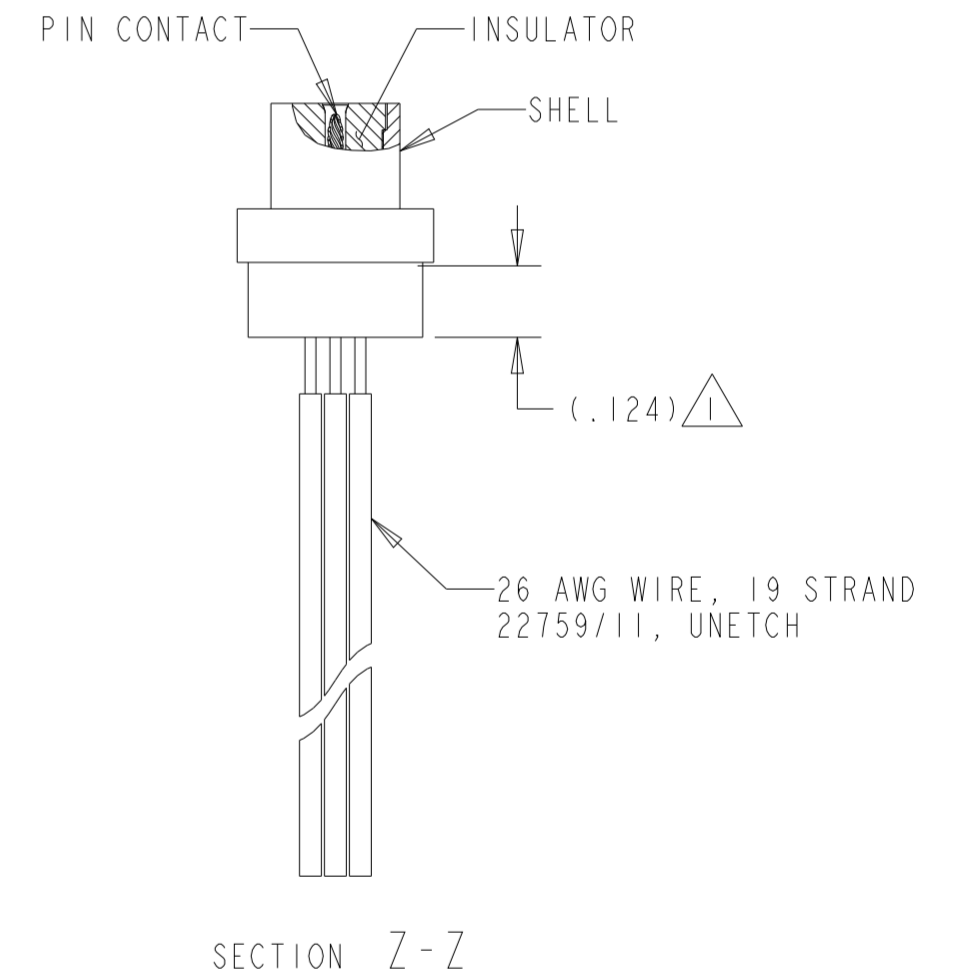
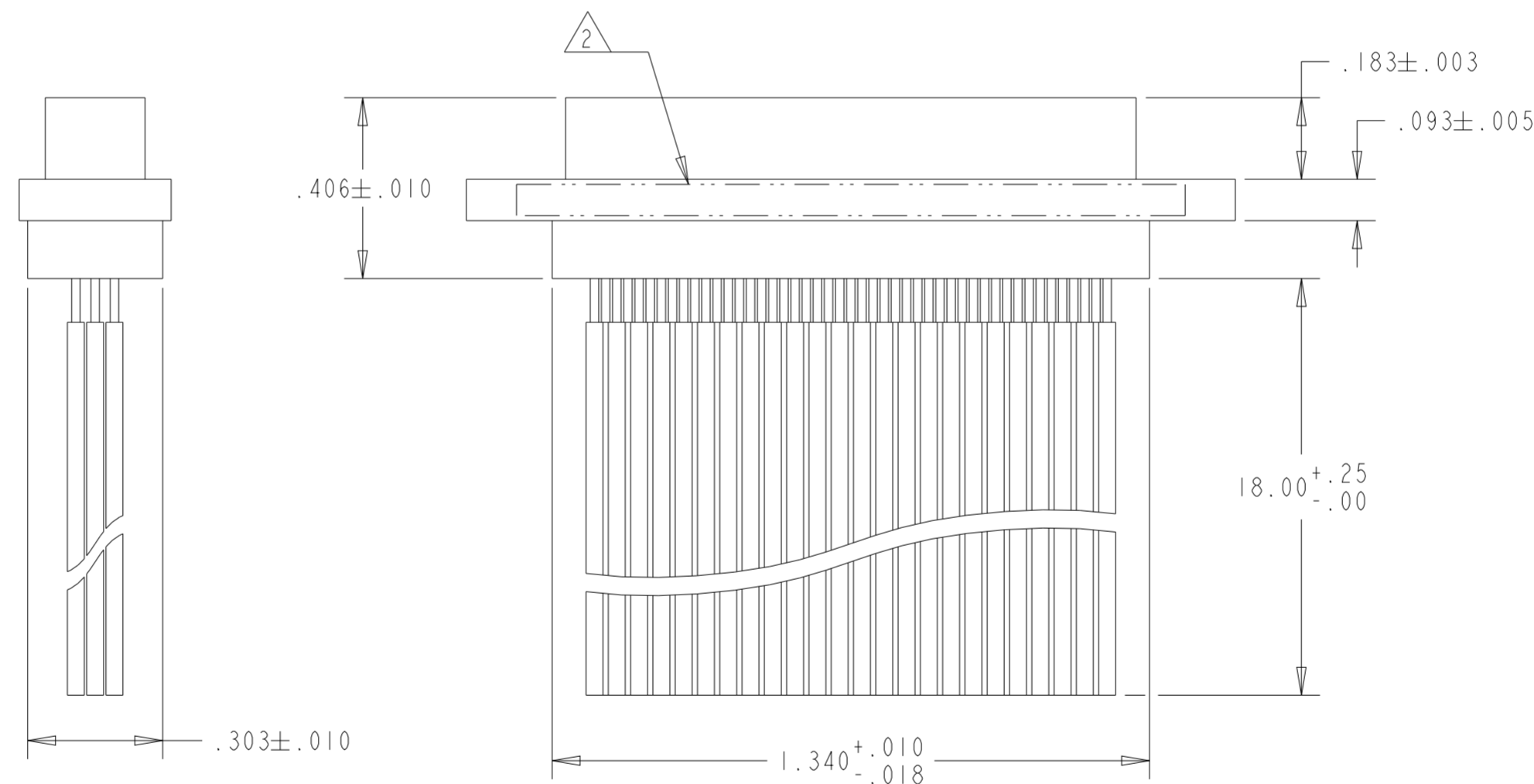
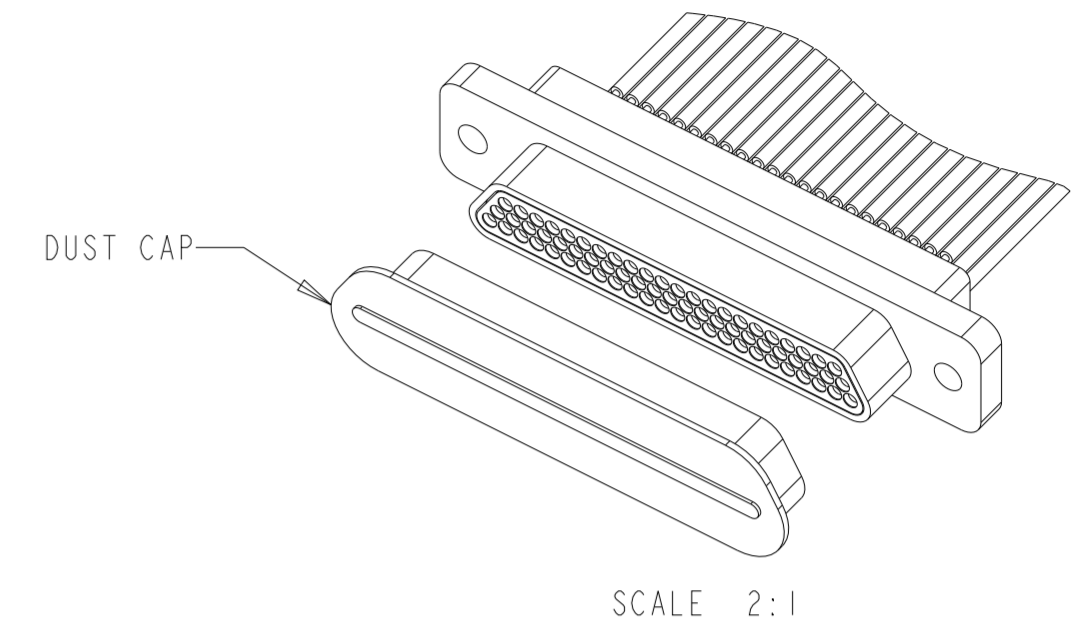
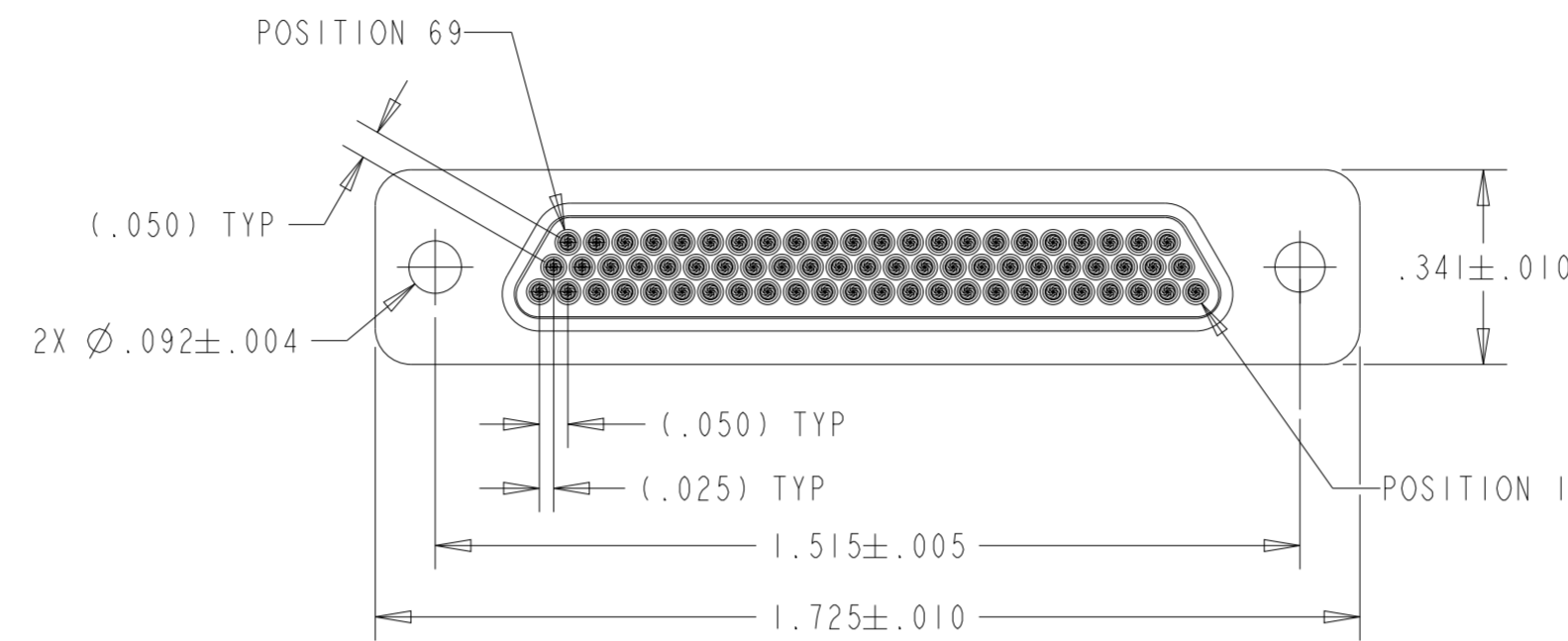


REVISIONS					
P	LTR	DESCRIPTION	DATE	DWN	APVD
1		ECN-22-165860	26MAY2022	AYG	NH
2		ECN-23-194468	17JAN2023	LS	NH
A		ECN-23-217317	06JUNE2023	HD	NH



1 POTTING LEVEL UP TO THE HEIGHT AS SHOWN

2 INMARK TE PN AND DATE CODE YYWW ON CONNECTOR SHELL

3 SPECIFICATION:

A. ELECTRICAL:
 CONTACT RESISTANCE : 25 mV MAX. AT 3 AMPS
 INSULATION RESISTANCE : 5000 MΩ MIN. @ 500 VDC AT AMBIENT ROOM TEMPERATURE
 CURRENT RATING : 3 AMP MAX. PER CONTACT

B. MECHANICAL:
 CONTACT ENGAGING FORCE : 2.22 N MAX. PER CONTACT
 CONTACT SEPERATION FORCE : 1.67 N TYP PER CONTACT

C. ENVIRONMENTAL:
 OPERATING TEMPERATURE : -55° C TO +125° C
 VIBRATION CHARACTERISTICS : PER MIL-83513 SECTION 3.5.12 AND 4.5.14

4 MATERIAL:
 SHELL : ALUMINIUM ALLOY 6061 T6 GRADE.
 CONTACT : COPPER ALLOY
 INSULATION : PPS

5 FINISH:
 CONTACTS : GOLD PLATED PER MIL-G-45204, TYPE II, CLASS I

MCK-NI-B-69P6GI-18
 PART DESCRIPTION

THIS DRAWING IS A CONTROLLED DOCUMENT.		DWN 26MAY2022 A Y GANESHA	TE Connectivity	
DIMENSIONS: INCH		CHK 26MAY2022 HARISH DAS		
TOLERANCES UNLESS OTHERWISE SPECIFIED:		APVD 26MAY2022 NIRANJAN HEGDE	NAME PLUG ASSY, SIZE 69, 3 ROW	
0 PLC ± 1 PLC ±.010 2 PLC ±.005 3 PLC ± 4 PLC ± ANGLES ±1° FINISH		PRODUCT SPEC 108-116083	SIZE A2	CAGE CODE 98278
MATERIAL 4		APPLICATION SPEC 114-116083	DRAWING NO C-2415933	RESTRICTED TO -
		WEIGHT 78g	SCALE 3:1	SHEET 1 OF 2
		CUSTOMER DRAWING	REV A	

REVISIONS

P	LTR	DESCRIPTION	DATE	DWN	APVD
-		SEE SHEET 1	-	-	-

MCK - NI - B - 69 P 6 A G - K

CONNECTOR SERIES
MCK

SHELL FINISH
NI - NICKEL, ELECTROLESS
C2 - CADMIUM, YELLOW CHROMATE

HARDWARE
B - NO HARDWARE
KM - JACKSCREW, SLOTTED HEAD, HIGH PROFILE
LM - JACKSCREW, SLOTTED HEAD, LOW PROFILE
QM - JACKSCREW, ALLEN HEAD, HIGH PROFILE
RM - JACKSCREW, ALLEN HEAD, LOW PROFILE
P - JACKPOST ASSEMBLY

LAYOUT
69 POSITION, 3 ROW CONTACT ARRANGEMENT


CONTACT TYPE
P - PIN (PLUG)

LEAD LENGTH (inches) Min
18, 24, 36, 72 (FOR OTHER LENGTHS CONTACT TE CONNECTIVITY)

INSULATION COLOR
1 - ALL WHITE WIRE 7 - COLOR CODED PER MIL-STD-681, SYSTEM 1
2 - ALL YELLOW WIRE 8 - SPECIAL COLOR CODE
3 - ALL GREY WIRE 9 - 10 SOLID COLOR REPEATING PER MIL-DTL-83513

WIRE TYPE
PER MIL-W-16878 {
A - TYPE E, 7 STRAND
B - TYPE ET, 7 STRAND
C - TYPE E, 19 STRAND
D - TYPE ET, 19 STRAND
G - 19 STRAND PER MIL-C-22759/11 (26 AWG), 24 AWG
Q - STRANDED PER MIL-W-22759/33 (26 AWG)

WIRE SIZE
4-24 AWG 5-25 AWG 6-26 AWG 8-28 AWG 0-30 AWG

THIS DRAWING IS A CONTROLLED DOCUMENT.		DWN A Y GANESHA 26MAY2022	 TE Connectivity	
DIMENSIONS: INCH		CHK HARISH DAS 26MAY2022		
TOLERANCES UNLESS OTHERWISE SPECIFIED: 0 PLC ±- 1 PLC ±- 2 PLC ±.010 3 PLC ±.005 4 PLC ±- ANGLES ±1°		APVD NIRANJAN HEGDE 26MAY2022	NAME PLUG ASSY, SIZE 69, 3 ROW	
MATERIAL		PRODUCT SPEC 108-116083	SIZE A2	CAGE CODE 98278
FINISH		APPLICATION SPEC 114-116083	DRAWING NO C-2415933	RESTRICTED TO -
		WEIGHT 78g	SCALE 3:1	SHEET 2 OF 2
		CUSTOMER DRAWING	REV A	