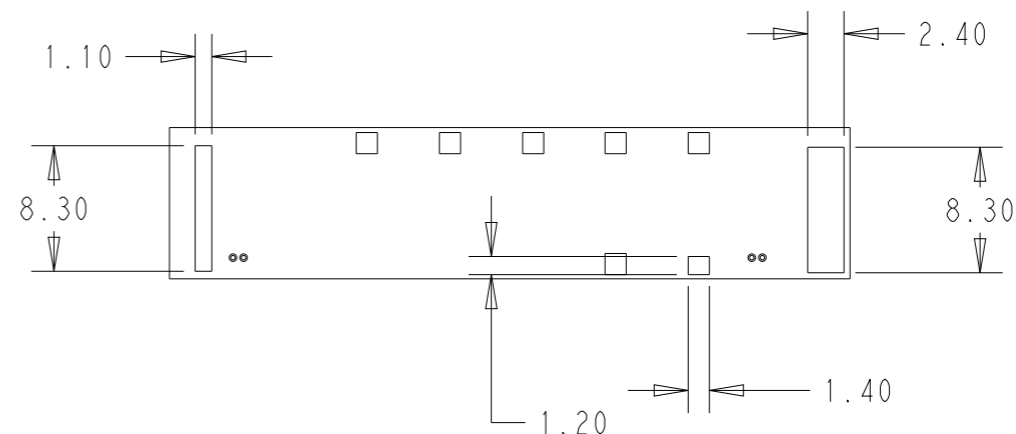
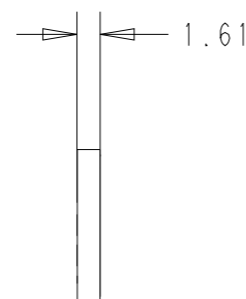
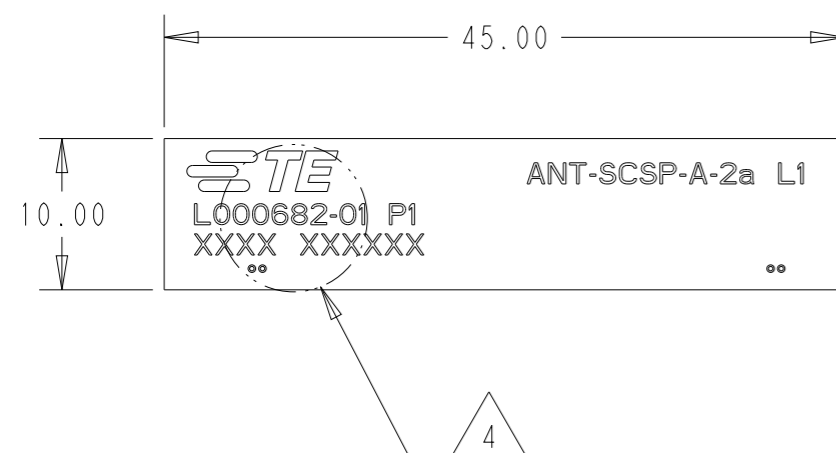


P	LTR	DESCRIPTION	DATE	DWN	APVD
	A4	REVISED PER ECN-24-277135	26 JUL 2024	SJ	WT

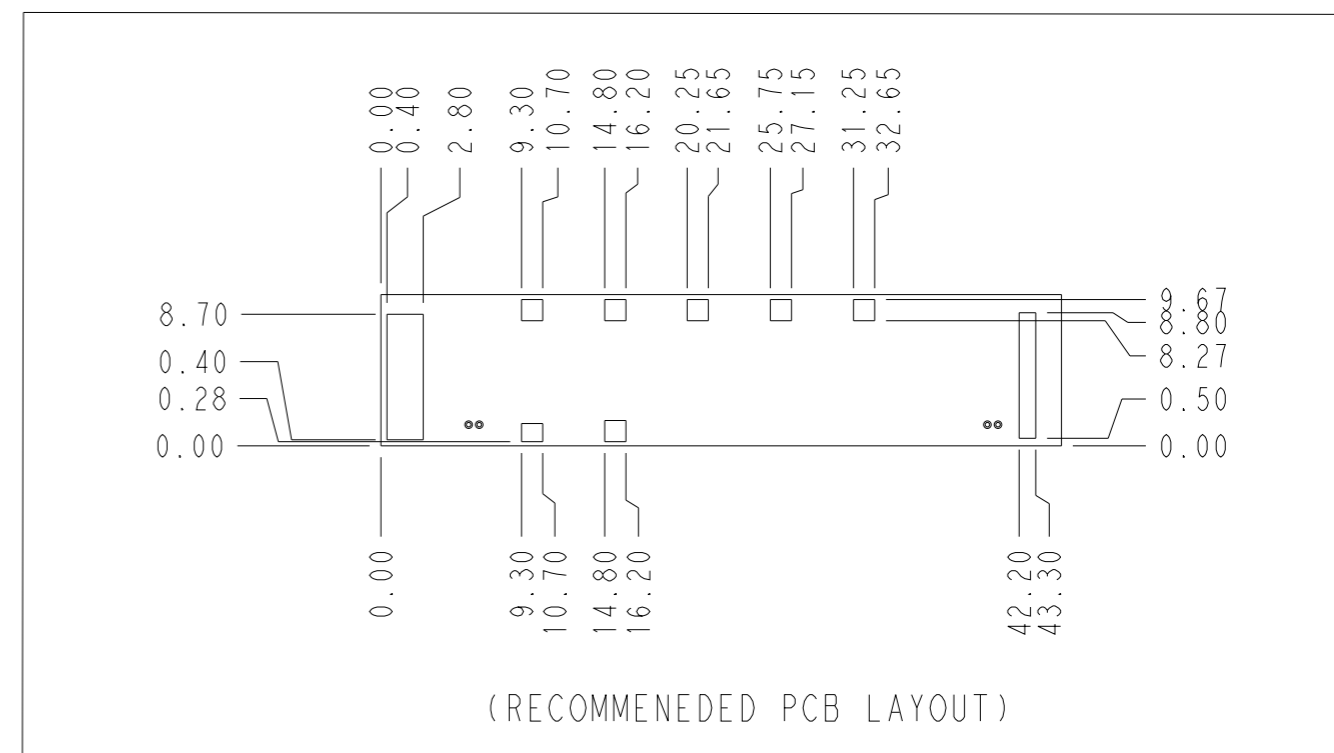


NOTES: UNLESS OTHERWISE SPECIFIED.

- FABRICATE TO MEET IPC - 6012, CLASS 2. INSPECT TO MEET IPC - A - 600, CLASS 2.
- MATERIAL: FR-4 PCB, THK 1.61
- FINISH:
 - A: PLATING : 1 OZ COPPER (FOR THROUGH HOLE)
 - B: SOLDERMASK OVER BASE COPPER (SMOBS)
 - C: SOLDERMASK COLOR : ORANGE
 - D: (ENIG) ELECTROLESS NICKEL IMMERSION GOLD FINISH 0.03um MIN. GOLD OVER 3um MIN NICKEL.

- 4 SILKSCREEN; WHITE EPOXY INK
- A. TE LOGO, TE P/N
 - B. WORD REV., FOLLOWED BY THE LATEST REVISION LETTER, AS SHOWN.
 - C. 4 DIGIT DATE CODE: FIRST 2 DIGITS FOR THE WEEK CODE AND THE 2ND TWO DIGITS FOR THE YEAR CODE.
 - OTHERS: SPECIFIC TE SOURCE CODE NUMBER DIGITS AS REQUIRED

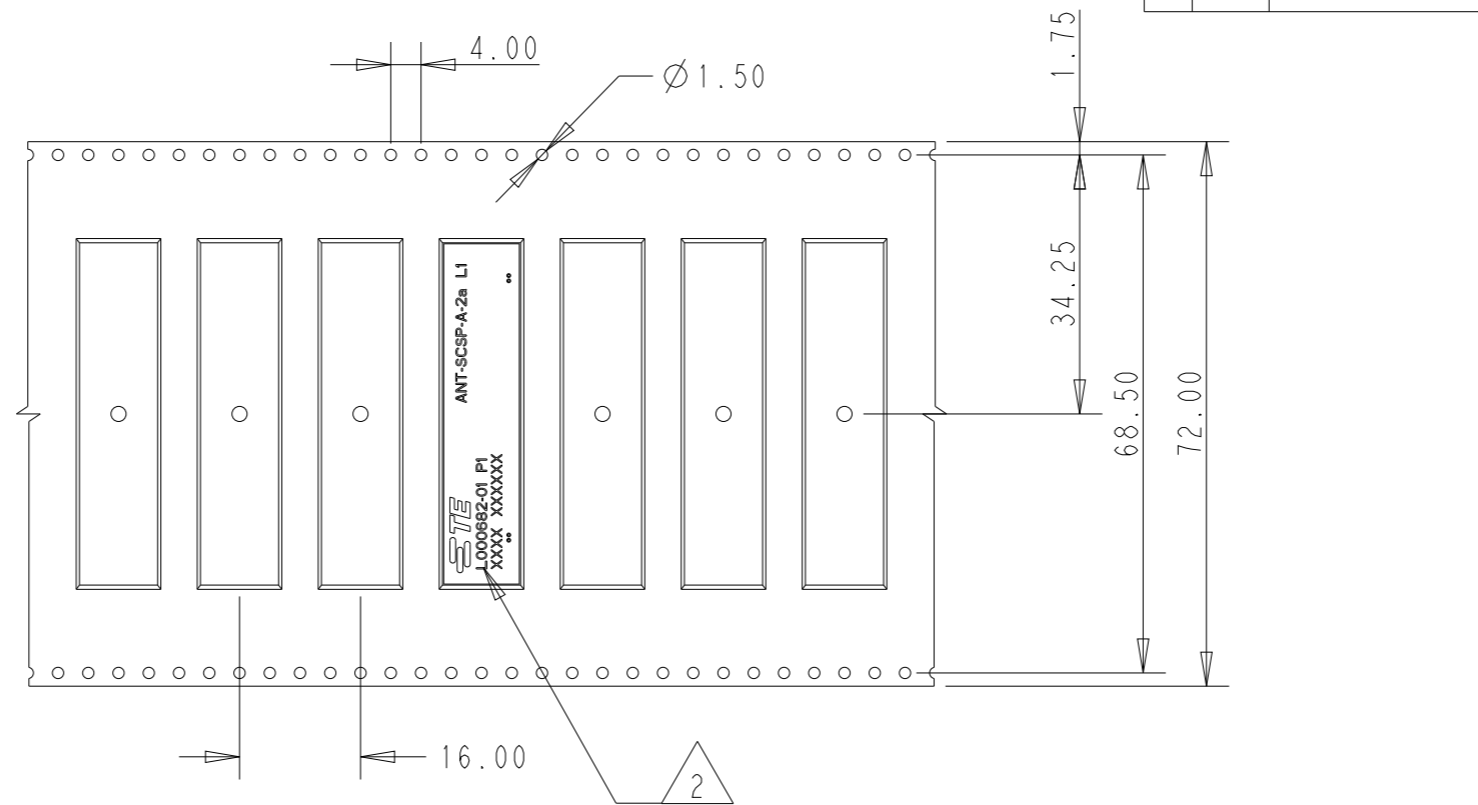
- CONSULT TE CONNECTIVITY DATA SHEET : L000682-01.
- CONTACT TE CONNECTIVITY ENGINEERING PRIOR TO DESIGNING INTO AN APPLICATION.
- PACKAGING: TAPE AND REEL PACKAGED, SEE SHEET 2.
- REFER TO RF TEST EVALUATION BOARD, SEE SHEET 3.



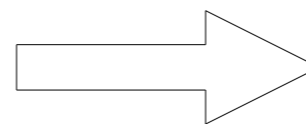
TAPE AND REELED	L000682-01
PACKAGING	PART NUMBER

THIS DRAWING IS A CONTROLLED DOCUMENT.		DWN	SJ, NOH	27 JUL 2023	TE Connectivity NAME SPLATCH 5G/LTE EUROPE WIDEBAND CHIP ANTENNA 617-5000MHZ							
DIMENSIONS: mm		CHK	-	27 JUL 2023								
TOLERANCES UNLESS OTHERWISE SPECIFIED:		APVD	JH, KIM	27 JUL 2023								
0 PLC ±- 1 PLC ±- 2 PLC ±- 3 PLC ±- 4 PLC ±- ANGLES ±-		PRODUCT SPEC	-	-								
MATERIAL	TBD	APPLICATION SPEC	-	-	SIZE	A3	CAGE CODE	00779	DRAWING NO	©-L000682	RESTRICTED TO	-
FINISH		WEIGHT	-	-	CUSTOMER DRAWING		SCALE	2:1	SHEET	1 OF 3	REV	A4

P	LTR	DESCRIPTION	DATE	DWN	APVD
-	-	SEE SHEET 1	-	-	-



USER DIRECTION OF UREELING



NOTES: UNLESS OTHERWISE SPECIFIED.

1. MATERIALS FOR CARRIER TAPE TO BE SELECTED BY SUPPLIER AND APPROVED BY TE CONNECTIVITY.

2 ORIENT PARTS AS SHOWN.

3. MATERIALS FOR COVER TAPE TO BE SELECTED BY SUPPLIER AND APPROVED BY TE CONNECTIVITY.

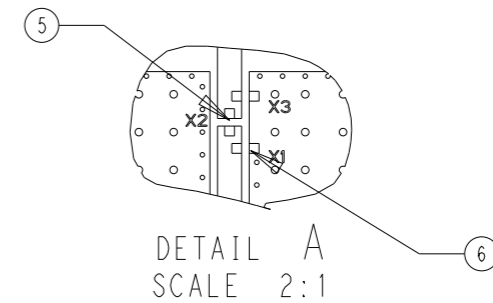
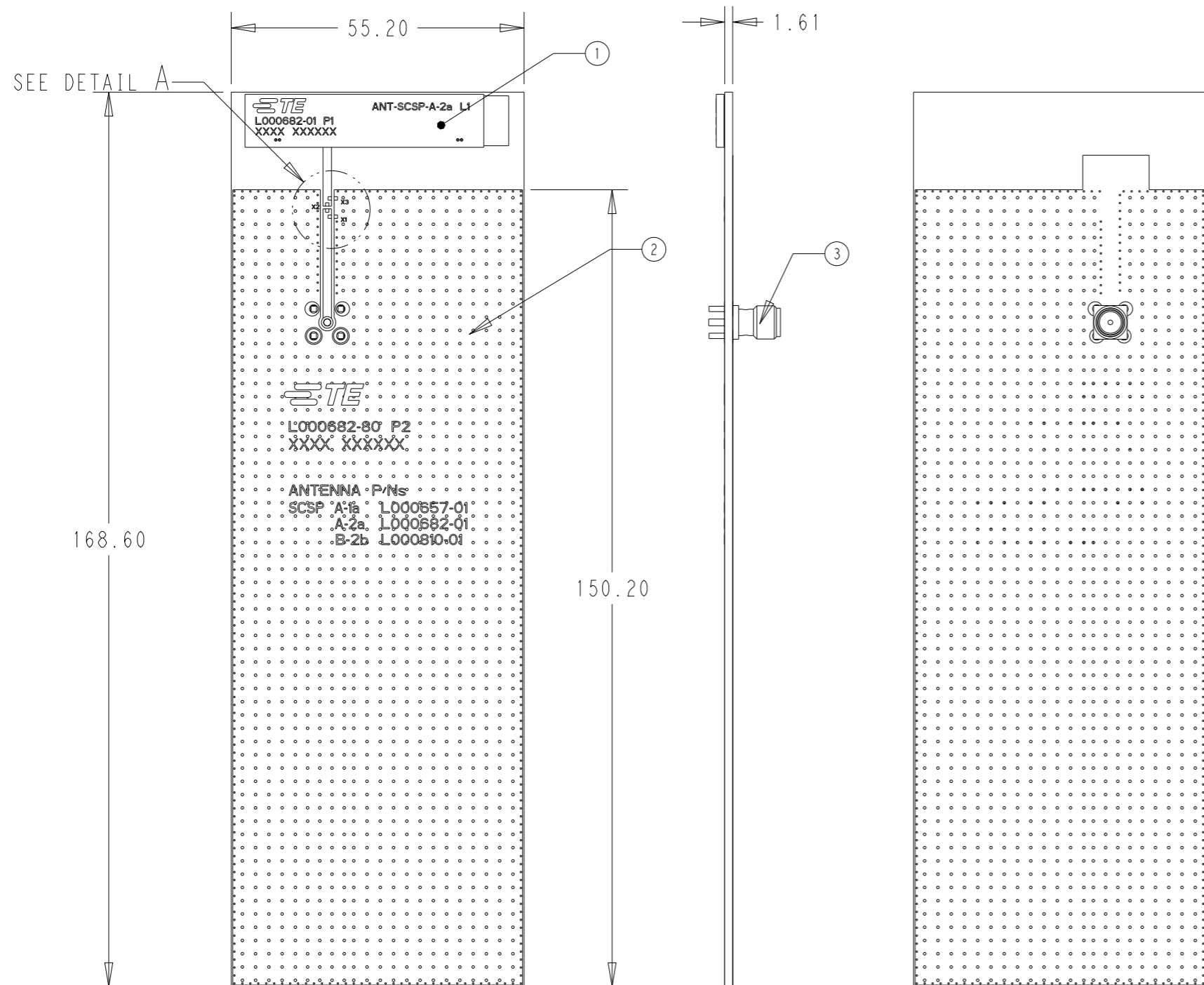
4. PARTS MUST CONFORM TO E.I.A STANDARDS.

5. PARTS ARE COMPLIANT TO RoHS STANDARDS PER TE CONNECTIVITY. STANDARD TEC-138-702.

6. PACKAGING Q'TY : 1500 / REEL

THIS DRAWING IS A CONTROLLED DOCUMENT.		DWN	SJ.NOH	27JUL2023	TE Connectivity	
DIMENSIONS: mm		CHK	-	27JUL2023		
		APVD	JH.KIM	27JUL2023		
TOLERANCES UNLESS OTHERWISE SPECIFIED: 0 PLC ±- 1 PLC ±- 2 PLC ±- 3 PLC ±- 4 PLC ±- ANGLES ±-		PRODUCT SPEC	NAME			
MATERIAL TBD		FINISH		-		SPLATCH 5G/LTE EUROPE WIDEBAND CHIP ANTENNA 617-5000MHZ
-		finish_spec_2		-		SIZE A3 CAGE CODE 00779 DRAWING NO C=L000682 RESTRICTED TO -
CUSTOMER DRAWING			SCALE 1:1 SHEET 2 OF 3 REV A4			

P	LTR	DESCRIPTION	DATE	DWN	APVD
-	-	SEE SHEET 1	-	-	-



DETAIL A
SCALE 2:1

AS SHOWN L000682-80

L000682-80
PART NUMBER

QTY	DESCRIPTION	ITEM
1	"X2" RESISTOR 0ohm	5
1	"X1" INDUCTOR 15nH	4
1	SMA PCB VERT CONNECTOR	3
1	EVALRATION BORD	2
1	PCB ANTENNA	1

THIS DRAWING IS A CONTROLLED DOCUMENT.		DWN	SJ.NOH	27JUL2023	TE Connectivity NAME SPLATCH 5G/LTE EUROPE WIDEBAND CHIP ANTENNA 617-5000MHZ		
DIMENSIONS: mm		CHK	-	27JUL2023			
TOLERANCES UNLESS OTHERWISE SPECIFIED:		APVD	JH.KIM	27JUL2023			
0 PLC ±- 1 PLC ±- 2 PLC ±- 3 PLC ±- 4 PLC ±- ANGLES ±-		PRODUCT SPEC	-	-			
MATERIAL	TBD	FINISH	-	finish_spec_2	APPLICATION SPEC	-	
-		WEIGHT	-	-	SIZE	A3	
-		CUSTOMER DRAWING		SCALE	2:1	CAGE CODE	00779
-		-		RESTRICTED TO	-	DRAWING NO	©-L000682
-		-		SCALE	2:1	SHEET	3 OF 3
-		-		REV	A4		