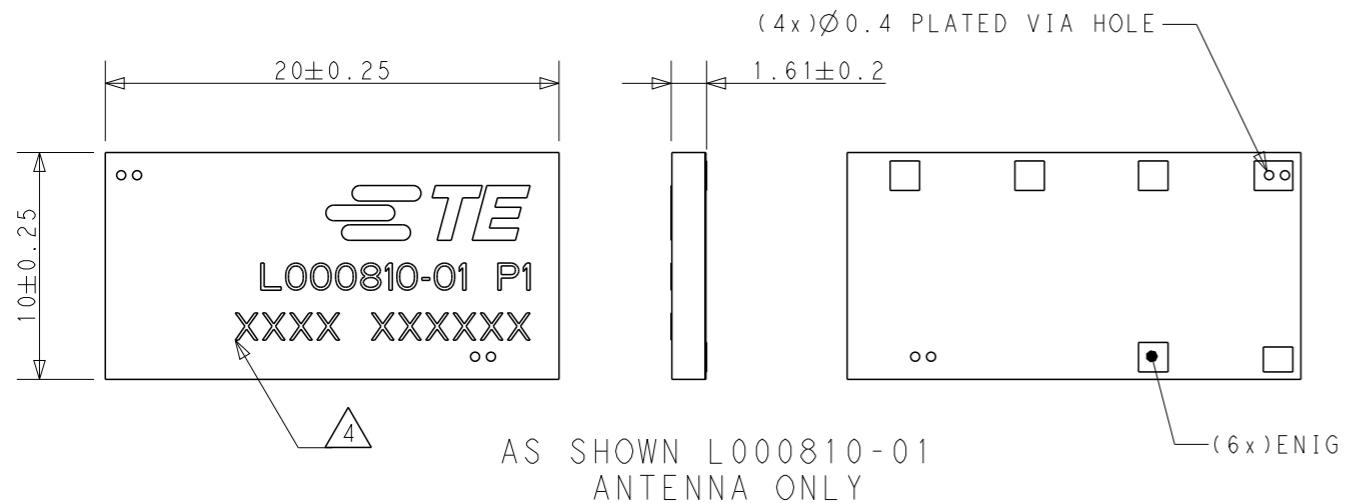
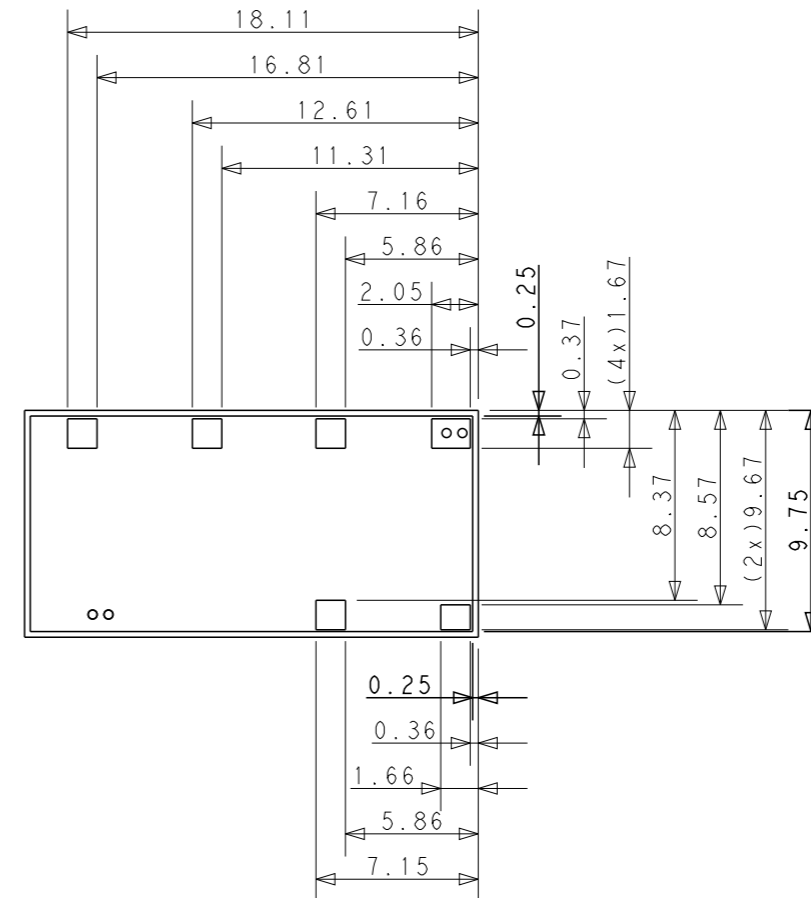


P	LTR	DESCRIPTION	DATE	DWN	APVD
	A	REVISED PER ECN-23-241080	27NOV2023	DW	JH
	A1	REVISED PER ECN-24-250301	31JAN2024	DW	JH
	A2	REVISED PER ECN-24-267958	28MAY2024	DW	JH



AS SHOWN L000810-01  
ANTENNA ONLY



[FOR REFERENCE]  
RECOMMENDED BACK SIDE LAYOUT

NOTES: UNLESS OTHERWISE SPECIFIED.

- FABRICATE TO MEET IPC - 6012, CLASS 2.  
INSPECT TO MEET IPC - A - 600, CLASS 2.
- MATERIAL: FR-4 PCB , THK 1.61
- FINISH:  
A: PLATING : 1 OZ COPPER (FOR THROUGH HOLE)  
B: SOLDERMASK OVER BASE COPPER (SMOBSG)  
C: SOLDERMASK COLOR : ORANGE  
D: (ENIG) ELECTROLESS NICKEL IMMERSION GOLD  
FINISH 0.03um MIN. GOLD OVER 3um MIN NICKEL.

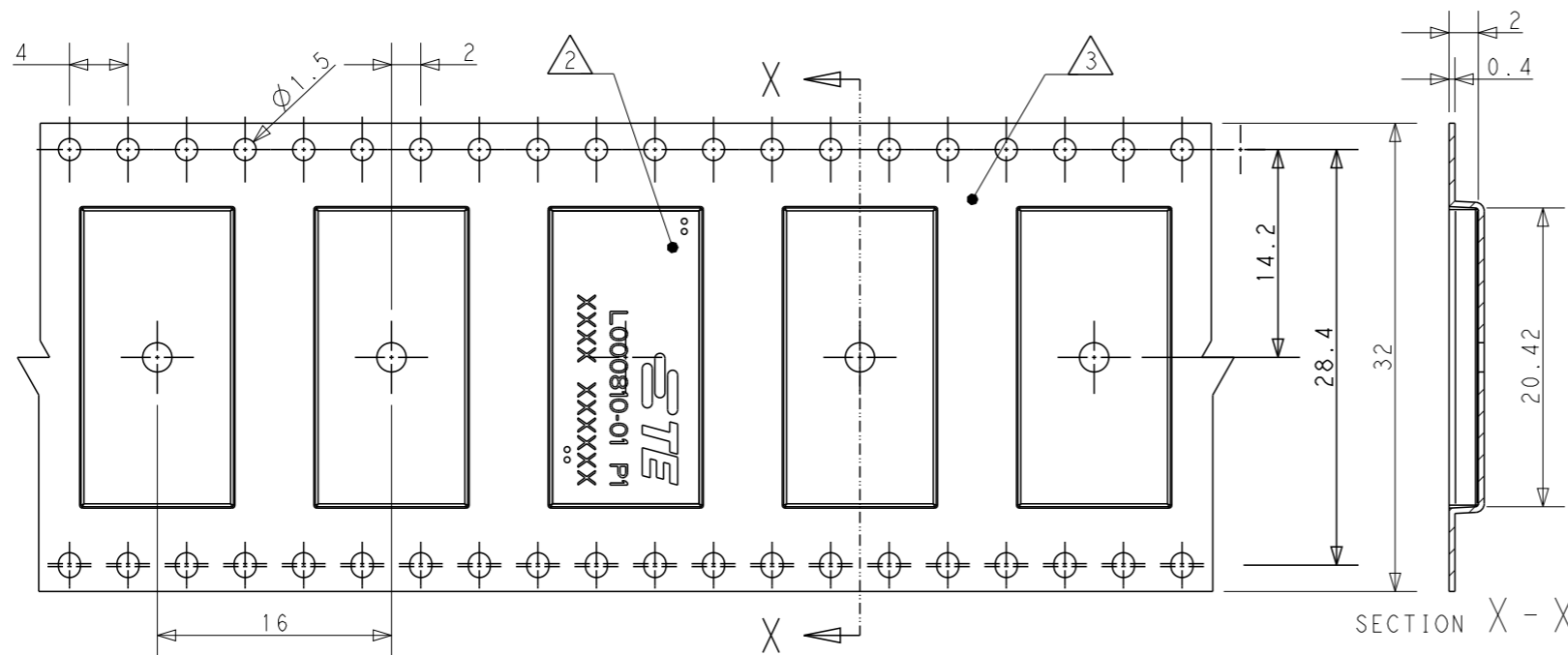
- 4 SILKSCREEN; WHITE EPOXY INK  
A. TE LOGO, TE P/N  
B. WORD REV., FOLLOWED BY THE LATEST REVISION LETTER, AS SHOWN.  
C. 4 DIGIT DATE CODE: FIRST 2 DIGITS FOR THE WEEK CODE AND THE 2ND TWO DIGITS FOR THE YEAR CODE.  
OTHERS: SPECIFIC TE SOURCE CODE NUMBER DIGITS AS REQUIRED

- CONSULT TE CONNECTIVITY DATA SHEET : L000810.
- GENERAL TOLERANCE : ±0.2
- CONTACT TE CONNECTIVITY ENGINEERING PRIOR TO DESIGNING INTO AN APPLICATION.
- PACKAGING: TAPE AND REEL PACKAGED, SEE SHEET 2.

TAPE AND REELED	L000810-01
PACKAGING	PART NUMBER

THIS DRAWING IS A CONTROLLED DOCUMENT.		DWN DW.PARK	10AUG2023	TE Connectivity NAME SPLATCH CBRS/5G MIDBAND CHIP ANT 2.5-5G -	
DIMENSIONS: mm		CHK SJ.NOH	10AUG2023		
		APVD JH.KIM	10AUG2023		
		PRODUCT SPEC 108-61420			
MATERIAL SEE NOTE 2		APPLICATION SPEC -		SIZE A3	CAGE CODE 00779
-		FINISH -		DRAWING NO L000810	
-		CUSTOMER DRAWING		RESTRICTED TO -	SCALE 3:1
-		WEIGHT -		SHEET 1 OF 3	
-		-		REV A2	

P	LTR	DESCRIPTION	DATE	DWN	APVD
		SEE SHEET 1			



NOTES.

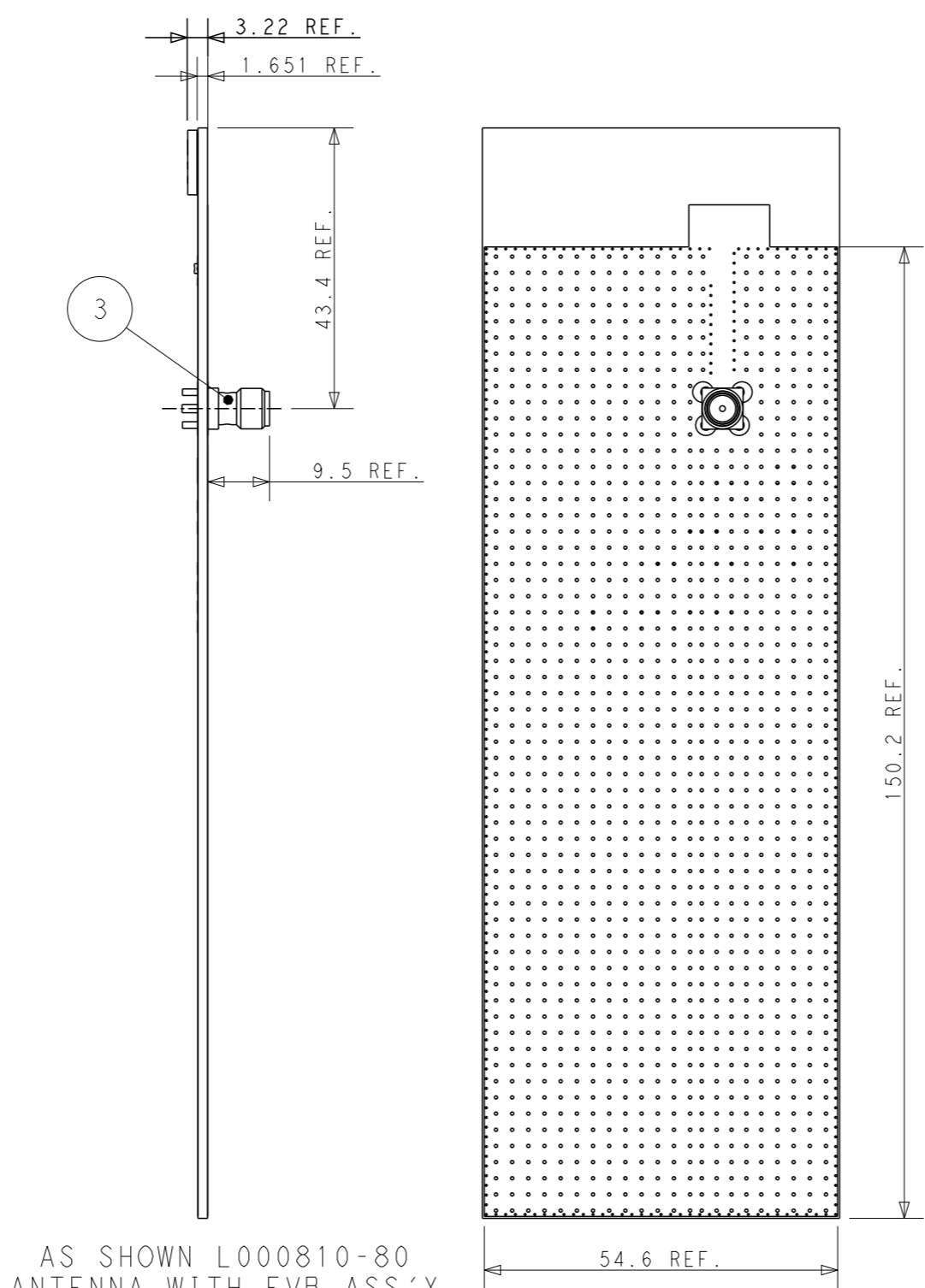
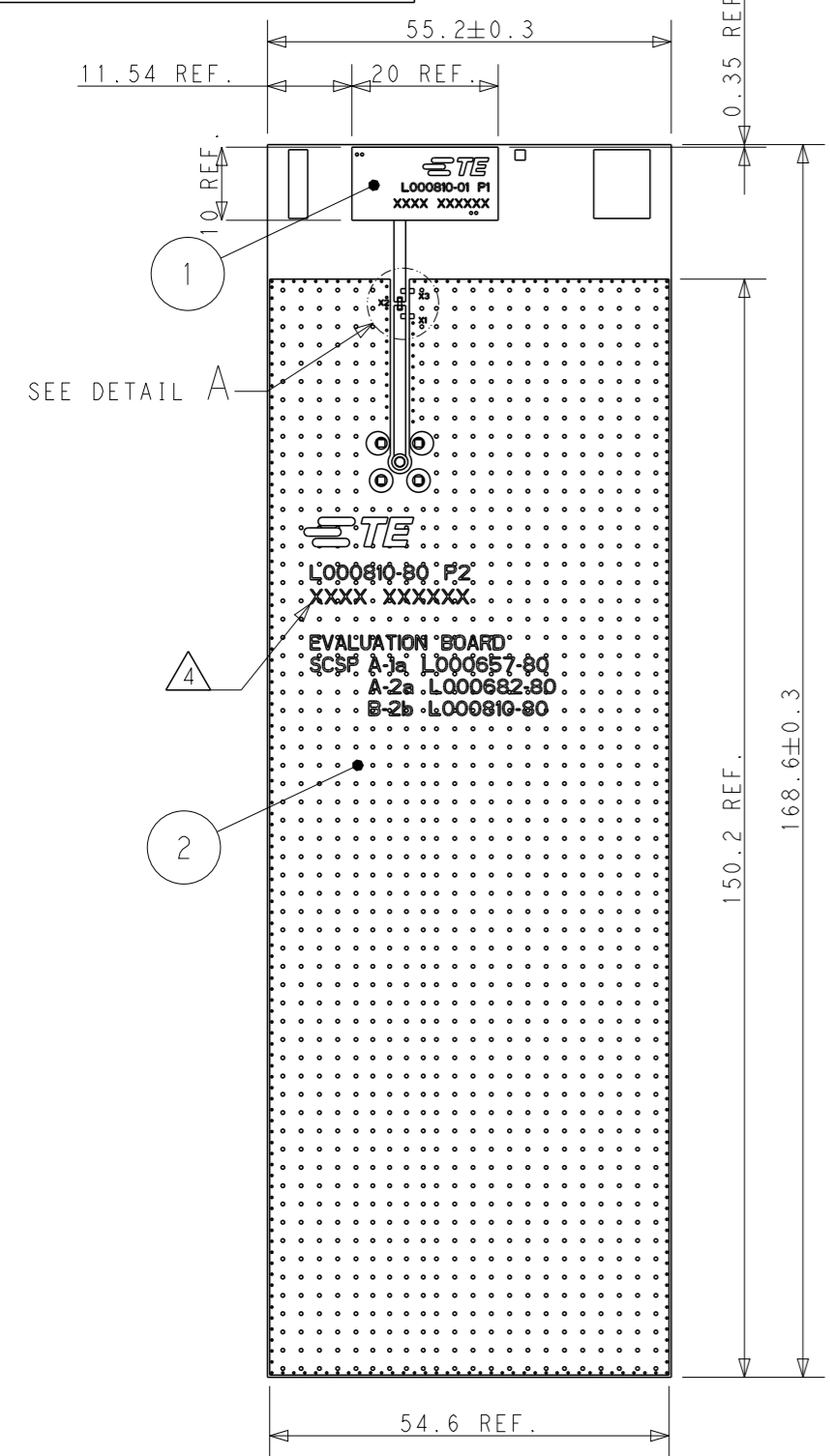
- UNLESS OTHERWISE SPECIFIED TOLERANCE PER EIA-481-D
- ORIENT PARTS AS SHOWN.
- MATERIAL : P.S 0.4mm THICKNESS, COLOR : BLACK, CONDUCTIVE WHEN ALTERNATIVE MATERIAL (PET, P.P) USE, CONSULT ECO PRIOR TO MANUFACTURER.

USER DIRECTION  
OF UNREELING

AS SHOWN L000810-01  
ANTENNA WITH REEL PACKAGING  
REFERENCE ONLY

THIS DRAWING IS A CONTROLLED DOCUMENT.		DWN DW.PARK	10AUG2023	TE Connectivity NAME SPLATCH CBRS/5G MIDBAND CHIP ANT 2.5-5G -	
DIMENSIONS: mm		CHK SJ.NOH	10AUG2023		
TOLERANCES UNLESS OTHERWISE SPECIFIED: 0 PLC ±- 1 PLC ±- 2 PLC ±- 3 PLC ±- 4 PLC ±- ANGLES ±-		APVD JH.KIM	10AUG2023		
		PRODUCT SPEC 108-61420			
MATERIAL SEE NOTE2		APPLICATION SPEC -		SIZE A3	CAGE CODE 00779
-		FINISH -		DRAWING NO C=L000810	
-		WEIGHT -		RESTRICTED TO -	
CUSTOMER DRAWING				SCALE 2:1	SHEET 2 OF 3
				REV A2	

P	LTR	DESCRIPTION	DATE	DWN	APVD
		SEE SHEET 1			



AS SHOWN L000810-80  
ANTENNA WITH EVB ASS'Y

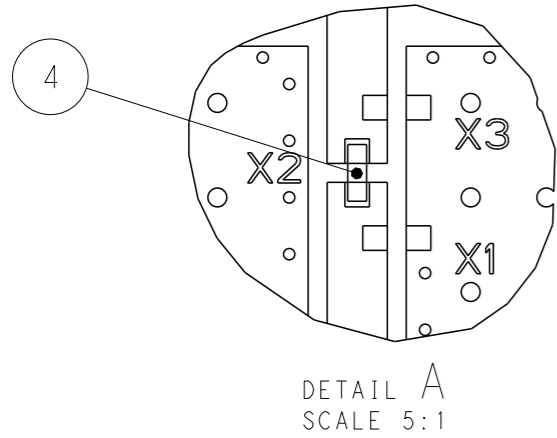
NOTES: UNLESS OTHERWISE SPECIFIED.

- FABRICATE TO MEET IPC - 6012, CLASS 2. INSPECT TO MEET IPC - A - 600, CLASS 2.
- MATERIAL: SEE TABLE
- FINISH: EVB ASSEMBLY WITH SOLDER PROCESS

- 4 SILKSCREEN; WHITE EPOXY INK  
 A. TE LOGO, TE P/N  
 B. WORD REV., FOLLOWED BY THE LATEST REVISION LETTER, AS SHOWN.  
 C. 4 DIGIT DATE CODE: FIRST 2 DIGITS FOR THE WEEK CODE AND THE 2ND TWO DIGITS FOR THE YEAR CODE.  
 OTHERS: SPECIFIC TE SOURCE CODE NUMBER DIGITS AS REQUIRED

- CONSULT TE CONNECTIVITY DATA SHEET L000810
- CONTACT TE CONNECTIVITY ENGINEERING PRIOR TO DESIGNING INTO AN APPLICATION.
- PACKAGING : SECURELY VACUUM PACKAGED IN BULK

I	RESISTOR (0ohm)	4
I	SMA PCB VERT JACK	3
I	EVALUATION BOARD	2
I	PCB ANTENNA	1
QTY	DESCRIPTION	ITEM



THIS DRAWING IS A CONTROLLED DOCUMENT.		DWN DW.PARK 10AUG2023	TE Connectivity NAME SPLATCH CBRS/5G MIDBAND CHIP ANT 2.5-5G -				
DIMENSIONS: mm		CHK SJ.NOH 10AUG2023					
TOLERANCES UNLESS OTHERWISE SPECIFIED:		APVD JH.KIM 10AUG2023					
0 PLC ±- 1 PLC ±- 2 PLC ±- 3 PLC ±- 4 PLC ±- ANGLES ±-		PRODUCT SPEC 108-61420					
MATERIAL SEE NOTE 2		APPLICATION SPEC -	SIZE A3	CAGE CODE 00779	DRAWING NO C=L000810	RESTRICTED TO -	
		WEIGHT -	CUSTOMER DRAWING		SCALE 1:1	SHEET 3 OF 3	REV A2