

OSRAM KW EELP41.RU

Datasheet

Published by **ams-OSRAM AG**

Tobelbader Strasse 30, 8141 Premstaetten, Austria

Phone +43 3136 500-0

ams-osram.com

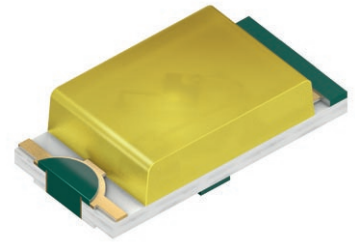
© All rights reserved



SMARTLED® 0603

KW EELP41.RU

The SMARTLED® 0603 is the product of choice for status indication any symbol backlighting in electronics. The small package size allows compact designs. The improved corrosion robustness and increased junction temperature range makes the devices from this series suitable for professional industrial equipment and applications.



Applications

- Appliances & Tools
- Display Backlighting
- Factory Automation
- Home & Building Automation
- Projection & Display
- Static Signaling
- Transportation

Features

- Package: SMT package 0603, colored diffused resin
- Chip technology: Volume emitter on Sapphire (AlInGaN)
- Typ. Radiation: 130° (horizontal = 0°), 150° (vertical = 90°)
- Color: Cx = 0.3, Cy = 0.29 acc. to CIE 1931 (● white)
- Corrosion Robustness Class: 3B
- ESD: 8 kV acc. to ANSI/ESDA/JEDEC JS-001 (HBM, Class 3B)

Ordering Information

| Type | Luminous Intensity ¹⁾ $I_F = 5 \text{ mA}$ I_v | Ordering Code |
|-----------------------------|---|---------------|
| KW EELP41.RU-S1U1-3K6L-3X4X | $\geq 180 \text{ mcd}$ | Q65113A7470 |

Maximum Ratings

| Parameter | Symbol | | Values |
|---|----------------|------|--------|
| Operating Temperature | T_{op} | min. | -40 °C |
| | | max. | 105 °C |
| Storage Temperature | T_{stg} | min. | -40 °C |
| | | max. | 105 °C |
| Junction Temperature | T_j | max. | 110 °C |
| Forward current $T_s = 25\text{ °C}$ | I_F | min. | 0.5 mA |
| | | max. | 25 mA |
| Forward Current pulsed $D = 0.05 ; T_s = 25\text{ °C}$ | $I_{F\ pulse}$ | max. | 100 mA |
| Surge Current $t \leq 10\ \mu s ; D = 0.05 ; T_s = 25\text{ °C}$ | I_{FS} | max. | 250 mA |
| ESD withstand voltage acc. to ANSI/ESDA/JEDEC JS-001 (HBM, Class 3B) | V_{ESD} | | 8 kV |
| Reverse current ²⁾ | I_R | max. | 20 mA |

Characteristics

$I_F = 5 \text{ mA}$; $T_S = 25 \text{ °C}$

| Parameter | Symbol | | Values |
|--|------------------------|------|-----------|
| Chromaticity Coordinate ³⁾ | Cx | typ. | 0.3 |
| | Cy | typ. | 0.29 |
| Viewing angle at 50% I_V values for 0°, 90° | 2φ | typ. | 130 ° |
| | | | 150 ° |
| Forward Voltage ⁴⁾ $I_F = 5 \text{ mA}$ | V_F | min. | 2.60 V |
| | | typ. | 2.75 V |
| | | max. | 3.00 V |
| Reverse voltage (ESD device) | $V_{R\text{ESD}}$ | min. | 7 V |
| Reverse voltage ²⁾ $I_R = 20 \text{ mA}$ | V_R | max. | 1.2 V |
| Real thermal resistance junction/solderpoint ⁵⁾ | $R_{\text{thJS real}}$ | typ. | 440 K / W |
| | | max. | 540 K / W |

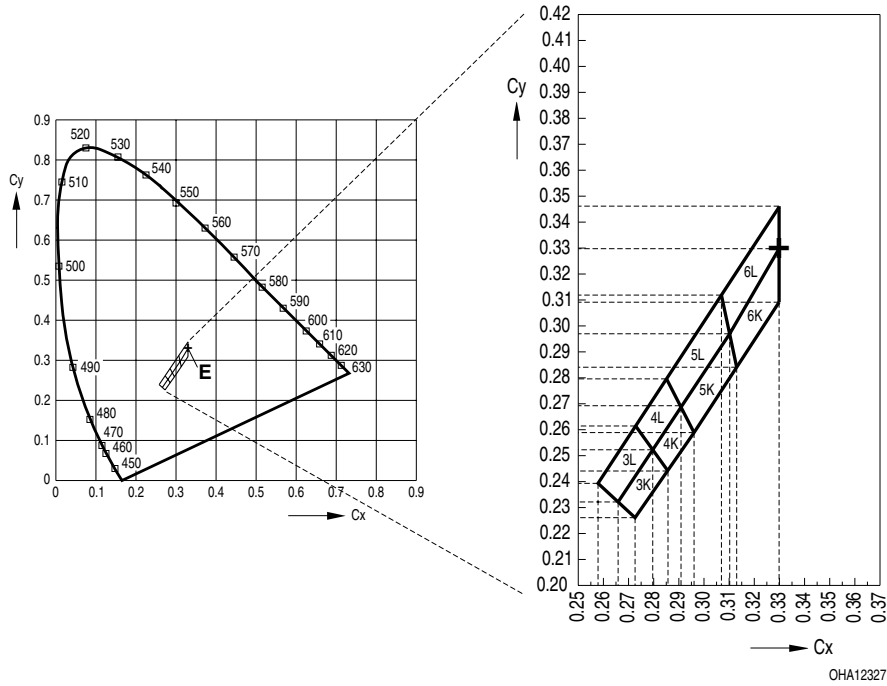
Brightness Groups

| Group | Luminous Intensity ¹⁾ $I_F = 5 \text{ mA}$ min. I_v | Luminous Intensity. ¹⁾ $I_F = 5 \text{ mA}$ max. I_v | Luminous Flux ⁶⁾ $I_F = 5 \text{ mA}$ typ. Φ_v |
|-------|---|--|---|
| S1 | 180 mcd | 224 mcd | 810 mlm |
| S2 | 224 mcd | 280 mcd | 1010 mlm |
| T1 | 280 mcd | 355 mcd | 1270 mlm |
| T2 | 355 mcd | 450 mcd | 1610 mlm |
| U1 | 450 mcd | 560 mcd | 2020 mlm |

Forward Voltage Groups

| Group | Forward Voltage ⁴⁾ $I_F = 5 \text{ mA}$ min. V_F | Forward Voltage ⁴⁾ $I_F = 5 \text{ mA}$ max. V_F |
|-------|--|--|
| 3X | 2.60 V | 2.70 V |
| 3Y | 2.70 V | 2.80 V |
| 3Z | 2.80 V | 2.90 V |
| 4X | 2.90 V | 3.00 V |

Chromaticity Coordinate Groups



Chromaticity Coordinate Groups ³⁾

| Group | Cx | Cy | Group | Cx | Cy | Group | Cx | Cy |
|-------|--------|--------|-------|--------|--------|-------|--------|--------|
| 3K | 0.2730 | 0.2270 | 4L | 0.2800 | 0.2520 | 6K | 0.3130 | 0.2840 |
| | 0.2660 | 0.2320 | | 0.2730 | 0.2610 | | 0.3100 | 0.2970 |
| | 0.2800 | 0.2520 | | 0.2850 | 0.2790 | | 0.3300 | 0.3300 |
| | 0.2860 | 0.2440 | | 0.2910 | 0.2680 | | 0.3300 | 0.3100 |
| 3L | 0.2660 | 0.2320 | 5K | 0.2960 | 0.2590 | 6L | 0.3100 | 0.2970 |
| | 0.2580 | 0.2390 | | 0.2910 | 0.2680 | | 0.3070 | 0.3120 |
| | 0.2730 | 0.2610 | | 0.3100 | 0.2970 | | 0.3300 | 0.3470 |
| | 0.2800 | 0.2520 | | 0.3130 | 0.2840 | | 0.3300 | 0.3300 |
| 4K | 0.2860 | 0.2440 | 5L | 0.2910 | 0.2680 | | | |
| | 0.2800 | 0.2520 | | 0.2850 | 0.2790 | | | |
| | 0.2910 | 0.2680 | | 0.3070 | 0.3120 | | | |
| | 0.2960 | 0.2590 | | 0.3100 | 0.2970 | | | |

Group Name on Label

Example: S1-3K-3X

Brightness

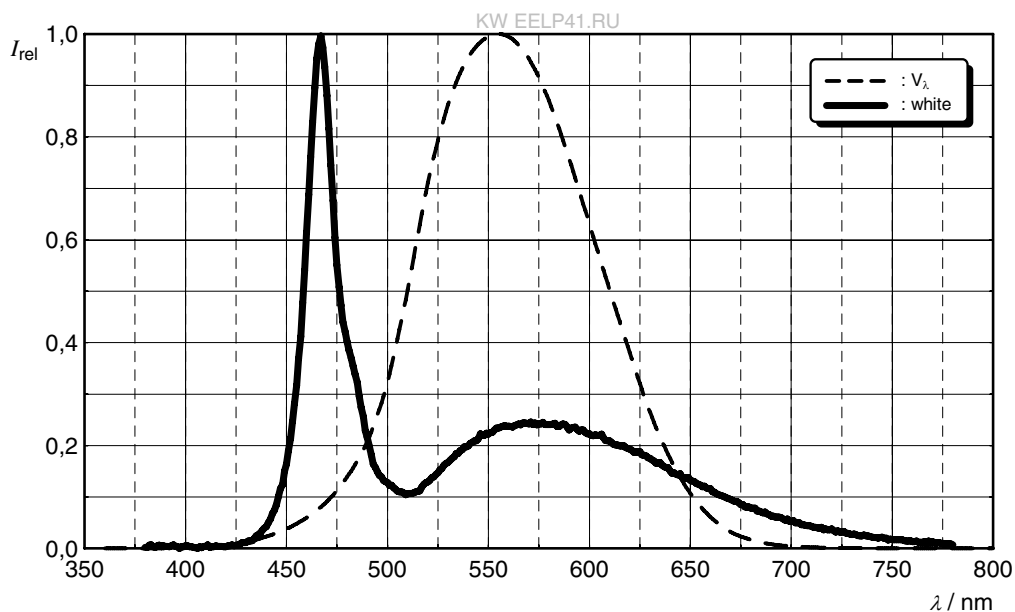
Color Chromaticity

Forward Voltage

| | | |
|----|----|----|
| S1 | 3K | 3X |
|----|----|----|

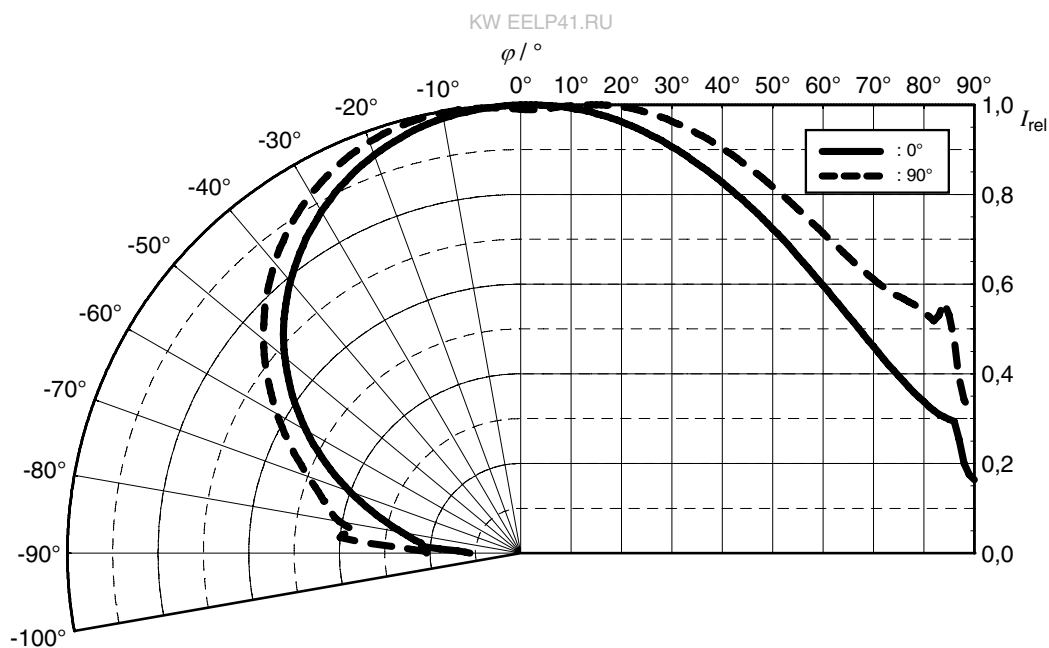
Relative Spectral Emission ⁶⁾

$I_{rel} = f(\lambda)$; $I_F = 5 \text{ mA}$; $T_S = 25 \text{ }^\circ\text{C}$



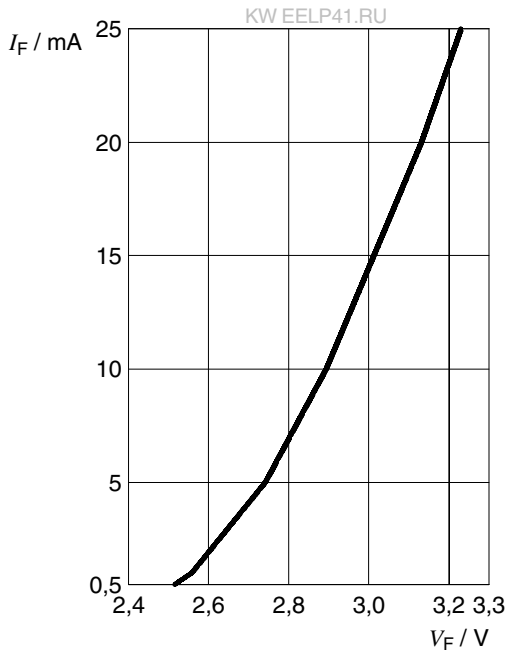
Radiation Characteristics ⁶⁾

$I_{rel} = f(\varphi)$; $T_S = 25 \text{ }^\circ\text{C}$



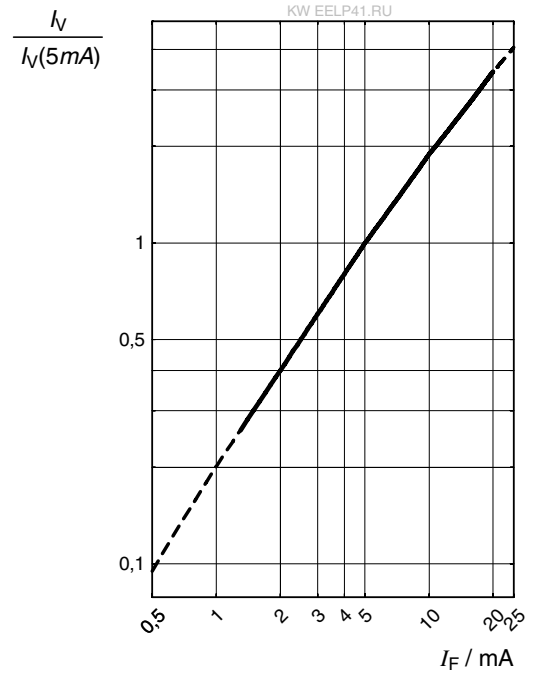
Forward current ⁶⁾

$I_F = f(V_F); T_s = 25\text{ °C}$



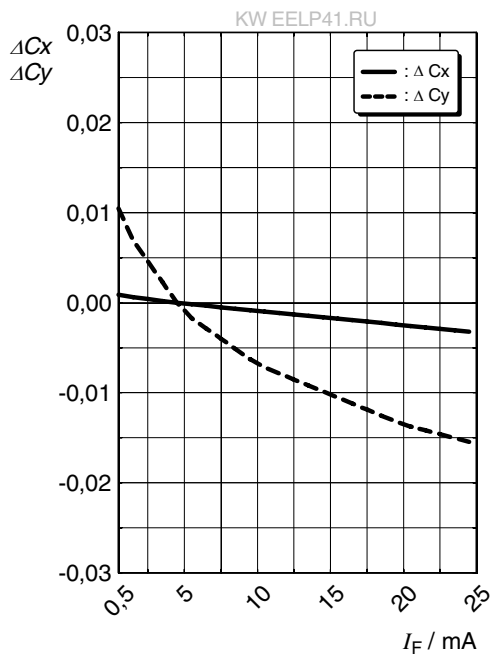
Relative Luminous Intensity ^{6), 7)}

$I_V/I_V(5\text{ mA}) = f(I_F); T_s = 25\text{ °C}$



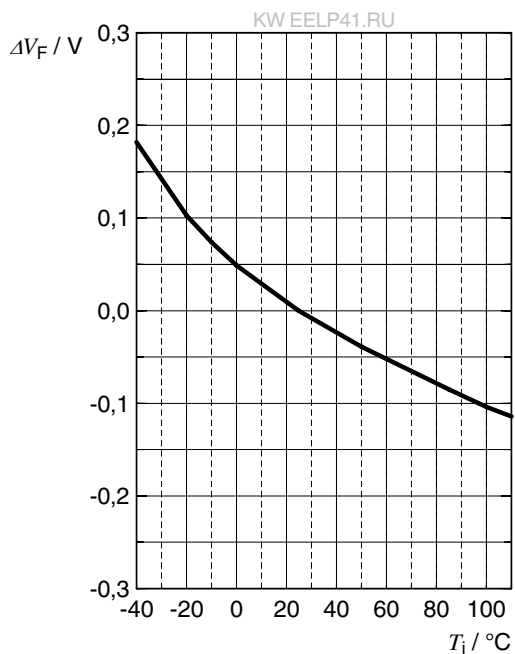
Chromaticity Coordinate Shift ⁶⁾

$\Delta C_x, \Delta C_y = f(I_F); T_s = 25\text{ °C}$



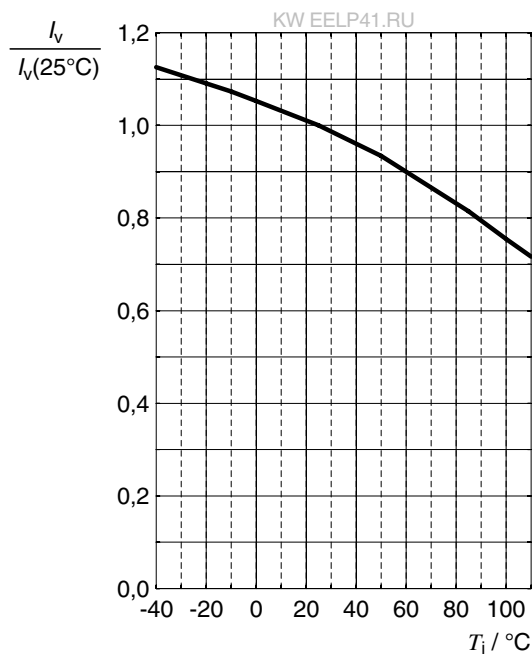
Forward Voltage ⁶⁾

$$\Delta V_F = V_F - V_F(25\text{ °C}) = f(T_j); I_F = 5\text{ mA}$$



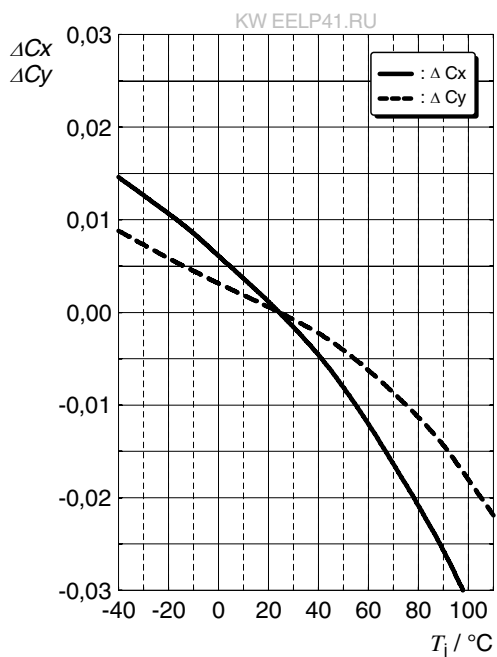
Relative Luminous Intensity ⁶⁾

$$I_V / I_V(25\text{ °C}) = f(T_j); I_F = 5\text{ mA}$$



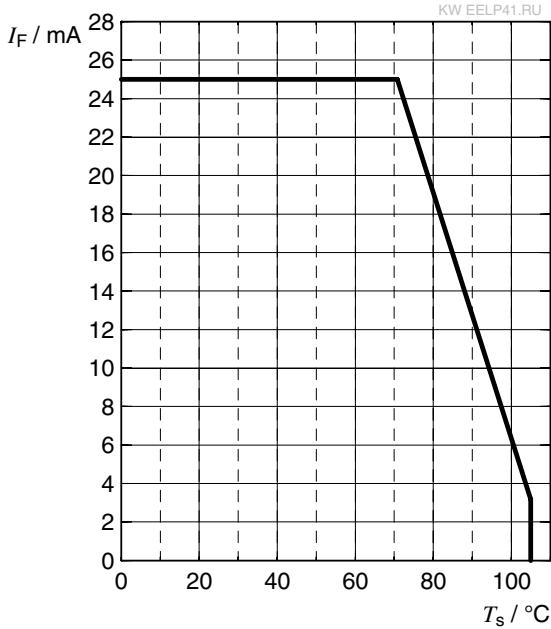
Chromaticity Coordinate Shift ⁶⁾

$$\Delta C_x, \Delta C_y = f(T_j); I_F = 5\text{ mA}$$



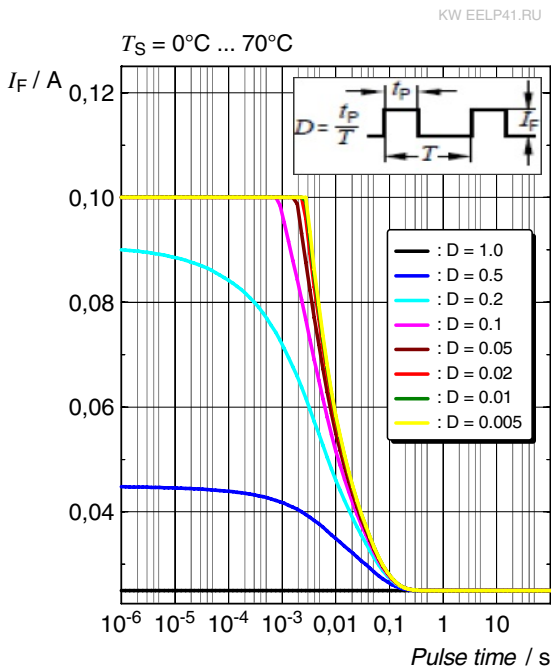
Max. Permissible Forward Current ⁵⁾

$I_F = f(T)$



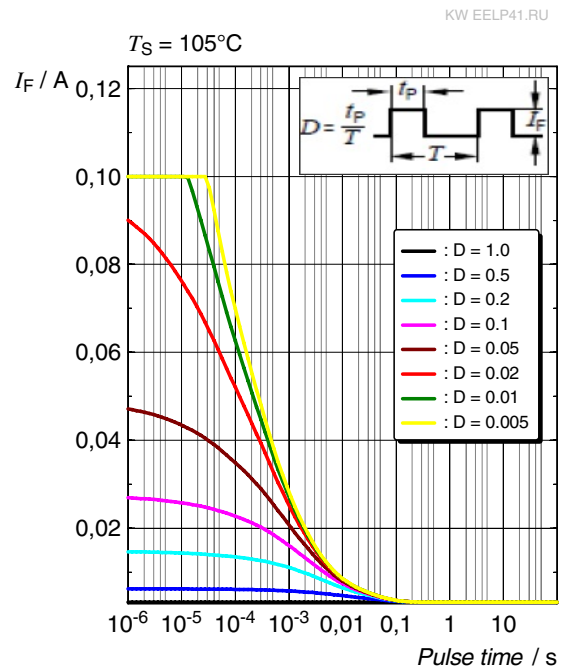
Permissible Pulse Handling Capability

$I_F = f(t_p)$; D: Duty cycle; $T_s = 25\text{ °C}$

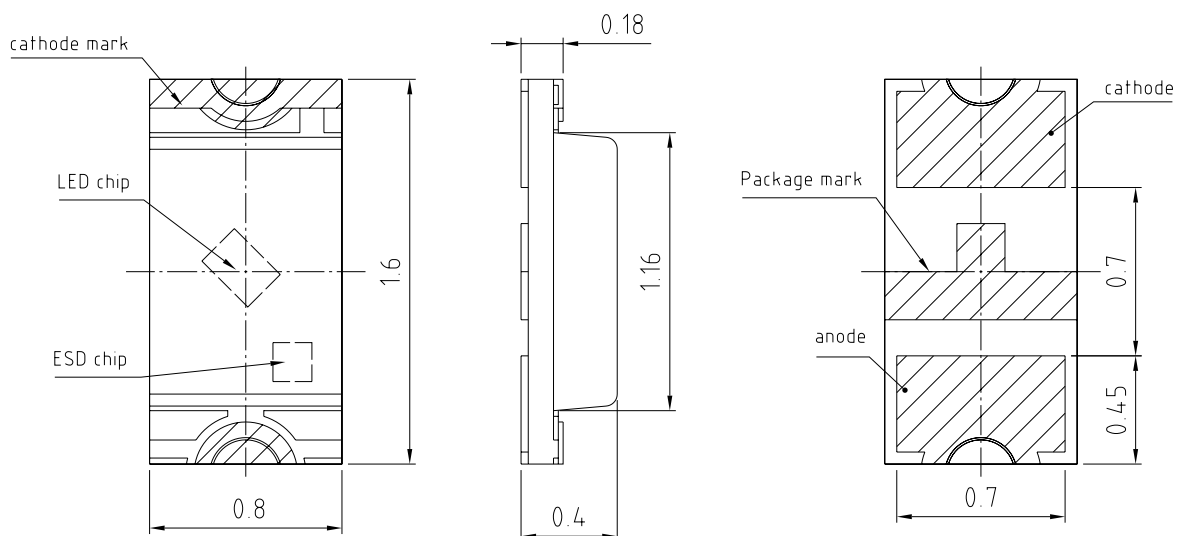


Permissible Pulse Handling Capability

$I_F = f(t_p)$; D: Duty cycle; $T_s = 85\text{ °C}$



Dimensional Drawing ⁸⁾



general tolerance ± 0.1

lead finish Au 

C67062-A0484-A1-03

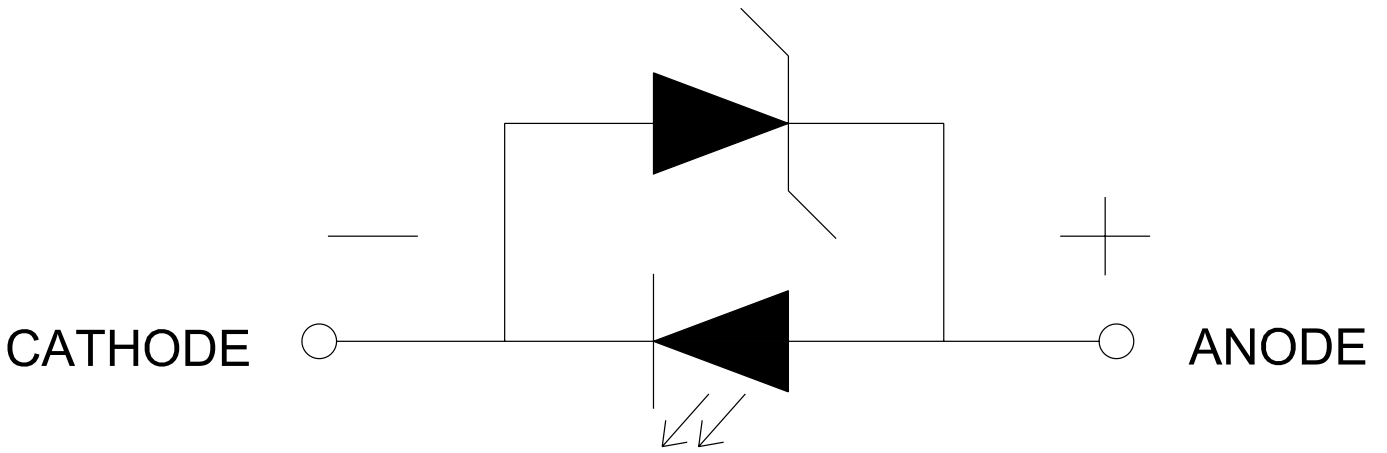
Further Information:

Approximate Weight: 1.3 mg

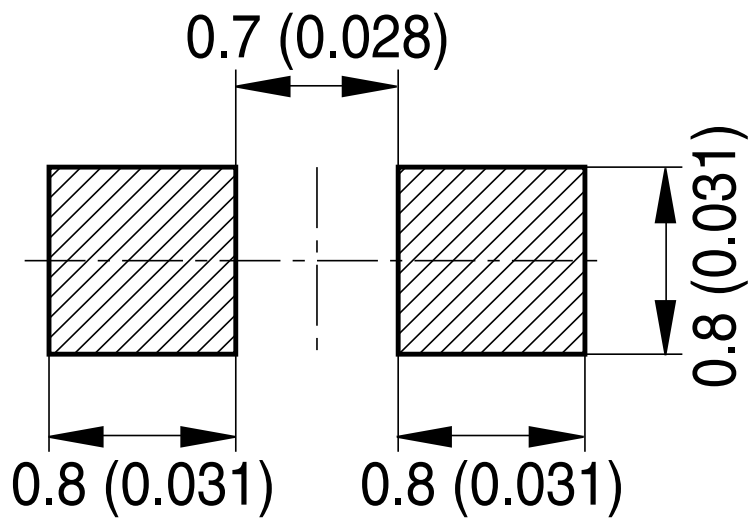
Corrosion test: Class: 3B
Test condition: 40°C / 90 % RH / 15 ppm H₂S / 14 days (stricter than IEC 60068-2-43)

ESD advice: The device is protected by ESD device which is connected in parallel to the Chip.

Electrical Internal Circuit



Recommended Solder Pad ⁸⁾

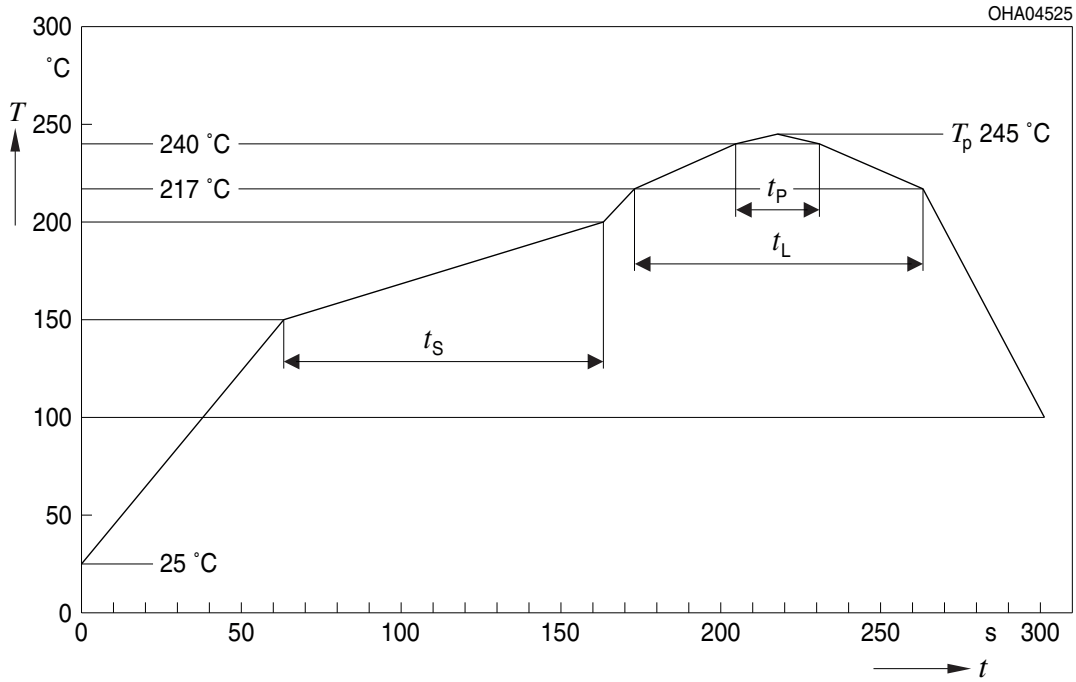


OHAPY606

For superior solder joint connectivity results we recommend soldering under standard nitrogen atmosphere. Package not suitable for ultra sonic cleaning.

Reflow Soldering Profile

Product complies to MSL Level 2 acc. to JEDEC J-STD-020E

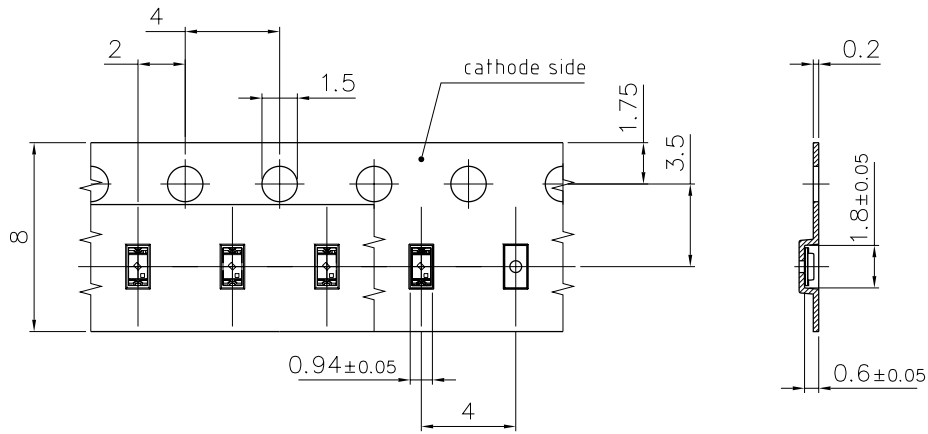


| Profile Feature | Symbol | Pb-Free (SnAgCu) Assembly | | | Unit |
|--|--------|---------------------------|----------------|---------|------|
| | | Minimum | Recommendation | Maximum | |
| Ramp-up rate to preheat ^{*)} 25 °C to 150 °C | | | 2 | 3 | K/s |
| Time t_s T_{Smin} to T_{Smax} | t_s | 60 | 100 | 120 | s |
| Ramp-up rate to peak ^{*)} T_{Smax} to T_p | | | 2 | 3 | K/s |
| Liquidus temperature | T_L | | 217 | | °C |
| Time above liquidus temperature | t_L | | 80 | 100 | s |
| Peak temperature | T_p | | 245 | 260 | °C |
| Time within 5 °C of the specified peak temperature $T_p - 5$ K | t_p | 10 | 20 | 30 | s |
| Ramp-down rate* T_p to 100 °C | | | 3 | 6 | K/s |
| Time 25 °C to T_p | | | | 480 | s |

All temperatures refer to the center of the package, measured on the top of the component

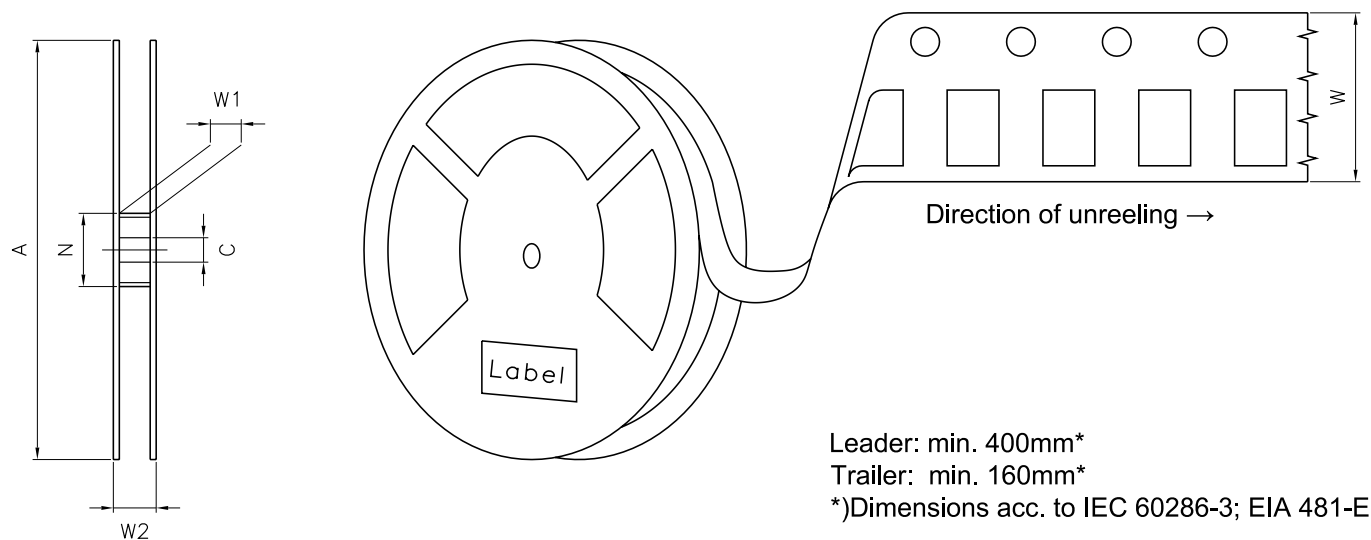
* slope calculation DT/Dt : Dt max. 5 s; fulfillment for the whole T-range

Taping ⁸⁾



C67062-A0484-B1-01

Tape and Reel ⁹⁾



Reel Dimensions

| A | W | N_{\min} | W_1 | $W_{2\max}$ | Pieces per PU |
|--------|----------------------|------------|--------------|-------------|---------------|
| 180 mm | $8 + 0.3 / - 0.1$ mm | 60 mm | $8.4 + 2$ mm | 14.4 mm | 4000 |

Barcode-Product-Label (BPL)

OSRAM LX XXXX BIN1: XX-XX-X-XXX-X

RoHS Compliant

(6P) BATCH NO: 1234567890

(1T) LOT NO: 1234567890 (9D) D/C: 1234

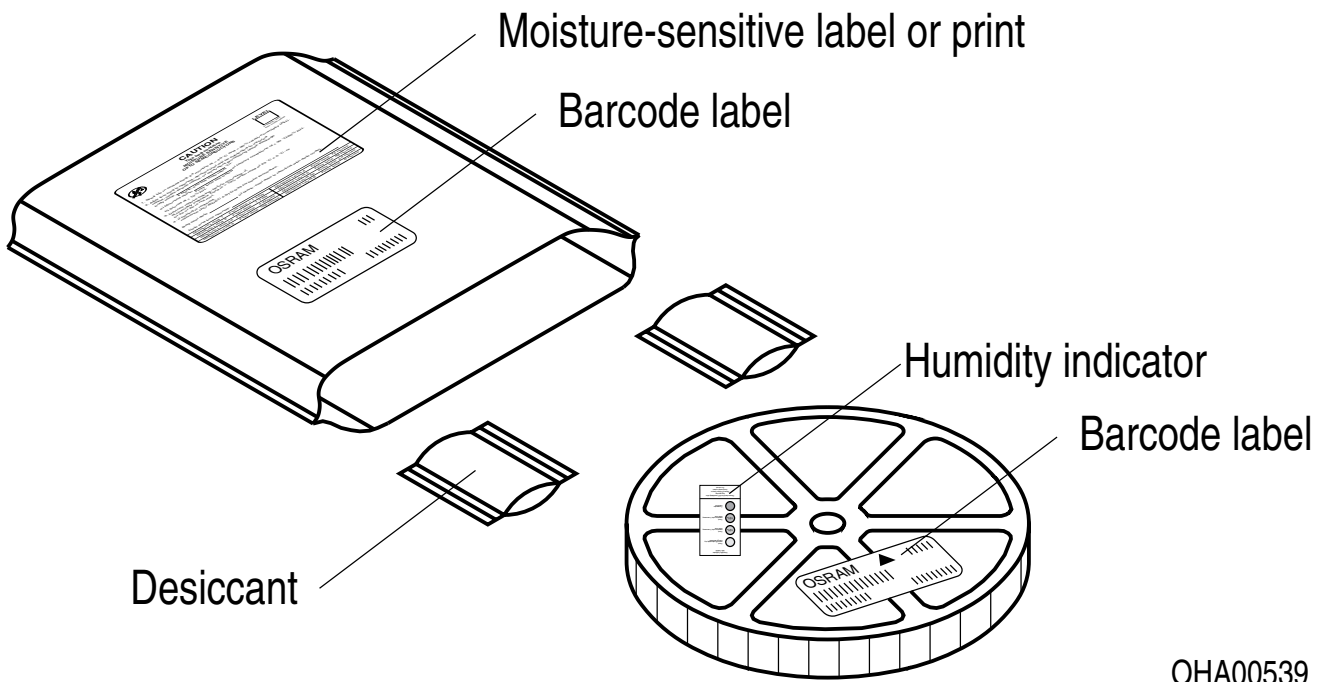
(X) PROD NO: 123456789 (Q) QTY: 9999 (G) GROUP: XX-XX-X-X

ML Temp ST
X XXX °C X

Pack: RXX
DEMY XXX
X_X123_1234.1234 X

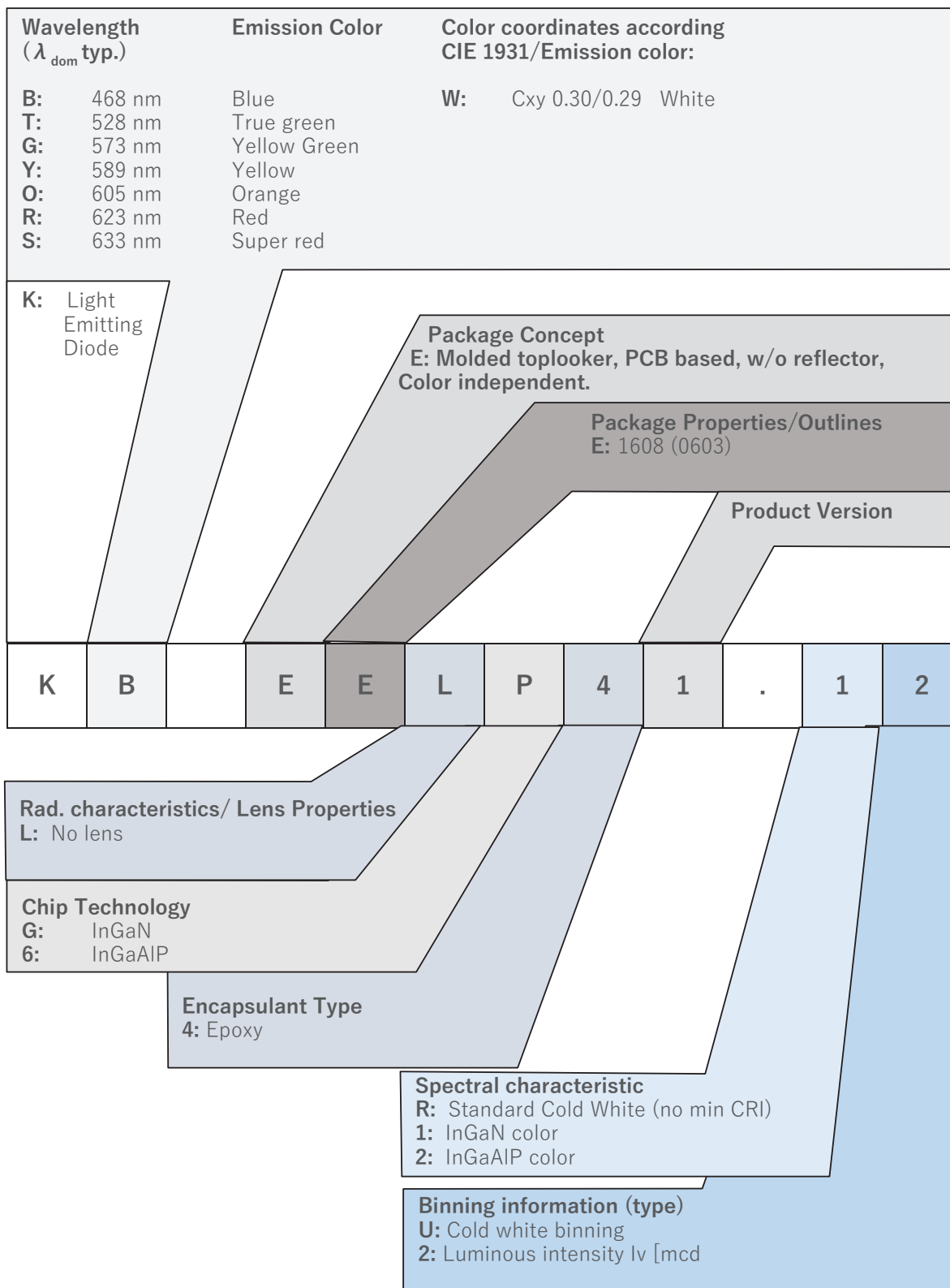
OHA04563

Dry Packing Process and Materials ⁸⁾



Moisture-sensitive product is packed in a dry bag containing desiccant and a humidity card according JEDEC-STD-033.

Type Designation System



Notes

The evaluation of eye safety occurs according to the standard IEC 62471:2006 (photo biological safety of lamps and lamp systems). Within the risk grouping system of this IEC standard, the device specified in this data sheet fall into the class **low risk (exposure time 100 s)**. Under real circumstances (for exposure time, conditions of the eye pupils, observation distance), it is assumed that no endangerment to the eye exists from these devices. As a matter of principle, however, it should be mentioned that intense light sources have a high secondary exposure potential due to their blinding effect. When looking at bright light sources (e.g. headlights), temporary reduction in visual acuity and afterimages can occur, leading to irritation, annoyance, visual impairment, and even accidents, depending on the situation.

Subcomponents of this device contain, in addition to other substances, metal filled materials including silver. Metal filled materials can be affected by environments that contain traces of aggressive substances. Therefore, we recommend that customers minimize device exposure to aggressive substances during storage, production, and use. Devices that showed visible discoloration when tested using the described tests above did show no performance deviations within failure limits during the stated test duration. Respective failure limits are described in the IEC60810.

Based on very short life cycle times in chip technology this component is subject to frequent adaption to the latest chip technology.

For further application related information please visit <https://ams-osram.com/support/application-notes>

Disclaimer

Attention please!

The information describes the type of component and shall not be considered as assured characteristics. Terms of delivery and rights to change design reserved. Due to technical requirements components may contain dangerous substances.

For information on the types in question please contact our Sales Organization.

If printed or downloaded, please find the latest version on our website.

Packing

Please use the recycling operators known to you. We can also help you – get in touch with your nearest sales office. By agreement we will take packing material back, if it is sorted. You must bear the costs of transport. For packing material that is returned to us unsorted or which we are not obliged to accept, we shall have to invoice you for any costs incurred.

Product and functional safety devices/applications or medical devices/applications

Our components are not developed, constructed or tested for the application as safety relevant component or for the application in medical devices.

Our products are not qualified at module and system level for such application.

In case buyer – or customer supplied by buyer – considers using our components in product safety devices/ applications or medical devices/applications, buyer and/or customer has to inform our local sales partner immediately and we and buyer and /or customer will analyze and coordinate the customer-specific request between us and buyer and/or customer.

Glossary

- 1) **Brightness:** Brightness groups are tested at a current pulse duration of 25 ms and a tolerance of $\pm 11\%$.
- 2) **Reverse Operation:** This product is intended to be operated applying a forward current within the specified range. Applying any continuous reverse bias or forward bias below the voltage range of light emission shall be avoided because it may cause migration which can change the electro-optical characteristics or damage the LED.
- 3) **Chromaticity coordinate groups:** Chromaticity coordinate groups are tested at a current pulse duration of 25 ms and a tolerance of ± 0.01 .
- 4) **Forward Voltage:** Forward voltages are tested at a current pulse duration of 1 ms and a tolerance of ± 0.1 V.
- 5) **Thermal Resistance:** $R_{th\ max}$ is based on statistic values (6σ) used for Derating.
- 6) **Typical Values:** Due to the special conditions of the manufacturing processes of semiconductor devices, the typical data or calculated correlations of technical parameters can only reflect statistical figures. These do not necessarily correspond to the actual parameters of each single product, which could differ from the typical data and calculated correlations or the typical characteristic line. If requested, e.g. because of technical improvements, these typ. data will be changed without any further notice.
- 7) **Characteristic curve:** In the range where the line of the graph is broken, you must expect higher differences between single devices within one packing unit.
- 8) **Tolerance of Measure:** Unless otherwise noted in drawing, tolerances are specified with ± 0.1 and dimensions are specified in mm.
- 9) **Tape and Reel:** All dimensions and tolerances are specified acc. IEC 60286-3 and specified in mm.

Revision History

| Version | Date | Change |
|---------|------------|-----------------|
| 1.0 | 2024-03-22 | Initial Version |
| 1.1 | 2024-07-01 | Notes |



EU RoHS and China RoHS compliant product

此产品符合欧盟 RoHS 指令的要求；
按照中国的相关法规和标准，
不含有毒有害物质或元素。

Published by ams-OSRAM AG

Tobelbader Strasse 30, 8141 Premstaetten, Austria

Phone +43 3136 500-0

ams-osram.com

© All rights reserved

am 

OSRAM