

Customer Part:
Description

- 1.6 x 1.0mm SMD crystal in a hermetically sealed ceramic package with low ESR.
- Model IQXC-229LR
- Model Issue number 2

Frequency Parameters

- Frequency 32.7680kHz
- Frequency Tolerance $\pm 15.00\text{ppm}$
- Tolerance Condition @ 25°C
- Operating Temperature Range -40.00 to 105.00°C
- Overtone Order Fundamental
- Ageing $\pm 3\text{ppm}$ max in first year @ 25°C
- Turnover Temperature: 25°C $\pm 5^\circ\text{C}$
- Frequency Stability Coefficient: $-0.03\text{ppm} \pm 0.01\text{ppm}/^\circ\text{C}^2$

Electrical Parameters

- Load Capacitance (CL) 5.00pF
- Shunt Capacitance (C0) 1.8pF max
- Drive Level 0.5 μW max
- ESR 70.00k Ω max
- Shunt Capacitance (C0): 1.5pF typ
- Motional Capacitance (C1): 7.5fF typ
- ESR: 60K Ohms max @ +25°C
- ESR: 70K Ohms max over -40 to +85°C
- ESR: 75K Ohms max over -40 to +105°C

Environmental Parameters

- Storage Temperature Range: -55 to 125°C
- Shock (JIS-C-60068-2-27): accelerate at 1000g, 1ms pulse duration, applied 3 times in each of the 3 perpendicular axes.
- Vibration (JIS-C-60068-2-6): sweep frequency from 10Hz to 55Hz and return to 10Hz in 1 minute at 1.5mm amplitude, 2 hours in each of the 3 perpendicular axes.

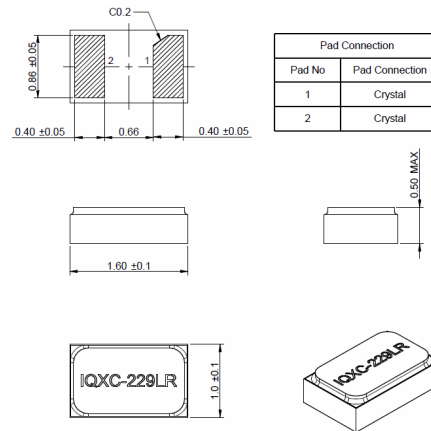
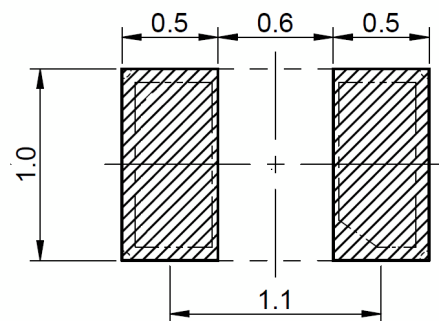
Compliance

- RoHS Status (2015/863/EU) Compliant
- REACH Status Compliant
- MSL Rating (JDEC-STD-033): 1

Packaging Details

- Tape & reel in accordance with EIA-481
- Quantities below the standard reel size to be supplied on cut tape.

Standard Pack Quantity: 5,000


Outline (mm)

Recommended Solder Pad Layout

Sales Office Contact Details:

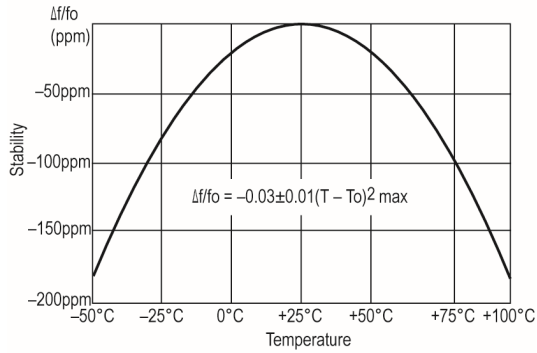
UK: +44 (0)1460 270200

 Email: info@iqdfrequencyproducts.com

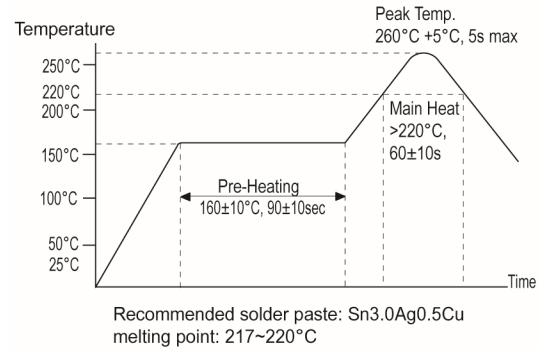
 Web: www.iqdfrequencyproducts.com

Customer Part:

Typical Frequency Stability Characteristics



Reflow Solder Profile



Sales Office Contact Details:

UK: +44 (0)1460 270200

Email: info@iqdfrequencyproducts.com

Web: www.iqdfrequencyproducts.com