

EV Charging Cable

multicomp PRO

**RoHS
Compliant**



Specification

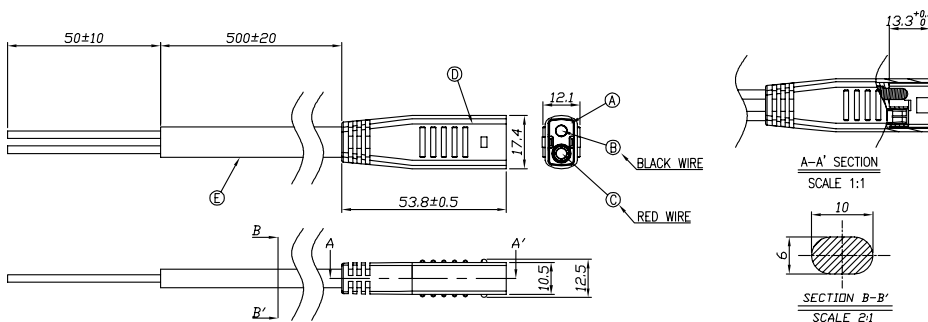
Electrical Characteristics

Rating : 36V DC 25A
 Contact Resistance : 0.5mΩ max. (Initial Pre Pin)
 Contact Resistance (With Wire) : 10mΩ max. (Initial)

Mechanical Characteristics

Insertion Force : 3 ±2kgf max. (Initial)
 Withdrawal Force : 0.5 kgf min. (Initial)
 Life Test : 3000 Cycles Min.
 Waterproof Rate : IPX5

Diagram



Item	Description	Material	Plating & Colour	Qty.
A	Housing	Thermoplastic 94-V0	Black	1
B	Male Pin	Brass	3μ" Gold Plated Over Nickel Plating	
C	Female Pin			
D	Over Mold	PVC	Black	
E	Cable	UL1015 #14 AWG ×2C (1. Black 2. Red)		

Tolerance	
Decimals	Angles
X : ±0.5	X : ±0.2°
X.X : ±0.3	X.X : ±0.1°
X.XX : ±0.2	

Dimensions : Millimetres

Part Number Table

Description	Part Number
EV Charging Cable, 25A, IPX5	MP013739

Important Notice : This data sheet and its contents (the "Information") belong to the members of the AVNET group of companies (the "Group") or are licensed to it. No licence is granted for the use of it other than for information purposes in connection with the products to which it relates. No licence of any intellectual property rights is granted. The Information is subject to change without notice and replaces all data sheets previously supplied. The Information supplied is believed to be accurate but the Group assumes no responsibility for its accuracy or completeness, any error in or omission from it or for any use made of it. Users of this data sheet should check for themselves the Information and the suitability of the products for their purpose and not make any assumptions based on information included or omitted. Liability for loss or damage resulting from any reliance on the Information or use of it (including liability resulting from negligence or where the Group was aware of the possibility of such loss or damage arising) is excluded. This will not operate to limit or restrict the Group's liability for death or personal injury resulting from its negligence. Multicomp Pro is the registered trademark of Premier Farnell Limited 2019.

Newark.com/multicomp-pro
 Farnell.com/multicomp-pro
 sg.element14.com/b/multicomp-pro

multicomp PRO