

**LOCK SWITCH**

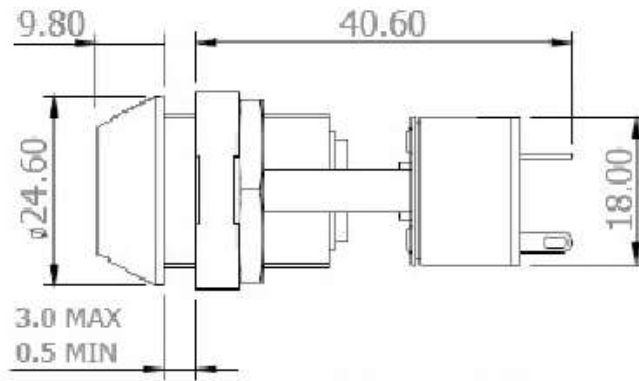
**DBSL LOCK SWITCH** Switch module ENEC approved to EN61058-1

**ELECTRICAL & MECHANICAL SPECIFICATION**

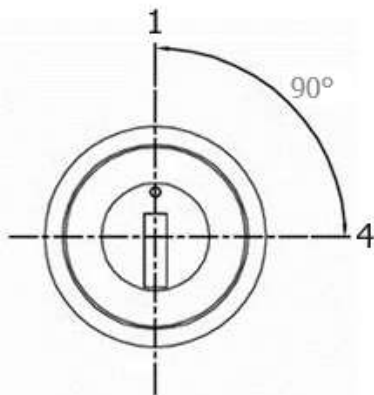
<b>Switch Rating:</b>	4/80A @250V ac R.C.	<b>Life:</b>	>15,000 Cycles
<b>Proof Voltage:</b>	3kV min (Initial)	<b>Operating Temperature:</b>	-25°C to +85°C
<b>Insulation Resistance:</b>	>999MΩ @ 500V dc (Initial)	<b>Lock Type:</b>	7 Disc
<b>Contact Resistance:</b>	<20mΩ (Initial)	<b>Lock Housing:</b>	Zinc Alloy, stainless steel bezel
<b>Contact Material:</b>	Brass CZ108, Ag Plated	<b>Switch Housing:</b>	Polyamide 6.6 G.F. V0 Rated
<b>Switch Contacts:</b>	Silver Tin		

**FEATURES**

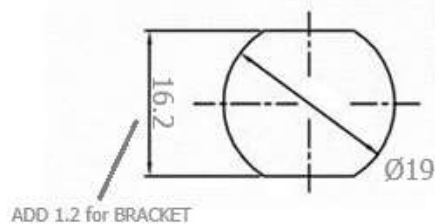
Double Pole Switch	Dimpled keys – dimpled 7 pin lock	Key inserted / removed either way up
Common or differ keys	2 Keys per switch	Key removable in position 1 (off) only or 1 and 4
Front panel mount, module fits from behind	Solder switch terminals PCB version available	Max panel thickness 3mm with standard drive shaft longer drive shafts available for thicker panel fixing



**BRACKETED MODULE**



**Recommended hole size**



**2 POLE OFF – ON****2 POLE CHANGEOVER (NOT APPROVED)****ORDERING CODE – BRACKETED MODULE – Common SAME KEY**

SWITCH	KEY WITHDRAWAL POSITIONS	ORDER CODE
2 POLE OFF-ON	0° and 90° (1+4)	DBSL-7-A-S
	0° only (1)	DBSL-7-B-S
2 POLE CHANGEOVER	0° and 90° (1+4)	DBSL-7-C-S
	0° only (1)	DBSL-7-D-S

**ORDERING CODE – BRACKETED MODULE - DIFFER KEY**

SWITCH	KEY WITHDRAWAL POSITIONS	ORDER CODE
2 POLE OFF-ON	0° and 90° (1+4)	DBSL-7-A-D
	0° only (1)	DBSL-7-B-D
2 POLE CHANGEOVER	0° and 90° (1+4)	DBSL-7-C-D
	0° only (1)	DBSL-7-D-D