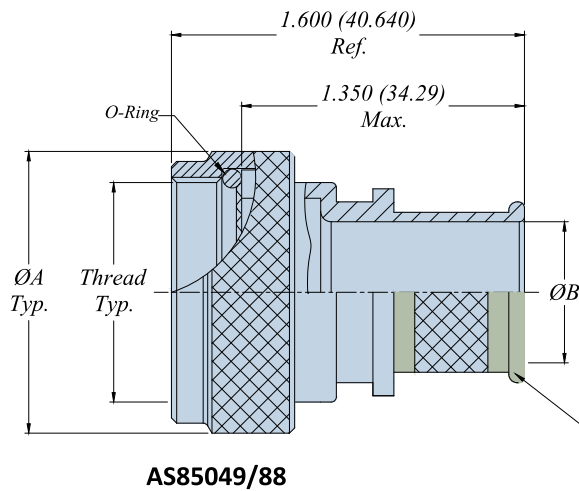


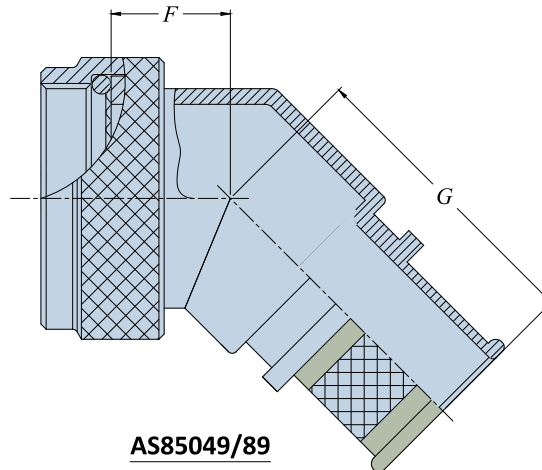
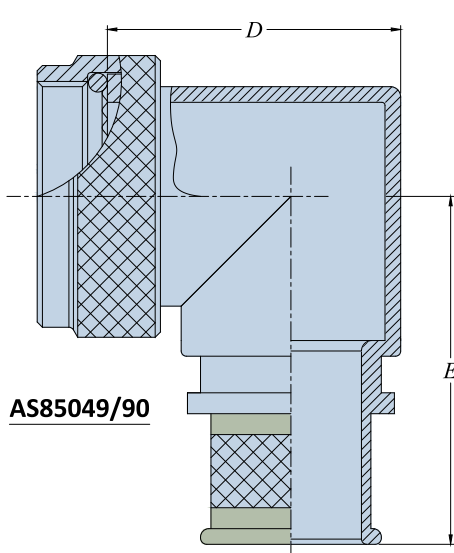
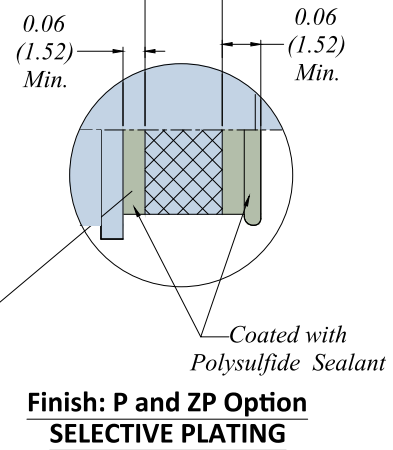
AS85049/88, AS85049/89, AS85049/90, Bandlock Adapter, Straight, 45° and 90° Profile Self-locking, Shield Band Termination (EMI/RFI) Shrink Boot Accommodation

Connector Group : L

FOR MIL-DTL-38999 SERIES III AND IV
CONNECTORS



Surface for AS85049/128
Shield Termination Band
Free Of Cadmium / Zinc



REQUIREMENTS

1. All Requirements shall consist of this document and the latest issue of AS85049.
2. Interface dimensions: Shall conform to AS85049, figure 2
3. Cadmium, zinc, nickel, or pure dense electrodeposited aluminum / nickel interface shall be coated with polysulfide sealant.
4. Material and finish : In accordance with AS85049
5. Dimensions are in Inches and apply after plating.

AS85049/82, AS85049/83, AS85049/84,

Bandlock Adapter, Straight, 45° and 90° Profile Self-locking,
Shield Band Termination (EMI/RFI) Shrink Boot Accommodation

PART NUMBERING			
M85049/88-14W02			
M85049/88-	14	W	02
M85049/82- = Straight M85049/83- = 45° M85049/84- = 90°	Shell Size Refer Table-1 (08 to 24)	Finish (Material: Aluminium Alloy) N = Electroless Nickel W = Cadmium Plive Drab Z = Zinc Nickel P = Cadmium Olive Drab over Elecreoless Nickel Selective Plating ZP = Zinc Nickel over Electroless Nickel Selective Plating	Entry Size Refer Table-2 (02/03)

TABLE-1 : SHELL SIZE AND DIMENSIONS

SHELL SIZE	V THREAD CLASS 2B	A MAX DIA		D MAX		E MAX		F MAX		G MAX	
		INCH	MM	INCH	MM	INCH	MM	INCH	MM	INCH	MM
9	M12X1.0-6H	0.858	21.79	1.375	34.93	1.42	35.99	1.010	25.65	1.160	29.46
11	M15X1.0-6H	0.984	24.99	1.437	36.50	1.48	37.59	1.030	26.16	1.190	30.23
13	M18X1.0-6H	1.157	29.39	1.562	39.67	1.55	39.45	1.060	26.92	1.210	30.73
15	M22X1.06H	1.279	32.49	1.687	42.85	1.61	41.00	1.080	27.43	1.240	31.50
17	M25X1.0-H	1.406	35.71	1.750	44.45	1.68	42.62	1.110	28.19	1.260	32.00
19	M28X1.0-6H	1.516	38.51	1.875	47.63	1.77	45.03	1.120	28.45	1.270	32.26
21	M31X1.0-6H	1.641	41.68	1.938	49.23	1.80	45.62	1.150	29.21	1.300	33.02
23	M34X1.0-6H	1.768	44.91	2.062	52.37	1.86	47.22	1.170	29.72	1.330	33.78
25	M37X1.06H	1.889	47.98	2.125	53.98	1.92	48.74	1.200	30.48	1.350	34.29

TABLE 2- : CABLE ENTRY SIZE

SHELL SIZE	B DIA +0.25(0.64)/-0.10(0.25) ENTRY SIZE			
	02		03	
	INCH	MM	INCH	MM
9	N/A	N/A	0.25	6.40
11	N/A	N/A	0.31	7.90
13	0.31	7.90	0.44	11.10
15	0.44	11.11	0.56	14.30
17	0.50	12.70	0.63	15.90
19	0.63	15.90	0.75	19.10
21	0.63	15.90	0.81	20.60
23	0.69	17.50	0.94	23.80
25	0.75	19.10	1.00	25.40