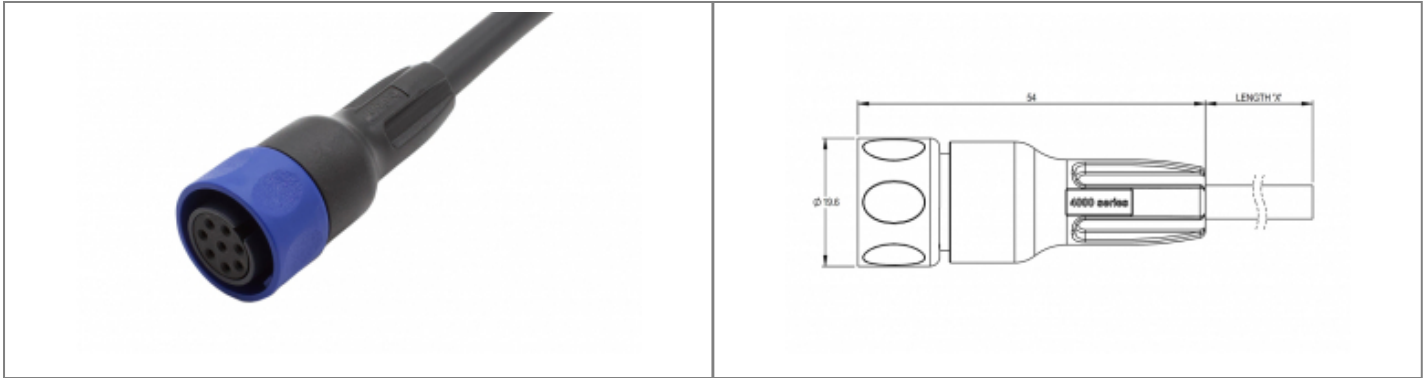


PXP4000/002/12S Datasheet

Product Name // Pre-wired Flex Cable Connector - 2m - 12 Contacts - Socket

[View Product Page](#)


// Product Description:

- ⬡ Pre-Wired Flex Cable Connector
- ⬡ Water and dustproof to IP68 when mated with compatible connector
- ⬡ 4000 Series Buccaneer to blunt cut wire
- ⬡ 2m Cable Length
- ⬡ 12 Contacts - Socket
- ⬡ Sealing Cap available separately to maintain IP rating of unmated connectors
- ⬡ Mates with front and rear panel mounting connectors - and inline cable connectors

// General Information:

Product Display Title:	Pre-Wired Flex Cable Connector
Product Family:	Circular Power Connectors
Product Series:	4000 Series Buccaneer
Approvals:	cUL, UL, VDE
Body Colour:	Black
Body Material:	Polyamide (PA)
Body Material Type:	Plastic Body
Cable Length:	2m
Contact Type:	Socket Contact
Coupling Type:	Bayonet Lock
Current Max:	3A
Diameter Over Coupling Ring Mm:	19.7mm
Flamability Rating:	UL94V-0
Function:	Flex Cable Connector
Ip Rating:	IP66, IP67, IP68
Max Operating Temperature:	+120°C
Min Operating Temperature:	-30°C
Number Of Contacts:	12 Contacts
Rohs Compliant:	Yes
Voltage Max:	160V

// Product PDF Links

[4000 Series power connectors...](#)

// Product 3D CAD Model Links

[PXP4000/002/12S3D CAD Model](#)