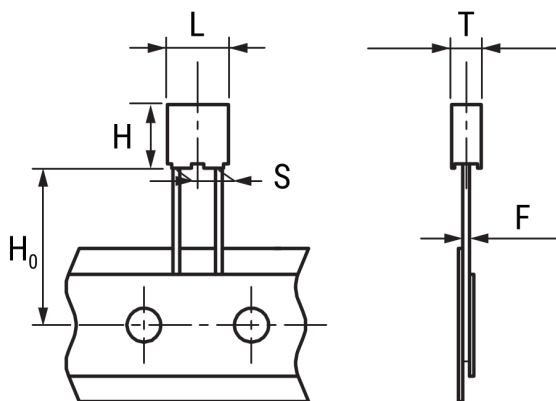


## R82DC3330DQ60J

Aliases (82DC3330DQ60J)

R82, Film, Metallized Polyester Stacked, Automotive Grade, 0.33 uF, 5%, 63 VDC, 85°C, 5mm



Click [here](#) for the 3D model.

### Dimensions

L	7.2mm +0.2mm
H	7.5mm +0.1mm
T	3.5mm +0.1mm
S	5mm +0.6/-0.1mm
H0	18.5mm +/-0.5mm
F	0.5mm +/-0.05mm

### Packaging Specifications

Packaging	Ammo, 360x340x59mm, Box
Packaging Quantity	2500

### General Information

Series	R82
Dielectric	Metallized Polyester Stacked
Style	Radial
Features	Automotive Grade, DC Multipurpose Applications
RoHS	Yes
Lead	Wire Leads
Qualifications	AEC-Q200
AEC-Q200	Yes
Typical Component Weight	0.311 g
Miscellaneous	Above 85C DC And AC Voltage Derating Is 1.25%/C.

### Specifications

Capacitance	0.33 uF
Capacitance Tolerance	5%
Voltage DC	63 VDC
Voltage AC	40 VAC
Temperature Range	-55/+105°C
Rated Temperature	85°C
Dissipation Factor	0.8% 1kHz, 1.2% 10kHz
Insulation Resistance	15 GOhms
Max dV/dt	160 V/us
Inductance	7 nH