

22 Series

Mechanical Rotary Counter



The Model 22 series of compact mechanical rotary counters is specifically designed for length measurement equipment. These counters are available in four-digit and five-digit models and can measure in ratios of 1:10, feet and inches, or meters and decimeters. Designed to deliver reliable and accurate measurements in industrial applications, their compact design makes them suitable for integration into various instruments requiring precise length tracking and measurement.

Key Features

- Compact size
- 4 and 5 figures
- Reliable, long life
- Range includes solid drive shaft and rotary pin drive models
- Designed to be used with standard 1 foot diameter wheels for length measurement applications

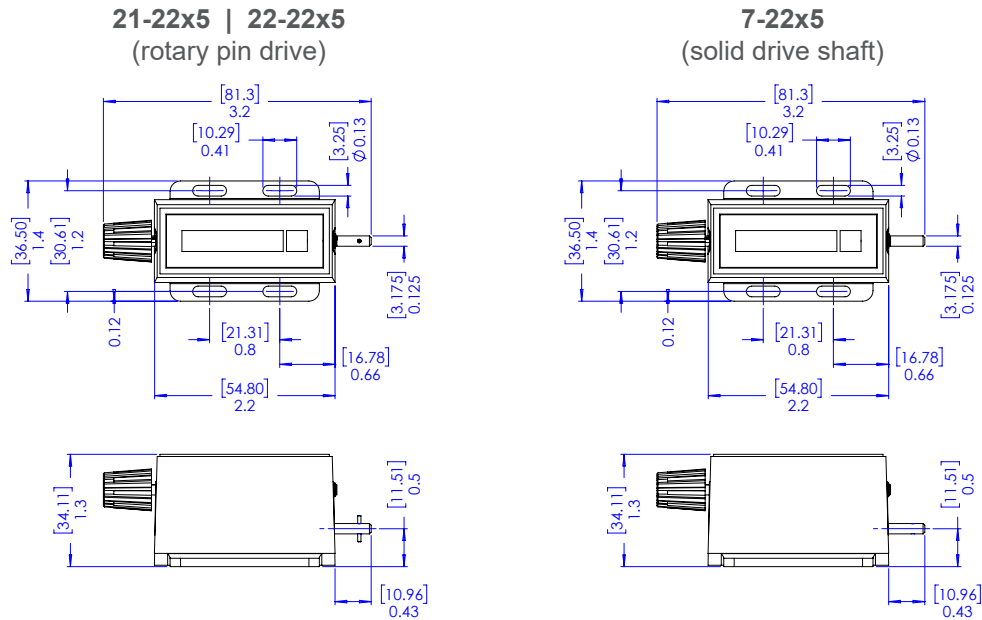
Applications

- Production Equipment
- Spooling
- Positioning

Specification

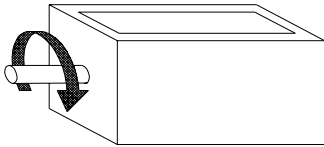
Figures	7-22x5: 5 figures 0.19" [5mm] high white on black 21-22x5: 4 figures 0.19" [5mm] high white on black [FT] and 1 figure 0.15" [4mm] high red on white [IN] 22-22x5: 3 figures 0.19" [5mm] high white on black [M] and 1 figure 0.19" [5mm] high red on white [DM]
Reset	Knob
Speed	500 revolutions/minute
Rotation	Top-coming or top-going
Shaft Extension	Right-hand or left-hand
Shaft Diameter	0.125" [3.2mm]
Ratio	7-22x5: 1 rotation = 10 counts 21-22x5: 1 rotation = 1 feet (when used with a 1ft diameter wheel) 22-22x5: 1 rotation = 1 meter (when used with a 1ft diameter wheel)
Operating Life	Beyond 10 million counts
Temp. Range	-15°F to +140°F [-26°C to +60°C]
Weight	1.5 oz. [43g]

Dimensions

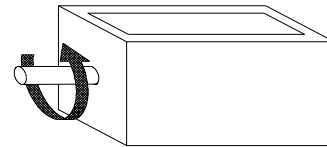


Mechanical Rotation

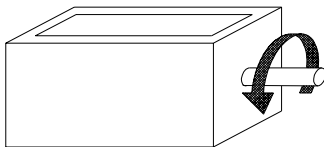
Left-hand top-coming:
(rotation #1)



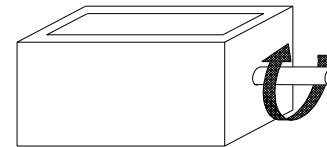
Left-hand top-going:
(rotation #2)



Right-hand top-coming:
(rotation #3)



Right-hand top-going:
(rotation #4)



Part Numbers:

7-2215	Left-hand , top coming, add subtract, solid drive shaft
7-2235	Right-hand , top coming, add subtract, solid drive shaft
7-2245	Right-hand , top going, add subtract, solid drive shaft
21-2235	Right-hand , top coming, add subtract, Feet & Inches, rotary pin drive
21-2245	Right-hand , top going, add subtract, Feet & Inches, rotary pin drive
22-2235	Right-hand , top coming, add subtract, Meters & DM, rotary pin drive