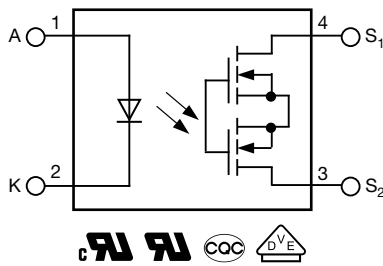


## 1 Form A Solid-State Relay



### DESCRIPTION

The VOR1060M4 is an optically isolated 1 form A solid-state relay in a surface-mount 4 pin SOP package. This 1 form A opto-isolated relay comes in a low profile SOP-4 package making it suitable for space constrained high voltage designs.

### Note

- For automotive qualification please get in touch with our local sales

### FEATURES

- Load voltage 600 V
- Load current 50 mA
- Isolation voltage 3750 V<sub>RMS</sub>
- Low on resistance R<sub>ON</sub> = 40 Ω (typ.)
- Fast switching:  
t<sub>on</sub> = 0.3 ms (typ.), t<sub>off</sub> = 0.15 ms (typ.)
- Low leakage current I<sub>LEAK</sub> = 2 nA (typ.)
- Material categorization:  
for definitions of compliance please see [www.vishay.com/doc?99912](http://www.vishay.com/doc?99912)



**RoHS**  
COMPLIANT  
HALOGEN  
**FREE**  
**GREEN**  
(5-2008)

### APPLICATIONS

- Hybrid / electric vehicle applications
- Battery management
- Security systems
- Instrumentation
- Industrial controls

### AGENCY APPROVALS

- UL (pending)
- cUL (pending)
- DIN EN 60747-5-5 (VDE 0884-5) (pending)
- CQC (pending)

ORDERING INFORMATION	
<div style="display: flex; justify-content: space-around; align-items: center;"> <div style="border: 1px solid black; padding: 2px 5px;">V</div> <div style="border: 1px solid black; padding: 2px 5px;">O</div> <div style="border: 1px solid black; padding: 2px 5px;">R</div> <div style="border: 1px solid black; padding: 2px 5px;">1</div> <div style="border: 1px solid black; padding: 2px 5px;">0</div> <div style="border: 1px solid black; padding: 2px 5px;">6</div> <div style="border: 1px solid black; padding: 2px 5px;">0</div> <div style="border: 1px solid black; padding: 2px 5px;">M</div> <div style="border: 1px solid black; padding: 2px 5px;">4</div> <div style="border: 1px solid black; padding: 2px 5px;">#</div> </div> <p style="text-align: center; margin-top: 5px;">PART NUMBER</p>	<p>TAPE AND REEL</p>
<b>PACKAGE</b>	<b>UL, cUL, CQC, VDE, FIMKO</b>
SOP-4, tape and reel	VOR1060M4T

<b>ABSOLUTE MAXIMUM RATINGS</b> ( $T_{amb} = 25\text{ }^{\circ}\text{C}$ , unless otherwise specified)				
PARAMETER	CONDITIONS	SYMBOL	VALUE	UNIT
<b>INPUT</b>				
LED continuous forward current		$I_F$	50	mA
LED reverse voltage		$V_R$	5	V
<b>OUTPUT</b>				
DC or peak AC load voltage		$V_L$	600	V
Continuous load current		$I_L$	50	mA
<b>SSR</b>				
Total power dissipation		$P_{diss}$	550	mW
Ambient temperature range		$T_{amb}$	-40 to +125	$^{\circ}\text{C}$
Storage temperature range		$T_{stg}$	-40 to +150	$^{\circ}\text{C}$
Soldering temperature	$t \leq 10\text{ s max.}$	$T_{sld}$	260	$^{\circ}\text{C}$

**Note**

- Stresses in excess of the absolute maximum ratings can cause permanent damage to the device. Functional operation of the device is not implied at these or any other conditions in excess of those given in the operational sections of this document. Exposure to absolute maximum ratings for extended periods of the time can adversely affect reliability.

<b>ELECTRICAL CHARACTERISTICS</b> ( $T_{amb} = 25\text{ }^{\circ}\text{C}$ , unless otherwise specified)						
PARAMETER	TEST CONDITION	SYMBOL	MIN.	TYP.	MAX.	UNIT
<b>INPUT</b>						
LED forward current, switch turn-on	$I_L = 50\text{ mA}$ , $t_{delay} = 10\text{ ms}$	$I_{Fon}$	-	2	5	mA
LED forward current, switch turn-off	$I_L = 1\text{ }\mu\text{A}$	$I_{Foff}$	0.1	0.2	-	mA
LED reverse current	$V_R = 5\text{ V}$	$I_R$	-	0.04	1.3	$\mu\text{A}$
LED forward voltage	$I_F = 10\text{ mA}$	$V_F$	-	1.4	1.6	V
LED reverse voltage	$I_R = 10\text{ }\mu\text{A}$	$V_R$	5	10	-	V
<b>OUTPUT</b>						
On-resistance	$I_F = 10\text{ mA}$ , $I_L = 50\text{ mA}$	$R_{ON}$	-	40	70	$\Omega$
Off-state leakage current	$I_F = 0\text{ mA}$ , $V_L = 600\text{ V}$	$I_{LEAK}$	-	0.002	1	$\mu\text{A}$

**Note**

- Minimum and maximum values are testing requirements. Typical values are characteristics of the device and are the result of engineering evaluations. Typical values are for information only and are not part of the testing requirements.

<b>SWITCHING CHARACTERISTICS</b>						
PARAMETER	TEST CONDITION	SYMBOL	MIN.	TYP.	MAX.	UNIT
Turn-on time	$I_F = 10\text{ mA}$ , $R_L = 200\text{ }\Omega$ , $I_L = 50\text{ mA}$	$t_{on}$	-	0.3	3	ms
Turn-off time	$I_F = 10\text{ mA}$ , $R_L = 200\text{ }\Omega$ , $I_L = 50\text{ mA}$	$t_{off}$	-	0.15	0.5	ms

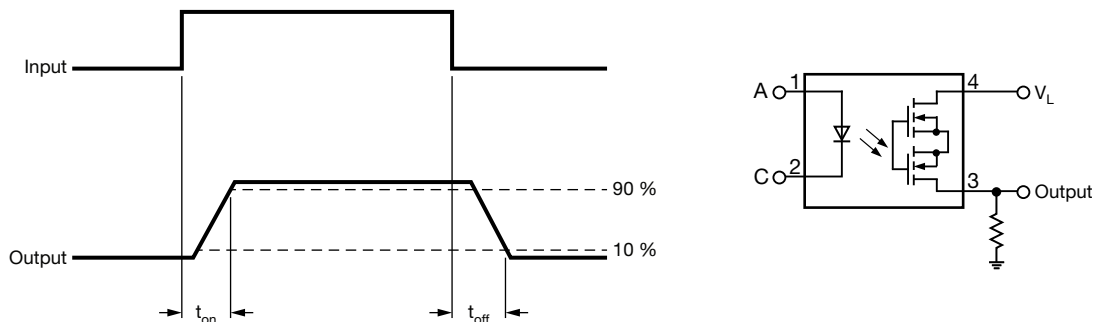


Fig. 1 - Timing Schematic



SAFETY AND INSULATION RATINGS				
PARAMETER	TEST CONDITION	SYMBOL	VALUE	UNIT
Climatic classification	According to IEC 68 part 1		55 / 125 / 21	
Pollution degree	According to DIN VDE 0109		2	
Comparative tracking index	Insulation group IIIa	CTI	175	
Maximum rated withstanding isolation voltage	According to UL1577, t = 1 min	V <sub>ISO</sub>	3750	V <sub>RMS</sub>
Maximum transient isolation voltage	According to DIN EN 60747-5-5	V <sub>IOTM</sub>	4800	V <sub>peak</sub>
Maximum repetitive peak isolation voltage	According to DIN EN 60747-5-5	V <sub>IORM</sub>	707	V <sub>peak</sub>
Insulation resistance	T <sub>amb</sub> = 25 °C, V <sub>IO</sub> = 500 V	R <sub>IO</sub>	≥ 10 <sup>12</sup>	Ω
	T <sub>amb</sub> = 125 °C, V <sub>IO</sub> = 500 V	R <sub>IO</sub>	≥ 10 <sup>10</sup>	Ω
	T <sub>amb</sub> = 150 °C, V <sub>IO</sub> = 500 V	R <sub>IO</sub>	≥ 10 <sup>9</sup>	Ω
Output safety power		P <sub>SO</sub>	750	mW
Input safety current		I <sub>SI</sub>	200	mA
Input safety temperature		T <sub>S</sub>	150	°C
Clearance distance			≥ 5.2	mm
Creepage distance			≥ 5.2	mm

Note

- This SSR is suitable for “safe electrical insulation” only within the safety ratings. Compliance with the safety ratings shall be ensured by means of protective circuits.

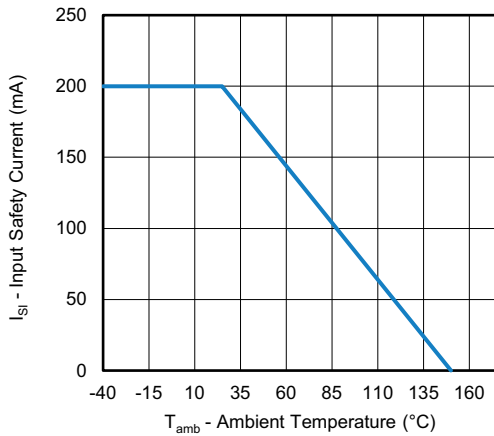


Fig. 2 - Safety Input Current vs. Ambient Temperature

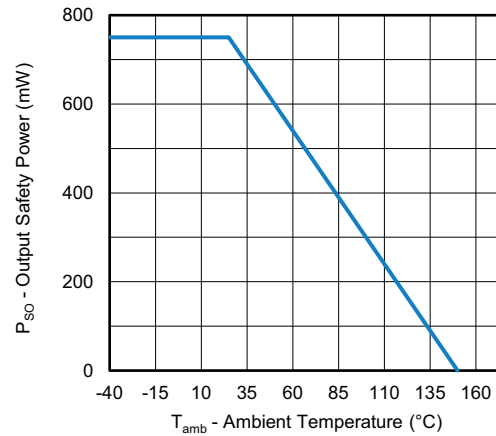


Fig. 3 - Safety Power Dissipation vs. Ambient Temperature



TYPICAL CHARACTERISTICS (T<sub>amb</sub> = 25 °C, unless otherwise specified)

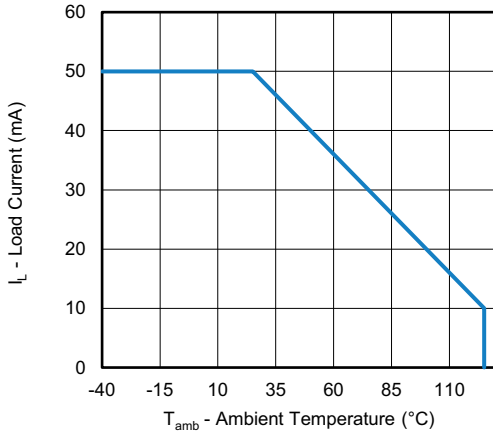


Fig. 4 - Load Current vs. Ambient Temperature

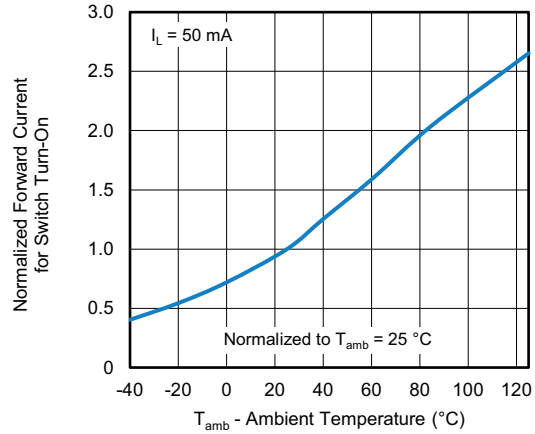


Fig. 7 - Normalized Forward Current for Switch Turn-On vs. Ambient Temperature

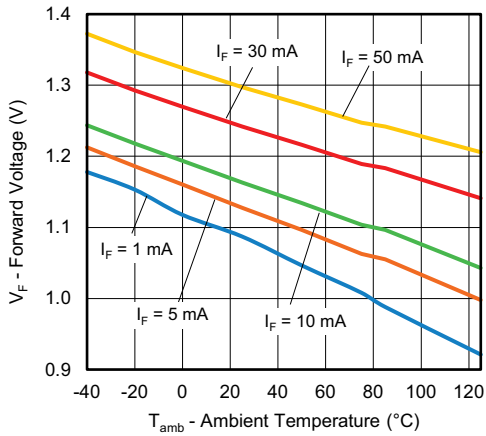


Fig. 5 - Forward Voltage vs. Ambient Temperature

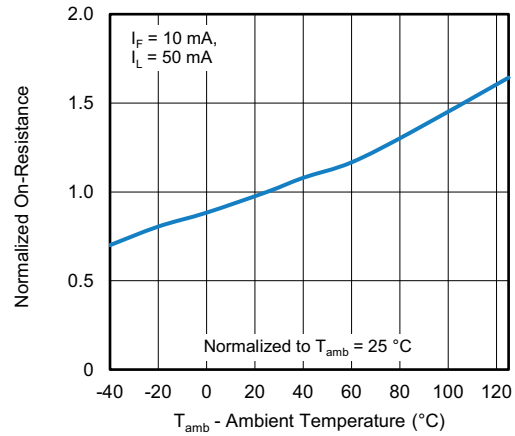


Fig. 8 - Normalized On-Resistance vs. Ambient Temperature

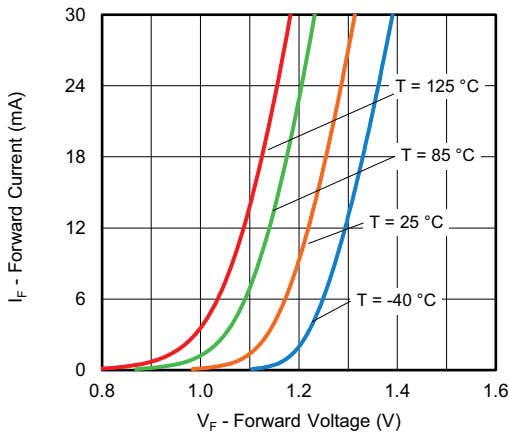


Fig. 6 - Forward Current vs. Forward Voltage

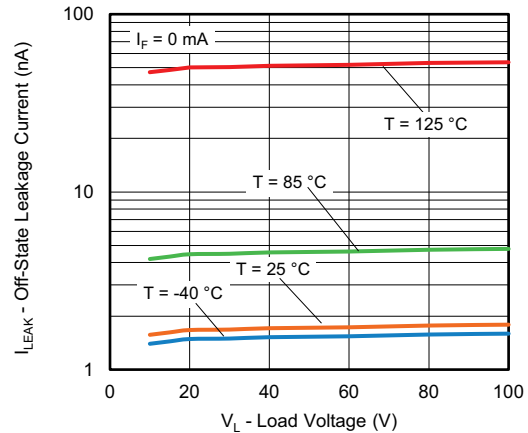


Fig. 9 - Off-State Leakage Current vs. Load Voltage

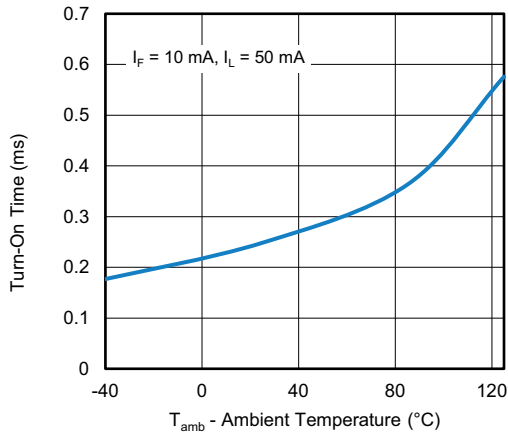


Fig. 10 - Turn-On Time vs. Ambient Voltage

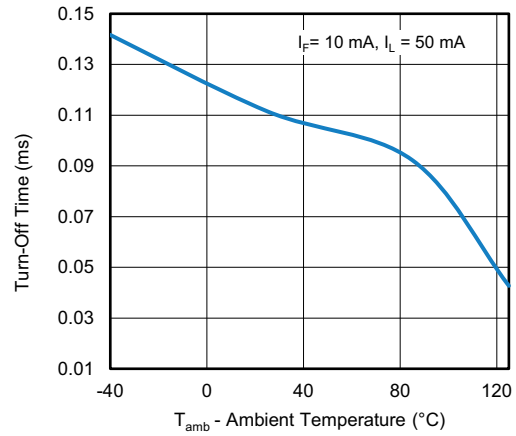


Fig. 12 - Turn-Off Time vs. Ambient Temperature

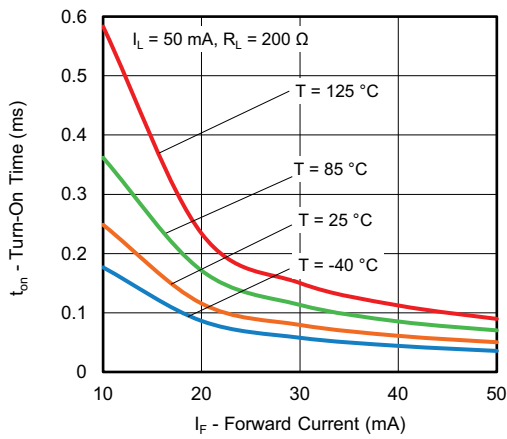


Fig. 11 - Turn-On Time vs. Forward Current

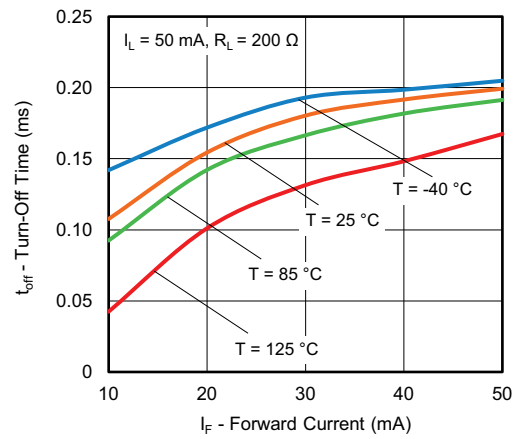


Fig. 13 - Turn-Off Time vs. Forward Current

**PACKAGE DIMENSIONS** (in millimeters)

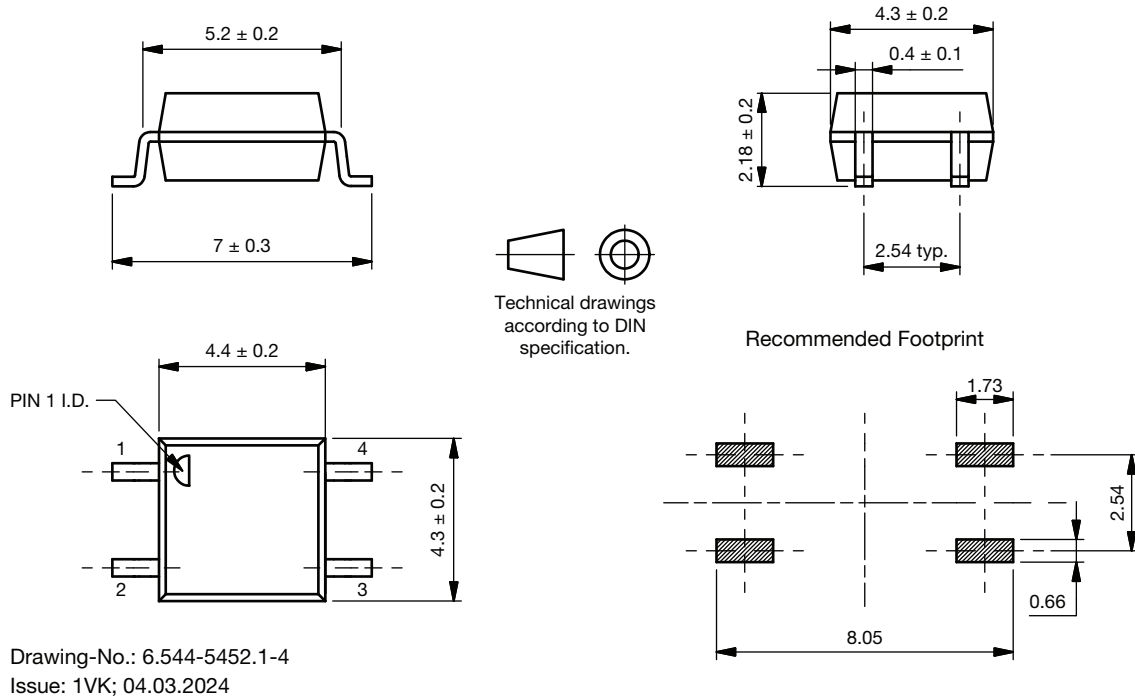


Fig. 14 - Package Drawings

**PACKAGE MARKING**

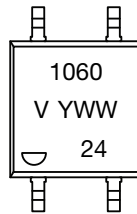
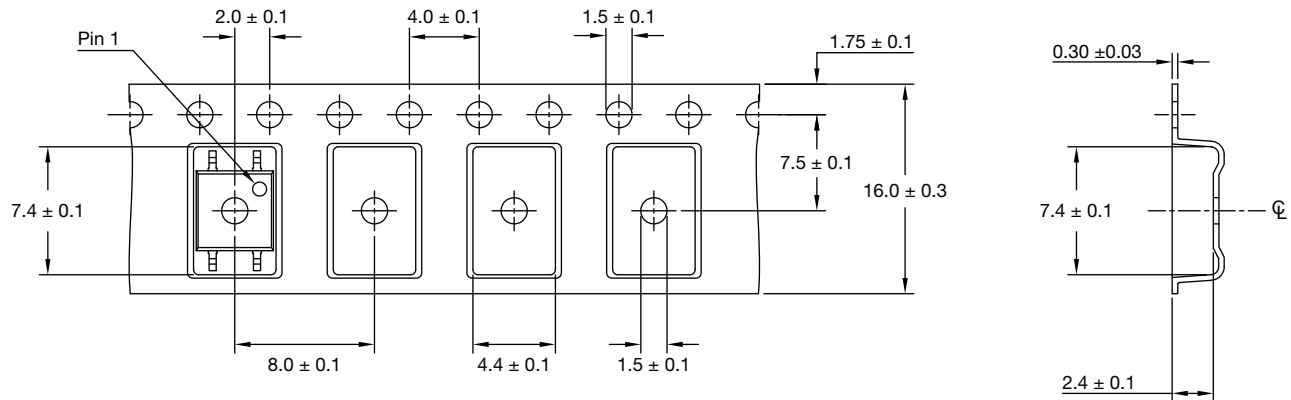


Fig. 15 - VOR1060M4

**Notes**

- YWW = date code
- Tape and reel suffix (T) is not part of the package marking

**TAPE AND REEL INFORMATION** (in millimeters)

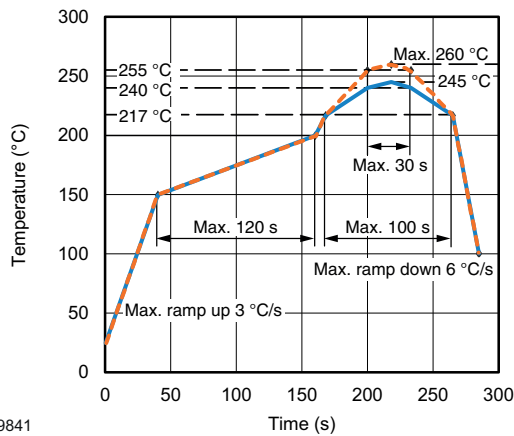


**Note:**

- Cumulative tolerance of 10 sprocket holes is 0.20

Fig. 16 - VOR1060M4T (3000 pieces on reel)

**SOLDER PROFILES**



19841

Fig. 17 - Lead (Pb)-free Reflow Solder Profile According to J-STD-020 for SMD Devices

**HANDLING AND STORAGE CONDITIONS**

ESD level: HBM class 2

Floor life: 168 h

Conditions:  $T_{amb} < 30\text{ }^{\circ}\text{C}$ , RH < 60 %

Moisture sensitivity level 3, according to J-STD-020



## Disclaimer

ALL PRODUCT, PRODUCT SPECIFICATIONS AND DATA ARE SUBJECT TO CHANGE WITHOUT NOTICE TO IMPROVE RELIABILITY, FUNCTION OR DESIGN OR OTHERWISE.

Vishay Intertechnology, Inc., its affiliates, agents, and employees, and all persons acting on its or their behalf (collectively, "Vishay"), disclaim any and all liability for any errors, inaccuracies or incompleteness contained in any datasheet or in any other disclosure relating to any product.

Vishay makes no warranty, representation or guarantee regarding the suitability of the products for any particular purpose or the continuing production of any product. To the maximum extent permitted by applicable law, Vishay disclaims (i) any and all liability arising out of the application or use of any product, (ii) any and all liability, including without limitation special, consequential or incidental damages, and (iii) any and all implied warranties, including warranties of fitness for particular purpose, non-infringement and merchantability.

Statements regarding the suitability of products for certain types of applications are based on Vishay's knowledge of typical requirements that are often placed on Vishay products in generic applications. Such statements are not binding statements about the suitability of products for a particular application. It is the customer's responsibility to validate that a particular product with the properties described in the product specification is suitable for use in a particular application. Parameters provided in datasheets and / or specifications may vary in different applications and performance may vary over time. All operating parameters, including typical parameters, must be validated for each customer application by the customer's technical experts. Product specifications do not expand or otherwise modify Vishay's terms and conditions of purchase, including but not limited to the warranty expressed therein.

Hyperlinks included in this datasheet may direct users to third-party websites. These links are provided as a convenience and for informational purposes only. Inclusion of these hyperlinks does not constitute an endorsement or an approval by Vishay of any of the products, services or opinions of the corporation, organization or individual associated with the third-party website. Vishay disclaims any and all liability and bears no responsibility for the accuracy, legality or content of the third-party website or for that of subsequent links.

Vishay products are not designed for use in life-saving or life-sustaining applications or any application in which the failure of the Vishay product could result in personal injury or death unless specifically qualified in writing by Vishay. Customers using or selling Vishay products not expressly indicated for use in such applications do so at their own risk. Please contact authorized Vishay personnel to obtain written terms and conditions regarding products designed for such applications.

No license, express or implied, by estoppel or otherwise, to any intellectual property rights is granted by this document or by any conduct of Vishay. Product names and markings noted herein may be trademarks of their respective owners.