

UCMH90-0001#

“#” at the end indicates the package specification code.



< List of part numbers with package codes >

UCMH90-0001=P3

Applications

Unsuitable Applications	Please be sure to read and comply with these "Precautions for use."
Specific Applications	Automotive powertrain/safety equipment, Automotive infotainment/comfort equipment, Medical equipment [GHTF A/B/C] except for implant & surgery & auto injector Please refer to Our Website and specifications, etc. for information about the performance, functions, quality, management, and safety required for the above applications, and use Products after confirming the performance and reliability of the actual Product.
Recommended Applications	Automotive powertrain/safety equipment

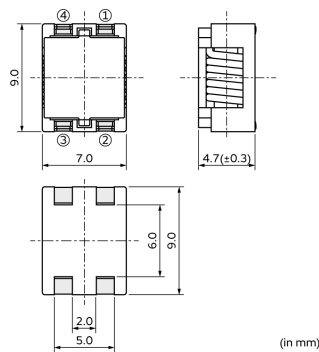
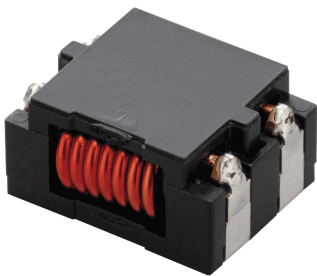
Packaging Information

Packaging	Specifications	Standard Packing Quantity
=P3	330mm Embossed Tape	750

Features

1. Excellent common mode noise removal effect in wide frequency band.
2. Supports up to 5.0 A and can be used for power lines.
3. Surface mount type.
4. Can be used in temperature environments of -40°C to 150°C.

Appearance & Shape



Attention

1. This datasheet is downloaded from the website of Murata Manufacturing Co., Ltd. Therefore, its specifications are subject to change or our products in it may be discontinued without advance notice. Please check with our sales representatives or product engineers before ordering.

2. This datasheet has only typical specifications because there is no space for detailed specifications.

Therefore, please review our product specifications or consult the approval sheet for product specifications before ordering.

UCMH90-0001#

“#” at the end indicates the package specification code.



Specifications

Brand	Murata
-------	--------

Shape	SMD
Size Code (in mm)	9070
Size Code (in inch)	3527
Length	9.0mm
Length Tolerance	±0.3mm
Width	7.0mm
Width Tolerance	±0.3mm
Thickness	4.7mm
Thickness Tolerance	±0.3mm
Common Mode Impedance (at 100MHz)	700Ω
Common Mode Impedance (at 100MHz) Tolerance	(Typ.)
Rated Current	5A
Derating of Rated Current	Yes (Over 110°C) *For details, please check the derating diagram.
Rated Voltage	100Vdc
Withstanding Voltage	100Vdc
DC Resistance(max.)	0.01Ω
DC Resistance	0.01Ω max.
Insulation Resistance(min.)	100MΩ
Operating Temperature Range	-40°C to 150°C
Mass(typ.)	0.8345g
Number of Circuit	1
Operating Temperature Range(Self-temperature rise is included)	Yes

Attention

1.This datasheet is downloaded from the website of Murata Manufacturing Co., Ltd. Therefore, it's specifications are subject to change or our products in it may be discontinued without advance notice. Please check with our sales representatives or product engineers before ordering.

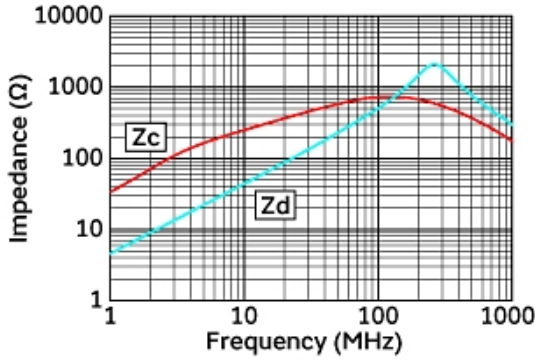
2.This datasheet has only typical specifications because there is no space for detailed specifications.

Therefore, please review our product specifications or consult the approval sheet for product specifications before ordering.

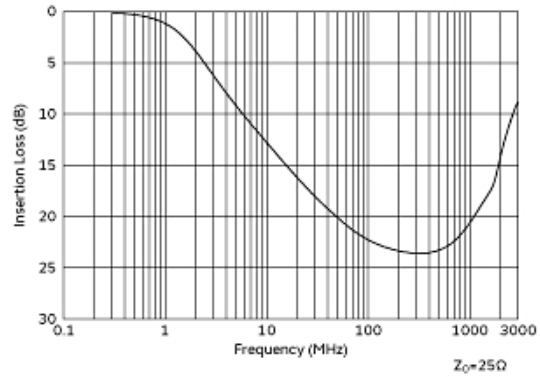
UCMH90-0001#

“#” at the end indicates the package specification code.

Product Data



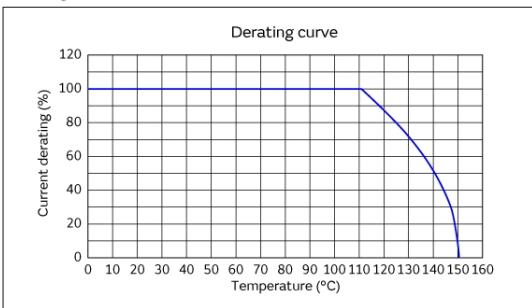
Impedance-Frequency Characteristics



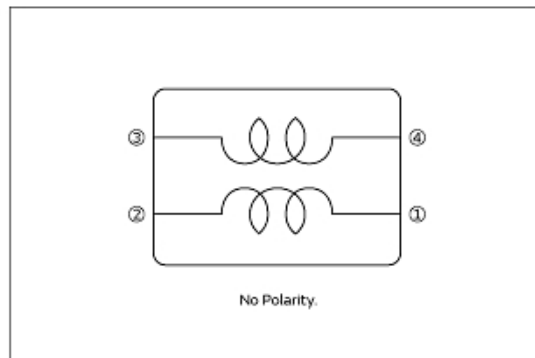
Common Mode Transmission Characteristics (Typical Value)

Max. current (DC, AC) as function of product temperature (derating curve).

Derating of Rated Current



Derating of Rated Current



Connections

Attention

1.This datasheet is downloaded from the website of Murata Manufacturing Co., Ltd. Therefore, it's specifications are subject to change or our products in it may be discontinued without advance notice. Please check with our sales representatives or product engineers before ordering.

2.This datasheet has only typical specifications because there is no space for detailed specifications.

Therefore, please review our product specifications or consult the approval sheet for product specifications before ordering.