

# / DISPLAYPORT & EMMC HIGH SPEED I/O MODULE

AVNET®

This high-speed I/O module is designed for the ZUBoard 1CG development board and features Micron eMMC memory and two lanes of high resolution DisplayPort video output. This add-on board, with its combination of DisplayPort video and eMMC SSD storage, adds essential features of high definition video and rugged bootable storage to the ZUBoard 1CG.

A Vivado project PetaLinux BSP with these features enabled is provided, allowing users to quickly add a PC-like user experience to their ZUBoard 1CG dev board.

## Features

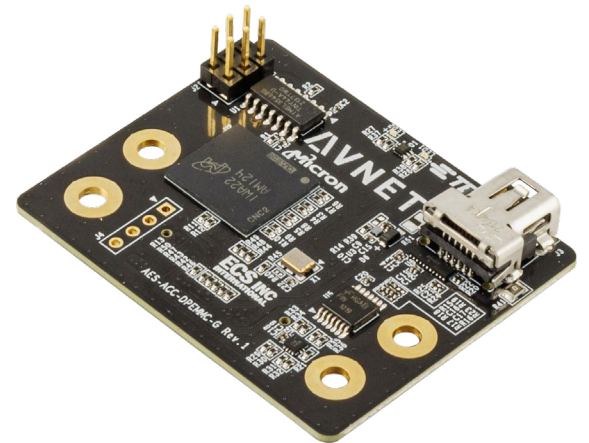
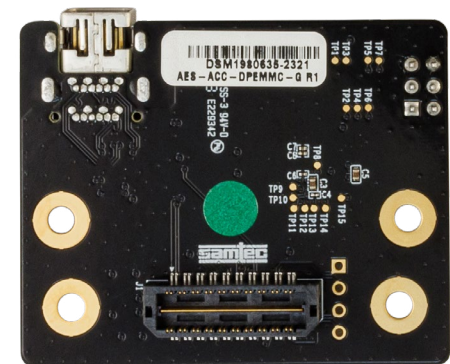
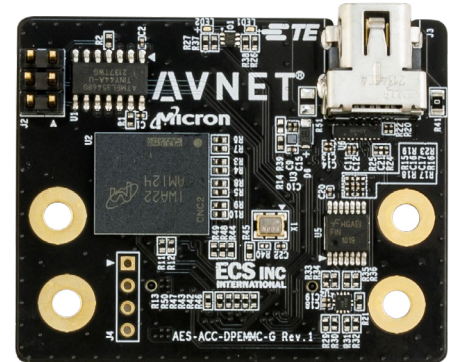
- 32 GB of eMMC memory
- 2 lanes of DisplayPort video output  
(maximum resolution 4K x 2K @ 30fps)
- 2 GPIO LEDs

## Kit includes

- DP-eMMC Module

## Target apps

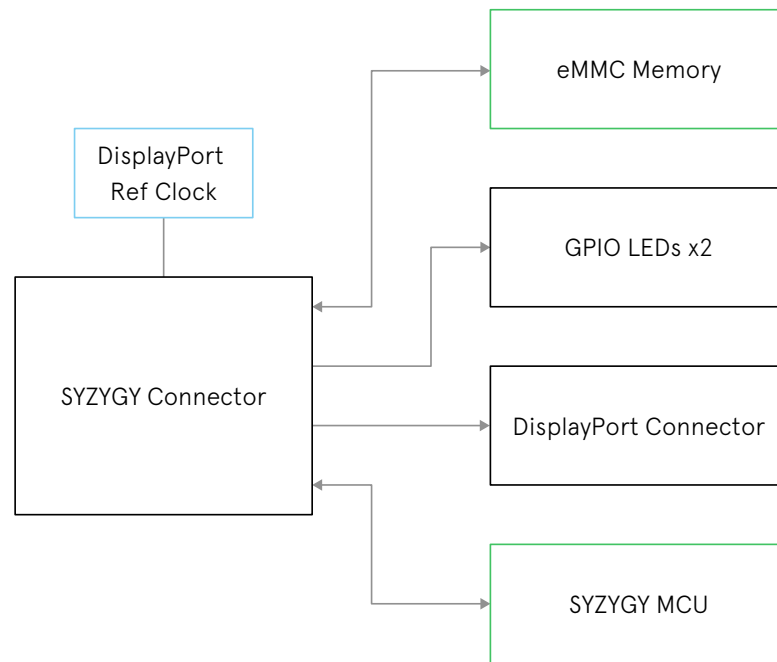
- IoT
- AI



DESIGNED  
BY AVNET

For more information on the DisplayPort & eMMC High Speed I/O Module, visit: [avnet.me/dpemmc](https://avnet.me/dpemmc)  
To purchase the DisplayPort & eMMC High Speed I/O Module, visit: [avnet.me/dpemmc-pdp](https://avnet.me/dpemmc-pdp)

## Block diagram



## Featured manufacturers



## Parts

| Part number      | Description                              | Price and availability  |
|------------------|--|---|
| AES-ACC-DPEMMC-G | DisplayPort & eMMC High Speed I/O Module | <a href="https://avnet.me/dpemmc-pdp">avnet.me/dpemmc-pdp</a> |

## Related parts

| Part number              | Description  | Price and availability  |
|--------------------------|--|---|
| AES-ZUB-1CG-DK-G         | ZUBoard 1CG development board with ZU+ MPSoC (ZU1CG) | <a href="https://avnet.me/zuboard-1cg-pdp">avnet.me/zuboard-1cg-pdp</a> |
| MTFC32GAZAQHD-WT         | Micron 32GB e.MMC Memory                             | <a href="#">See web page</a>  |
| 2129320-3                | TE Connectivity, Display Port Connector              | <a href="#">See web page</a>  |
| QTH-020-01-F-D-DP-A-K-TR | Samtec, High Speed I/O Connector                     | <a href="#">See web page</a>  |
| ECS ECX-L33BN-135.00     | ECS, Inc., LVDS Oscillator                           | <a href="#">See web page</a>  |

Countries available for purchase: Americas, EMEA, Asia, Japan

## Contact information

**North America**  
 2211 S 47<sup>th</sup> Street  
 Phoenix, Arizona 85034  
 United States of America  
 1-800-585-1602

**Europe (Silica)**  
 Gruber Str. 60c  
 85586 Poing  
 Germany  
 +49-8121-77702

**Europe (EBV)**  
 Im Technologypark 2-8  
 85586 Poing  
 Germany  
<http://ebv.com/contact>

**Japan**  
 Yebisu Garden Place Tower, 23F  
 4-20-3 Ebisu, Shibuya-ku  
 Tokyo 150-6023 Japan  
 eval-kits-jp@avnet.com  
 +81-(0)3-5792-8210

**Asia**  
 151 Lorong Chuan  
 #06-03 New Tech Park  
 Singapore 556741  
 amd-xilinxapac@avnet.com  
 +65-6580-6000

1.800.332.8638 / [avnet.com](https://avnet.com)