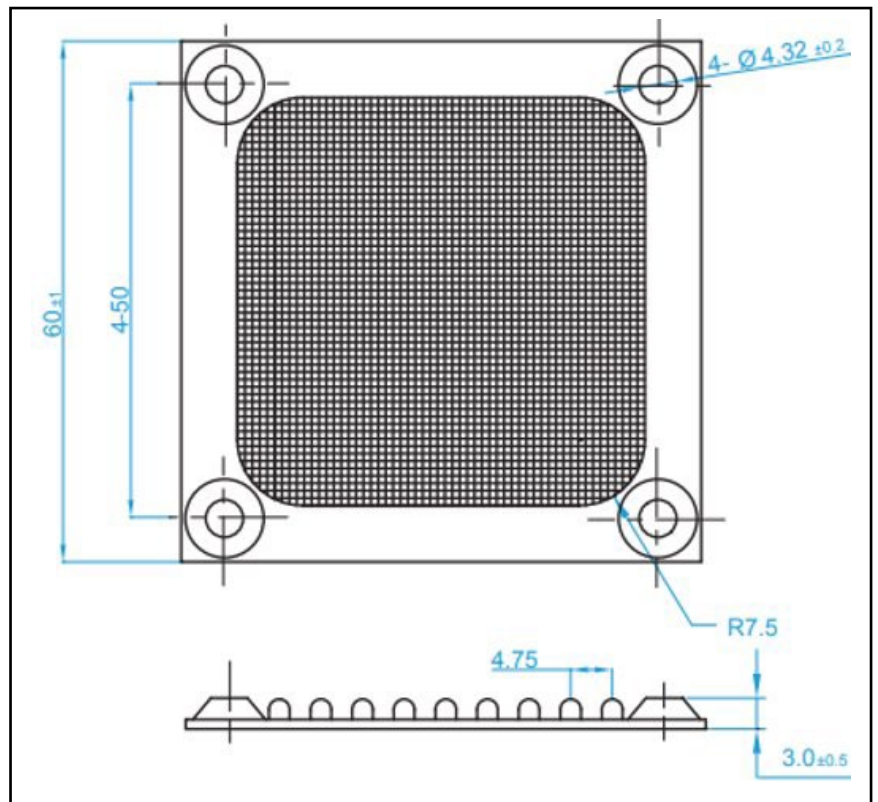


Features

- Aluminium Frame
- Stainless Steel Mesh
- Cleanable/washable
- Fan Filter
- Shields EMI/RFI

Highland Fan Filter Screen

Part Number: HIG-S60



Product Description

- Protects cooling fans from damage caused by dirt and dust build-up and shields from EMI/RFI.
- The Frame is made from 0.6mm natural aluminium, with #24 US mesh (690 micron) filter made from stainless steel for exceptional durability and longevity.
- Designed to fit fans with a frame size of 60mm.
- Fixing centres of 50mm x 50mm ± 0.5 mm, ensuring a perfect fit for your fan.
- RoHS and REACH compliant, ensuring safety and free from hazardous materials.
- Various plating styles are available upon request for a perfect finish.

General Specifications

Guard Type	60mm fan screen
Frame Material	Aluminium
Frame Finish	Cleaning
Mesh Material	Stainless Steel
For Use With	60mm axial fans
Weight (g) per part:	20
Tariff Code:	84149000

Mechanical Specifications

Fan Size	60mm
Fixing Centres	50mm x 50mm
Length	60mm
Width	60mm
Thickness	3mm
Mounting Hole Diameter	4.32mm

Approvals

Compliance/Certifications	RoHS Compliant
----------------------------------	----------------