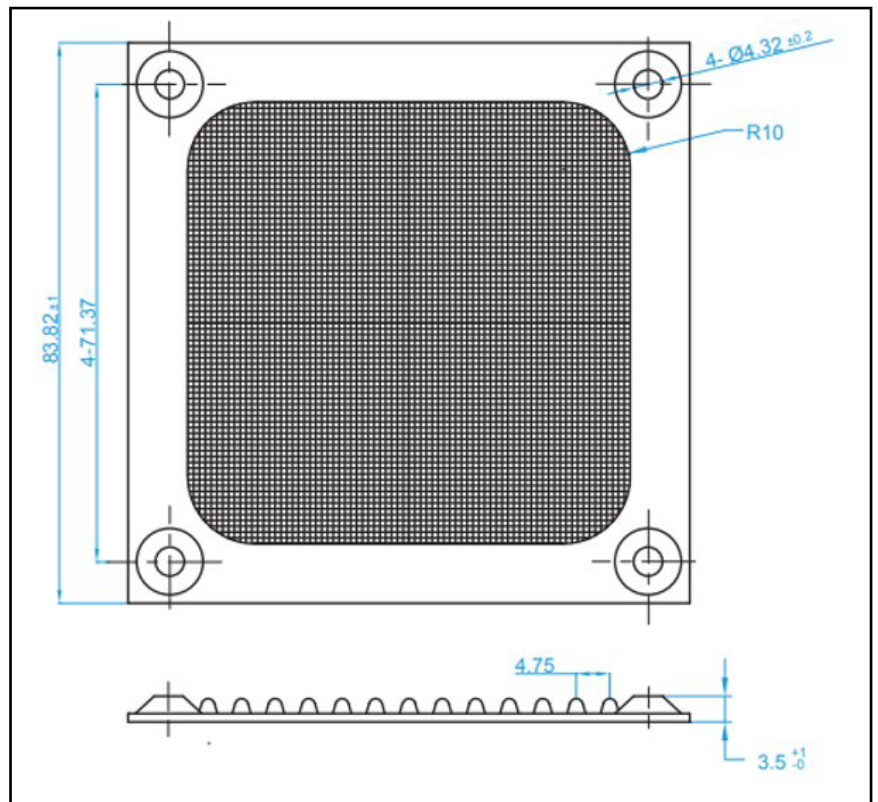


## Features

- Aluminium Frame
- Stainless Steel Mesh
- Cleanable/washable
- Fan Filter
- Shields EMI/RFI

## Highland Fan Filter Screen

Part Number: HIG-S80



## Product Description

- Protects cooling fans from damage caused by dirt and dust build-up and shields from EMI/RFI.
- The Frame is made from 0.6mm natural aluminium, with #24 US mesh (690 micron) filter made from stainless steel for exceptional durability and longevity.
- Designed to fit fans with a frame size of 80mm.
- Fixing centres of 71.37mm x 71.37mm  $\pm$ 0.5mm, ensuring a perfect fit for your fan.
- RoHS and REACH compliant, ensuring safety and free from hazardous materials.
- Various plating styles are available upon request for a perfect finish.

## General Specifications

<b>Guard Type</b>	80mm fan screen
<b>Frame Material</b>	Aluminium
<b>Frame Finish</b>	Cleaning
<b>Mesh Material</b>	Stainless Steel
<b>For Use With</b>	80mm axial fans
<b>Weight (g):</b>	20
<b>Tariff Code:</b>	84149000

## Mechanical Specifications

<b>Fan Size</b>	80mm
<b>Fixing centres</b>	71.37mm x 71.37mm
<b>Length</b>	83.82mm
<b>Width</b>	83.82mm
<b>Thickness</b>	3.5mm
<b>Mounting Hole Diameter</b>	4.32mm

## Approvals

<b>Compliance/Certifications</b>	RoHS Compliant
----------------------------------	----------------